

WORKSHOP SPECIFICATIONS

XL³ 160

DISTRIBUTION CABINETS



XL³ 160 cabinets are “fully modular” cabinets, with 2 to 6 rows of 24 modules supplied ready to use (rails and faceplates fitted).

They are available in 3 versions:

- Class II insulated cabinets, with 2 to 6 rows
- Metal cabinets, with 2 to 6 rows
- Flush-mounting cabinets, with 3 to 6 rows

They can take, depending on the version, DPX³ 160, Vistop up to 160 A, single or three-phase French electricity tariff plates and a “monitored-power” plate. The XL³ 160 cabinet has been designed for ease of wiring and connection. These cabinets provide, amongst other things, a large amount of space for wiring, wide connection areas (200 mm top and bottom faceplates), a removable chassis, clever solutions for cable feedthrough and fixing, fasteners that are common to the whole range... all with a modern design and finish.

LEGAL INFORMATION

Presentation pictures do not always include Personal Protective Equipment (PPE), but this is a legal and regulatory obligation that must be scrupulously respected.

In accordance with its continuous improvement policy, Legrand reserves the right to change the specifications and illustrations without notice. All illustrations, descriptions and technical information included in this document are provided as indications and cannot be held against Legrand.

CONTENTS

Safety instructions	2
Class II insulated cabinets	4
Preparing the cabinets	6
Mounting devices	8
Wiring and connection	10
Installation and finishes	14
Vertical joining	17
Metal cabinets	20
Preparing the cabinets	22
Mounting devices	23
Wiring and connection	24
Installation and finishes	27
Flush-mounting cabinets	30
Preparing the cabinets	32
Flush mounting	33
Mounting devices	34
Wiring and connection	35
Finishes	37
Distribution	38
Supply busbars, terminal blocks, distribution terminals and modular distribution blocks	38
Appendices	41
Fitting key barrels	41
Dimensions	42
Accessories	44

SAFETY

INSTRUCTIONS

General information

- Use only the products and accessories recommended by the Legrand Group in the catalogue, instructions, technical data sheets and all other documents provided by Legrand (hereinafter referred to as «the Documentation») in compliance with the installation rules.
- Improper installation and/or use may result in the risk of arcing in the enclosure, overheating or fire. The enclosures must be used under normal conditions, they must not be subjected to Voltage / Current / Temperature values other than those specified in the Documentation.
- Legrand declines all responsibility for any modification or repair of the equipment making up the enclosure that is not authorized by the Legrand Group, as well as any failure to comply with the rules and recommendations specified by Legrand in the Documentation. In addition, in the cases mentioned above, the warranty granted by Legrand will not be applicable.
- It is necessary to check that the characteristics of the products are appropriate for their environment and use during maintenance operations, and to refer to the Documentation. If you have any questions or require clarification, please contact Legrand Group.
- The installation, use and maintenance of the enclosures and their components must be carried out by qualified, trained and authorized personnel, in accordance with the regulations in force in each country.




RISK OF ELECTRIC SHOCK, BURNS AND EXPLOSION.

- People working on the installation must have the appropriate electrical authorizations for the work to be carried out.
- Wear the PPE (Personal Protective Equipment) necessary to work on live products.
- Respect the safety rules related to electrical work.
- Improper electrical and mechanical use of equipment can be dangerous and may result in personal injury or damage to property.
- Depending on the maintenance operations to be carried out, partial or total power cuts of the enclosure concerned should be planned before any work.
- When performing operations that involve access to the inside of the enclosure, be aware of the risk of burns before touching any products or metal parts.
- Before turning the power back on, make sure that there are no foreign bodies and that all physical protections have been put back in place (e.g.: screens, covers, shields).

Any failure to strictly apply the procedures and to respect these recommendations, could lead to serious risk of accident, endangering people and property (in particular, without limitation, risk of burns, electric shocks, etc.).



 The rules and recommendations in this document are based on our knowledge of the typical conditions of use of our products in the fields of application usually encountered. However, it is always the customer's responsibility to verify and validate that Legrand products are suitable for its installation and use.

The customer must ensure proper installation, maintenance and operation of the equipment to avoid any risk of injury to personnel or damage to property in the event of product failure, especially for applications that require a very high level of safety (e.g., those in which the failure of a component may endanger human life or health).

The rules for storage, handling, installation and maintenance and the appropriate precautions and warnings must be strictly observed and applied.

CLASS II INSULATED CABINETS

XL³ 160 insulated cabinets are cabinets with dimensions optimised for distribution up to 160 A.

These cabinets are divided into:

- "Fully modular" cabinets with 2 to 6 rows. These can take DPX³ 160 and Vistop up to 160 A without the need for any accessories.

- Cabinets with dedicated space and 3 or 4 modular rows, for integrating limited/monitored-power kits.

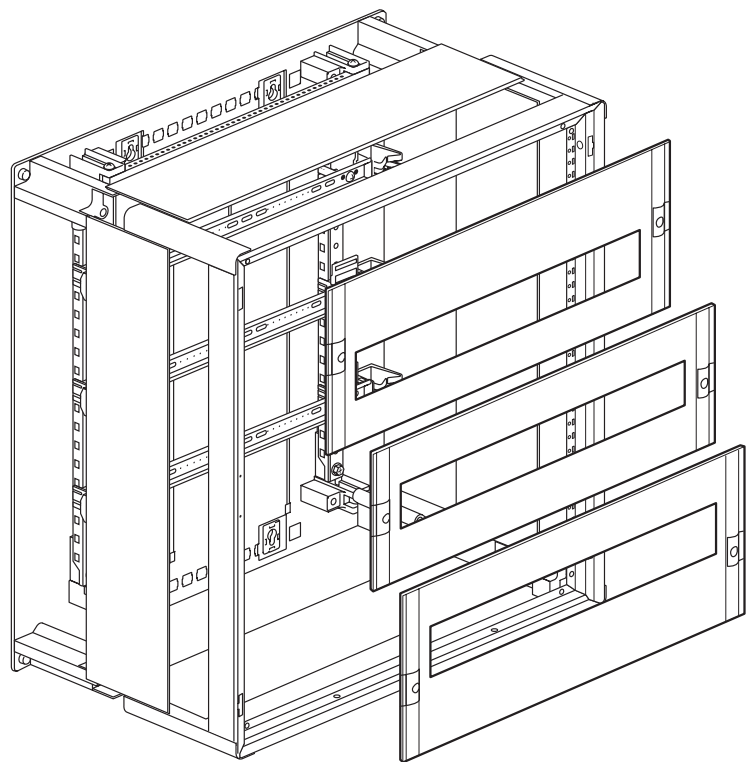
The XL³ 160 insulated cabinet has been designed to simplify wiring and connection:

- side panels can be removed individually
- removable chassis
- frame can be dismantled

XL³ 160 cabinets also offer original solutions for holding and running the wiring, a large working area and a high-quality finish.

CHARACTERISTICS

- Class II insulated cabinet
- Short-circuit resistance I_{pk}: 20 kA
- IP 30 without door, IP 40 with door and IP 43 with door and seal
- IK 04 without door, IK 07 with door
- Door opening angle: 120°
- Conforming to standards IEC 61439-2 and IEC 61439-3
- Fireproof according to IEC 60695-2-11-750°C/5 s
- Suitable for installations in public buildings
- Can take devices up to 160 A
- Colour RAL 7035
- Supplied complete with rails and faceplates, wire guide rings for vertical wiring and terminal block for protective conductors.



		"FULLY MODULAR" CABINETS					CABINETS WITH DEDICATED SPACE FOR DPX ³ 160 OR LIMITED/MONITORED-POWER KIT	
Cabinet Cat. Nos.		4 018 02	4 018 03	4 018 04	4 018 05	4 018 06	4 018 15	4 018 16
External height (mm)		450	600	750	900	1050	900	1050
Number of modular rows		2	3	4	5	6	3	4
Number of modules		48	72	96	120	144	72	96
Raised doors	Solid	0 202 52	0 202 53	0 202 54	0 202 55	0 202 56	0 202 55	0 202 56
	Glass	0 202 62	0 202 63	0 202 64	0 202 65	0 202 66	0 202 65	0 202 66
Flat doors	Solid	0 202 72	0 202 73	0 202 74	0 202 75	0 202 76	0 202 75	0 202 76
	Glass	0 202 82	0 202 83	0 202 84	0 202 85	0 202 86	0 202 85	0 202 86

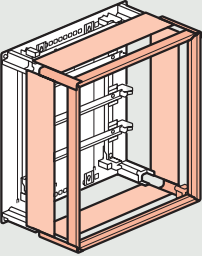
CLASS II INSULATED CABINETS

PREPARING THE CABINETS

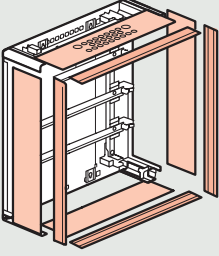
XL³ 160 insulated cabinets are supplied fitted with U-rails on a removable chassis, faceplates, wire guide rings for vertical wiring, and a brass terminal block for connecting protective conductors. The cardboard packaging can be re-used for delivery to the site.



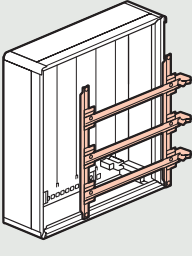
+ XL³ 160 offers you three possibilities, to suit your preferred way of working:



Removing the side panels individually



Removing the faceplate support frame and side panels



Removing the chassis

1 WIRING AT THE BACK OF THE CABINET

To obtain maximum access for wiring, XL³ 160 cabinets can be completely dismantled. Simply remove the faceplate support frame and all the side panels.

XL ³ 160 (TERMINAL BLOCK TYPE)			
Enclosure	Plastic	Flush-mt	Metal
France	Auto	Screw	Screw
Export	Screw	Screw	Screw



After removing the top and bottom faceplates, remove the 4 faceplate frame retaining screws



After completely removing the frame and side panels, there is full access to the wiring

2 WIRING ON CHASSIS ONLY

The chassis can be removed from the enclosure so that the wiring can be carried out in the workshop if the enclosure is already installed on site.



With the faceplates removed, the chassis can be removed from the cabinet after unscrewing the 4 retaining screws

It is also possible to remove the side panels independently. In this case, it is not necessary to remove the faceplate support frame. Simply unscrew the side panel retaining screws.



Each side panel is held in place by 2 screws



It is very easy to work on the chassis once it has been removed from the cabinet

MOUNTING DEVICES

1 MOUNTING THE DPX³

- **DPX³ 160**

Is mounted on an omega rail or on a plate in XL³ cabinets and enclosures. A height spacer (Cat. No. 4 052 26) can be added in order to mount modular devices on the same row (see page 34).



Mounting the DPX³ on the adaptor

2 MOUNTING VISTOP 63 TO 160 A

Vistops with side/front handle are supplied with the accessories needed to locate the handle on the outside of the enclosure.

Example of mounting a Vistop with side handle:



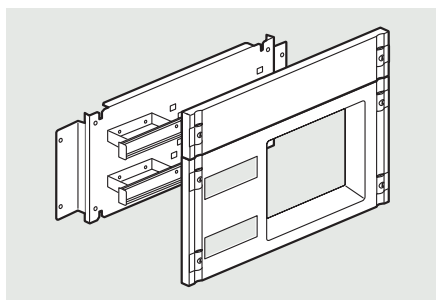
A template is provided with the side/front handle for drilling the side panel



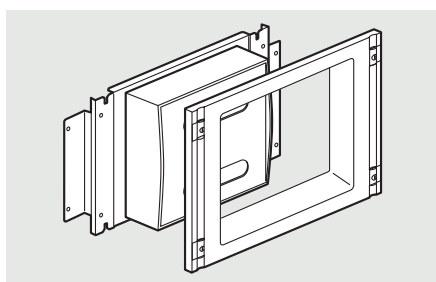
Mounting the assembly on the chassis by removing the plastic rail support

3 MOUNTING LIMITED-POWER KITS

Cabinets with dedicated space Cat. Nos. 4 018 15 and 4 018 16 can take all limited-power connection solutions using kits Cat. Nos. 0 202 30 and 0 202 31. Kit Cat. No. 0 202 30 has two 2 x 8-module rails to optimise the space when installing modular devices next to the incoming circuit breaker.



Kit Cat. No. 0 202 30 for subscriber circuit breaker only (single-phase 90 A or three-phase 60 A) with plates Cat. Nos. 4 011 82/91, or subscriber circuit breaker + Linky-compatible single-phase meter Cat. No. 4 011 81



Kit Cat. No. 0 202 31 supplied with connection plate for subscriber circuit breaker + Linky three-phase electronic meter



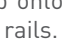
- 4th and 14th holes for kit Cat. No. 0 202 30
- 1st and 13th holes for kit Cat. No. 0 202 31

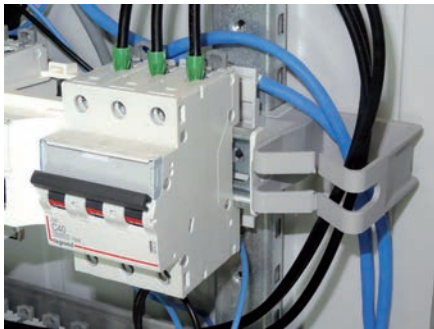
SUITABLE DOORS ACCORDING TO THE CONFIGURATION				
Kit + plate	Flat doors		Raised doors	
	solid	glass	solid	glass
0 202 30 + 4 011 81/82/91	✓	✓	✓	✓
0 202 31	✗	✗	✓	✓

WIRING AND CONNECTION

1 WIRING

• Guide rings

XL³ 160 cabinets are equipped with guide rings for vertical wiring (1 per row). These rings can be mounted on the right or left. They simply clip onto the insulating supports of the  rails.

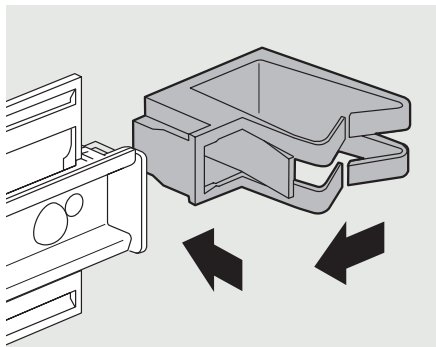


Holding vertical wiring in place

XL³ 160 cabinets take guide rings Cat. No. 0 200 94 for horizontal wiring. These rings are fixed directly below the rails.



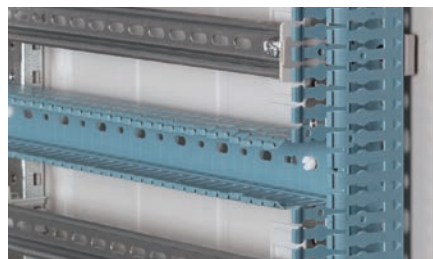
Fitting a guide ring for horizontal wiring



Insert the ring on the side of the support then push it towards the back

• Lina 25 ducting

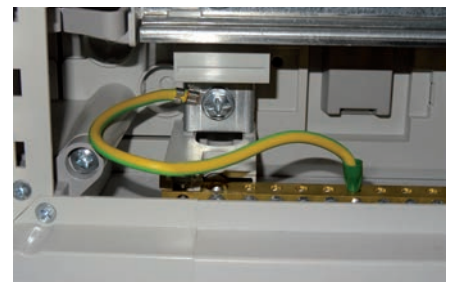
Supports Cat. No. 0 200 70 are used for installing Lina 25 vertical ducting (40x60). The supports clip on in the same way as the vertical wiring guide rings. The ducting is fixed using the insulating rivets provided.



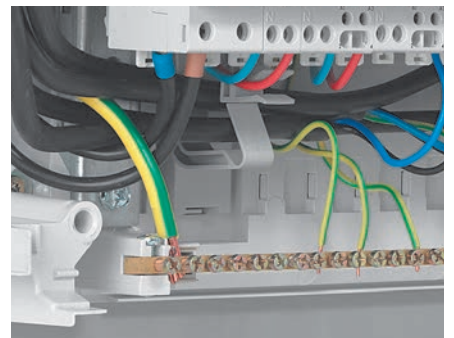
XL³ 160 cabinets also take Lina 25 horizontal ducting: use insulating screws Cat. No. 0 367 74 (M6x10 mm screws) to fix them horizontally (40 x 60) directly on the uprights.

2 ENSURING EQUIPOTENTIAL BONDING

The cabinet chassis can be connected to earth using the threaded holes.



XL³ 160 cabinets are supplied with a brass terminal block for protective conductors with 2 x 35 mm² holes and 36 x 10 mm² holes. As the cabinet is reversible, the terminal block can be placed at the top or the bottom.



Terminal block for protective conductors pre-installed in XL³ 160 cabinets

3 IP 2X DISTRIBUTION TERMINAL BLOCKS

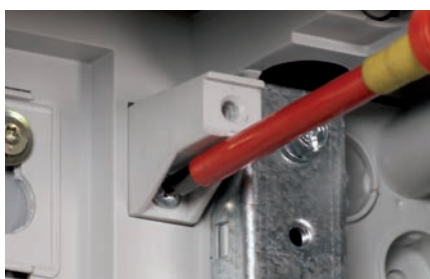
A second terminal block Cat. No. 373 00 can be installed either on the built-in supports, or on the guide rings Cat. No. 0 200 94.

Legrand IP 2X terminal blocks are installed on 12 x 2 flat bars Cat. No. 0 048 19, fixed either on the built-in insulating supports, or on supports Cat. No. 0 200 50. The slots provided at the back of the cabinet allow these bars to be installed horizontally or vertically, on the right or the left.



Guide rings Cat. No. 0 200 94 enable an additional brass terminal block Cat. No. 0 373 00 to be installed between the rows

It is also possible to use IP 2X terminal blocks for protective conductors (see below).



Screw the supports Cat. No. 0 200 50 to the back of the cabinets



Horizontal terminal block



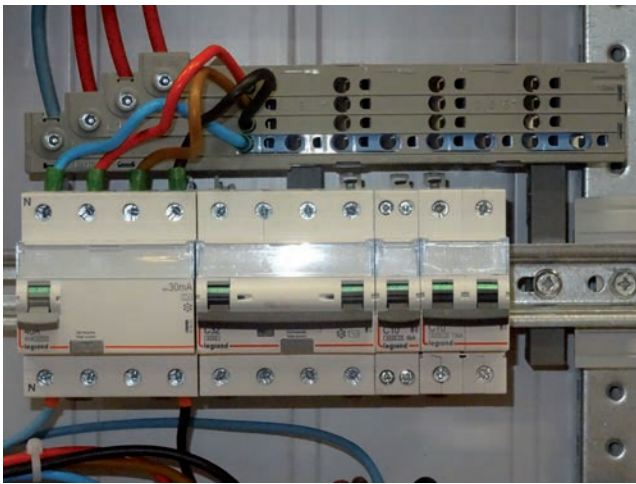
Vertical terminal blocks

CLASS II INSULATED CABINETS

4 DISTRIBUTION SYSTEMS

XL³ 160 cabinets can take various horizontal and vertical distribution systems.

- Three-phase horizontal distribution using auto HX³ 4-pole supply busbar, ½ row (Cat. No. 4 052 31). This model is supplied with fixing lugs for mounting on omega rail. It has 4 x 3 phase outgoing lines + 8 neutral outgoing lines.



- Three-phase horizontal distribution using 125 A plug-in HX³ supply busbar with 24 modules Cat. No. 4 052 40 using accessory Cat. No. 4 052 24.



- Three-phase vertical distribution using auto VX³ supply busbar available in 63 A (3, 4, 5 and 6 rows) or 125 A (4, 5 and 6 rows). These models are equipped with automatic output terminals.

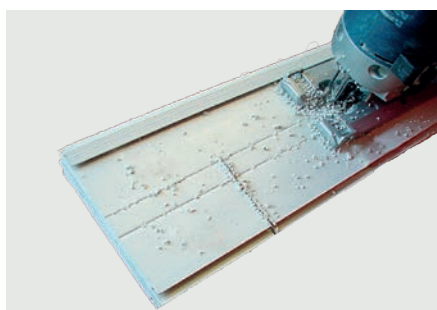


- Single-phase vertical distribution using 63 A optimised VX³ supply busbar, for cabinets with 2, 3 and 4 rows (Cat. Nos. 4 050 03/04/05).



5 INSERTING AND FIXING CABLES

The upper and lower side panels of the cabinet can be cut in order to insert cables. Two guidelines are marked to give the cutting heights for 50 and 65 mm ducting.



The side panels are easy to cut using a jigsaw

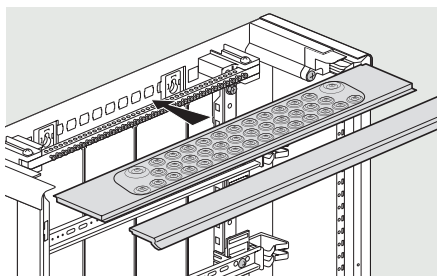
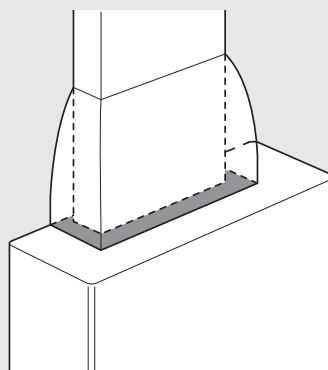


Plate Cat. No. 0 200 71 with knockout cable entries can be installed instead of an upper or lower side panel.



The DLP/cabinet joining strip Cat. No. 0 201 60 improves the finish and increases the cable spreading volume.

The cables can be anchored at the back of the cabinets using Colson™ cable ties.



Knocking out the feedthroughs



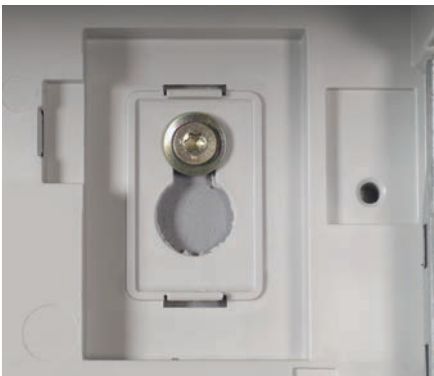
Anchoring the cables

INSTALLATION AND FINISHES

1 FIXING THE CABINETS

• Internal fixings

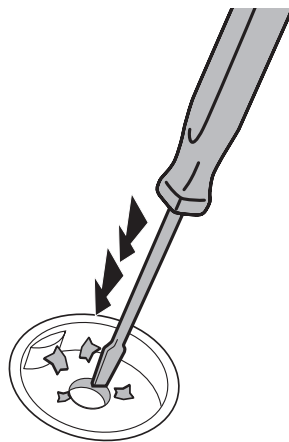
Remove the insulating screw covers from the 4 internal fixing points on the cabinet, then knock out the keyhole-shaped holes. Fix the cabinet using four $\varnothing 6$ mm screws and washers.



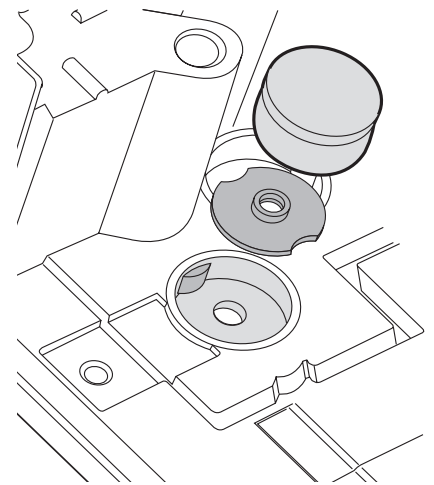
The keyhole-shaped openings are used to attach and detach the cabinets

• External fixings

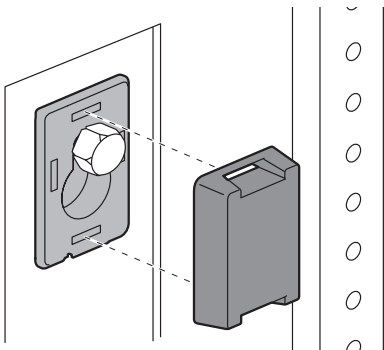
Wall-mounting lugs Cat. No. 0 201 50 can be installed in a horizontal or vertical position.



Knock out the holes corresponding to the position of the lugs



Place the special nut and the plastic cover in position, then screw in the lug from the back of the cabinet



To comply with class II it is essential to put the insulating screw covers back in position

	INTERNAL AND EXTERNAL FIXING CENTRES			CABINET COMBINATION	
Cabinets	A (mm)	B (mm)	C (mm)	Vertical Fixing centre (mm)	Horizontal Fixing centre (mm)
4 018 02	500	305	343	107	325
4 018 03	650	455	493	107	325
4 018 04	800	605	643	107	325
4 018 05/15	950	755	763	137	325
4 018 06/16	1100	905	943	107	325

2 FACEPLATES AND MARKING

The faceplates are locked using a sealable 1/4 turn fastening.



The shape of the faceplates makes them easy to handle



Sealing the faceplate, in locked position



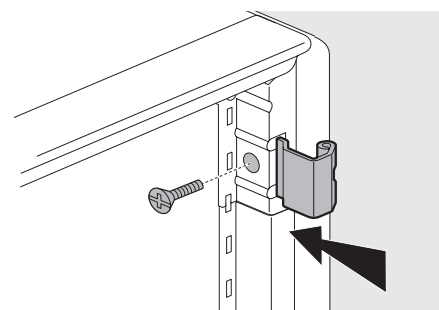
As well as the label-holders on all modular devices, a plastic marking strips Cat.No 3 397 55 (24 modules) or Cat.No 3 397 56 (36 modules) are available as accessories, supplied with the sets of labels



The door pins are designed to be inserted and removed without a tool

3 FITTING THE DOORS

The doors can be fitted to open to the left or the right. Slots for the hinges and the door release are provided on both sides of the cabinet.



Remove the blanking plates then fit the hinges on the frame



The door release is fitted on the opposite side to the hinges using the 2 screws provided



When fitting the handle, it is essential to fit the metal bracket so that the door locks correctly

CLASS II INSULATED CABINETS

4 ACHIEVING IP 43

IP 43 is achieved by fitting seal Cat. No. 0 201 30 around the door.



The seal must join up at the bottom of the door

5 AUXILIARIES ON DOOR

For class II installations, the cables supplying the control and signalling units must be treated as class II, and attached and protected using a continuous insulated sheath to prevent them being pulled out and becoming accidentally detached.

If the control voltage is higher than 50 V, the door must be connected using an equipotential link conductor, and the circuits supplying the control and signalling units must be protected with devices providing protection against indirect contact.



Osmoz control and signalling units have a plastic insulated body and the contact blocks provide IP 2X protection



For more information, consult workshop specifications EN 61439-1 & 2 available from www.legrand.com/ecatalogue



A wide range of finishes and accessories:



All-metal flat door



Glass flat door



All-metal raised door



Glass raised door



Self-adhesive document holder
Cat. No. 0 365 82

VERTICAL JOINING

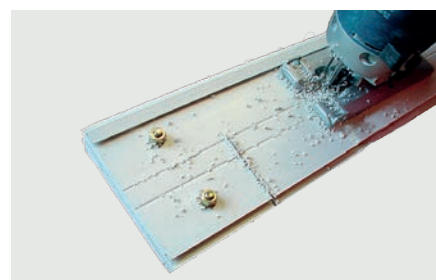
Cabinets in the XL³ 160 range are not designed to be joined together, but can be combined vertically fairly simply.



Set of 2 joined cabinets, with meter and incoming circuit breaker at the supply end



Drill both sides at the same time (Ø 6.5 mm)



Cut the side panels to make the opening for inserting the wiring.



After refit the drilled and cut side panels, place the 4 screws and 4 M6 nuts in position, but do not tighten them fully.

1 MOUNTING

Mark the cutting limits on the side panels of the cabinets to be joined together, and mark where the 4 holes are to be drilled.



Use the terminal block supports as marking guides.

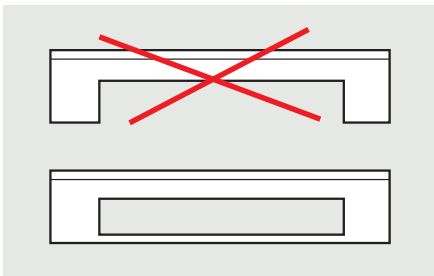
CLASS II INSULATED CABINETS



Position the cabinets on their sides to align them perfectly, then carry out the final tightening

2 COMPLYING WITH CLASS II

If there are closed cut-outs in the side panels, the cabinet is class II. If not, it is essential to create an insulated seal between the backs of the two cabinets.



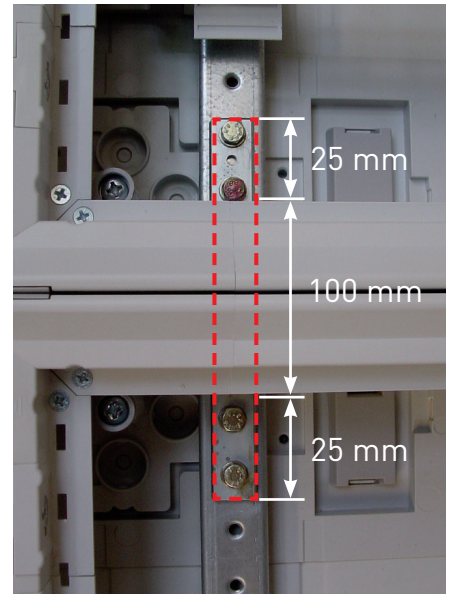
Space to be insulated with a seal on the back of the cabinets

3 STRENGTHENING JOINING

The joined unit can be reinforced using using kit Cat. No. 0 200 22.



Kit Cat. No. 0 200 22



The kit strengthens joining by bolting the 2 chassis together

METAL CABINETS

Metal XL³ 160, fully modular cabinets with dimensions optimised for distribution up to 160 A. They can take DPX³ 160 and Vistop up to 160 A.

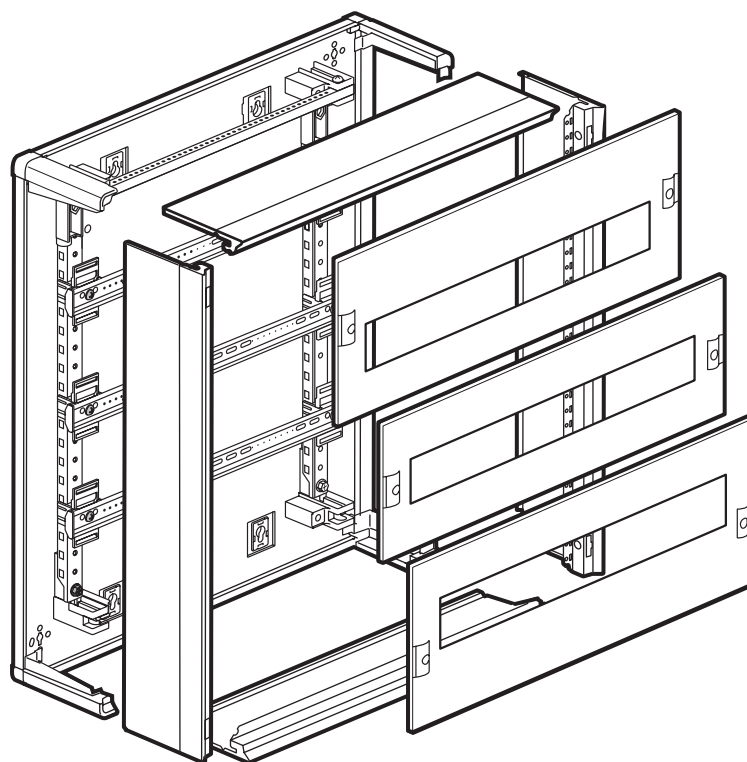
The XL³ 160 cabinet has been designed for ease of wiring and connection:

- side panels can be removed individually
- removable chassis

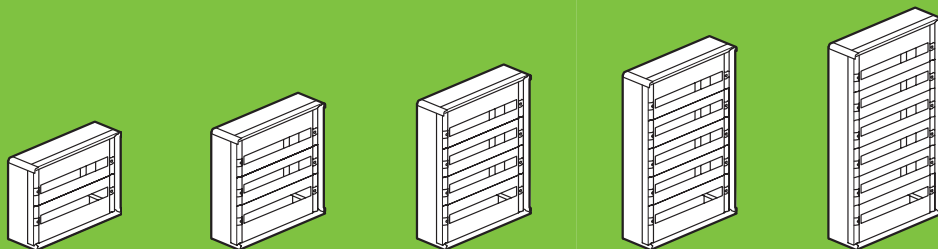
XL³ 160 cabinets also offer original solutions for holding and running the wiring, a large working area and a high-quality finish.

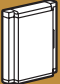



CHARACTERISTICS

- Class I metal cabinet
- Short-circuit resistance Ipk: 35 kA
- IP 30 without door, IP 40 with door and IP 43 with door and seal
- IK 07 without door to IK 08 with door
- Door opening angle: 120°
- Conform to standards IEC 61439-2 and 61439-3
- Fireproof according to IEC 60695-2-11: 750°C/5 s
- Suitable for installations in public buildings
- Can take devices up to 160 A
- Colour RAL 7035 (197 possible RAL colours: metal parts only)
- Supplied complete with rails, faceplates, cable entry plate (can be cut to size) and brass terminal block for protective conductors.



"FULLY MODULAR" CABINETS



Cabinet Cat. Nos.	0 200 02	0 200 03	0 200 04	0 200 05	0 200 06	
External height (mm)	450	600	750	900	1050	
Number of modular rows	2	3	4	5	6	
Number of modules	48	72	96	120	144	
Raised doors	Solid 	0 202 52	0 202 53	0 202 54	0 202 55	0 202 56
	Glass 	0 202 62	0 202 63	0 202 64	0 202 65	0 202 66
Flat doors	Solid 	0 202 72	0 202 73	0 202 74	0 202 75	0 202 76
	Glass 	0 202 82	0 202 83	0 202 84	0 202 85	0 202 86

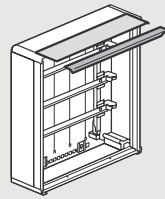
METAL CABINETS

PREPARING THE CABINETS

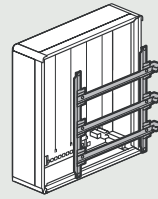
Metal XL³ 160 cabinets are supplied fitted with rails on removable chassis, faceplates, a cable entry plate and a brass terminal block for connecting protective conductors. The cardboard packaging can be re-used for delivery to the site.



XL³ 160 offers you two possibilities, to suit your preferred way of working:



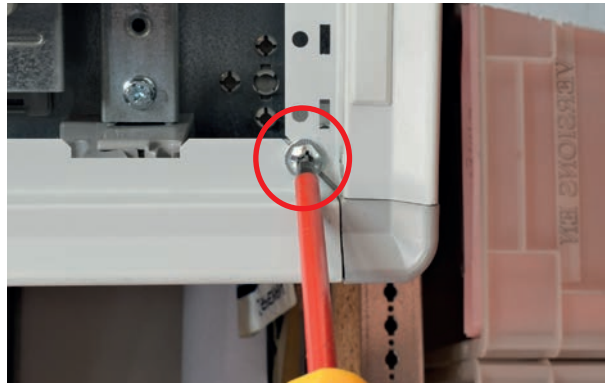
Removing the side panels individually



Removing the chassis

1 WIRING AT THE BACK OF THE CABINET

For ease of wiring, it is possible to remove all the side panels.



Remove all 4 screws (one in each corner: see photo) and take off the top, bottom, left- and right-hand panels

MOUNTING DEVICES

2 WIRING ON CHASSIS ONLY

The chassis can be removed from the enclosure so that the wiring can be carried out in the workshop if the enclosure is already installed on site.



With the faceplates removed, the chassis can be removed from the cabinet after unscrewing the 4 retaining screws (one at each end of the chassis)



It is very easy to work on the chassis once it has been removed from the cabinet

1 MOUNTING THE DPX³ 160

The DPX³ 160 can be integrated in cabinets with an adaptor for mounting on a rail (see section 6).

A height spacer Cat. No. 4 052 26 can be mounted on the same rail so that modular devices or a modular distribution block can be installed next to the DPX³.

The DPX³ 160 is mounted in a low position on a rail: remove the insulating supports and refit the rail directly on the functional uprights with the two M6x10 screws provided.



Photo with rail in a low position equipped with a DPX³ 160 and a height spacer Cat. No. 4 052 26

2 MOUNTING VISTOP 63 TO 160 A

Vistops with side handle are supplied with the accessories needed to locate the handle on the outside of the cabinet. A template is provided with the side handle for drilling the side panel.



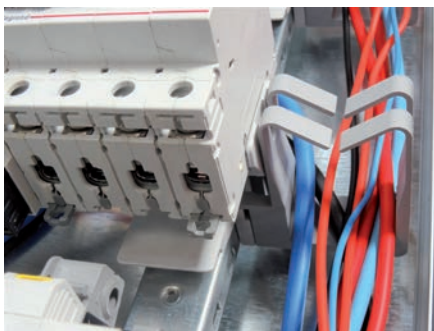
The handle is mounted directly on the cabinet side panel.

WIRING AND CONNECTION

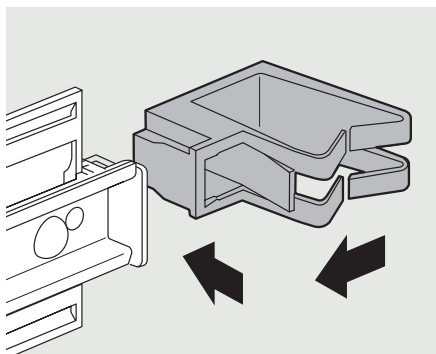
1 WIRING

- **Guide rings**

XL³ 160 cabinets can take guide rings Cat. No. 0 200 93 for vertical wiring. These rings can be mounted on the right or left. They simply clip onto the insulating supports of the rails.



Holding vertical wiring in place



Insert the ring on the side of the support then push it towards the back

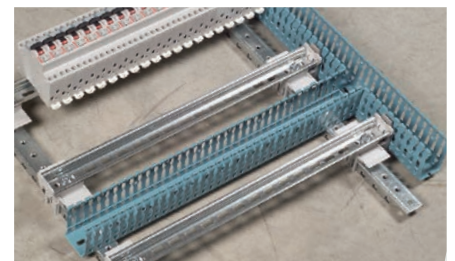
XL³ 160 cabinets take guide rings Cat. No. 0 200 94 for horizontal wiring. These rings are fixed directly below the rails.



Fitting a guide ring for horizontal wiring

- **Lina 25 ducting**

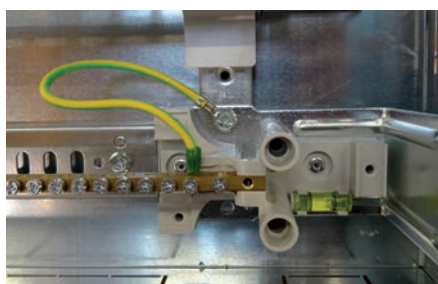
Supports Cat. No. 0 200 70 are used for installing Lina 25 vertical ducting (40 x 60). The supports clip onto the rail supports in the same way as the vertical wiring guide rings. The ducting is fixed using the insulating rivets provided.



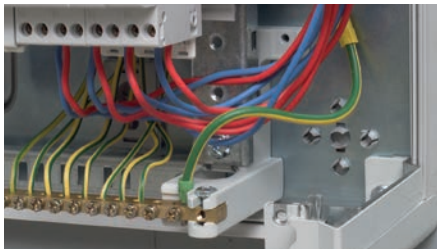
XL³ 160 cabinets also take Lina 25 horizontal ducting (40 x 60): use insulating M6x10 mm screws Cat. No. 0 367 74 to fix the ducting directly on the uprights

2 ENSURING EQUIPOTENTIAL BONDING

The cabinet chassis can be connected to earth using the threaded holes



XL³ 160 enclosures are supplied with a brass bar for protective conductors with 2 x 35 mm² holes and 36 x 10 mm² holes. As the cabinet is reversible, the bar can be placed at the top or the bottom.



Bar for protective conductors pre-installed in XL³ 160 cabinets

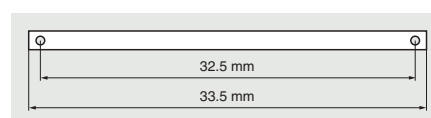
A second bar Cat. No. 373 00 can be installed either on the integrated supports, or on the guide rings Cat. No. 0 200 94



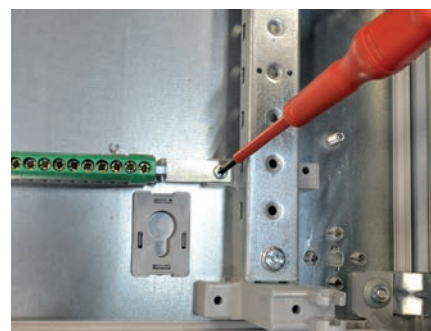
Guide rings Cat. No. 0 200 94 enable an additional brass bar Cat. No. 0 373 00 to be installed between the rows

3 IP 2X DISTRIBUTION TERMINAL BLOCKS

Metal XL³ 160 cabinets can take one or two 12 x 2 flat bars Cat. No. 0 048 19 for IP 2X terminal blocks.



Cut and drill bar Cat. No. 0 048 19



Fix the bar on the plastic supports integrated at the back of the cabinet

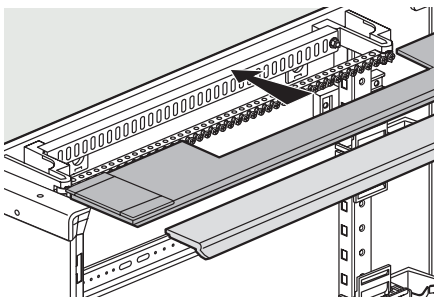
METAL CABINETS

4 INSERTING AND FIXING CABLES

The cable entry plate (can be cut to size) supplied with the metal cabinets is fitted after one of the upper or lower side panels has been cut.



Break the metal side panel along the pre-cut line



Insert the plate in the corner runners then re-fit the front part of the metal side panel

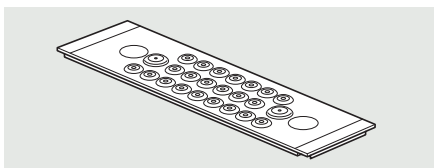
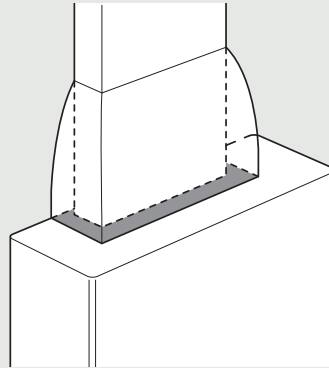
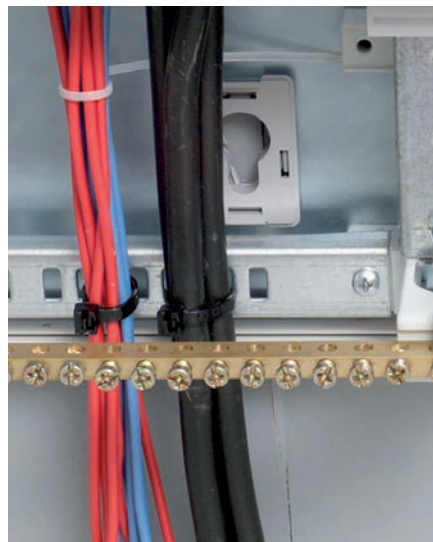


Plate Cat. No. 0 200 21 with knockout cable entries (22 x Ø 20 mm entries and 2 x Ø 32 mm entries) is fitted in the same way



The DLP/cabinet or housing service duct joining strip Cat. No. 0 201 60 improves the finish and increases the cable spreading volume

Metal cabinets can take, at the top and the bottom, the special cable fixing support Cat. No. 0 200 35.



Cables anchored on support Cat. No. 0 200 35 using Colson cable ties (all Colson and Colring cable ties can be used)

INSTALLATION AND FINISHES

1 FIXING THE CABINETS

Internal fixings

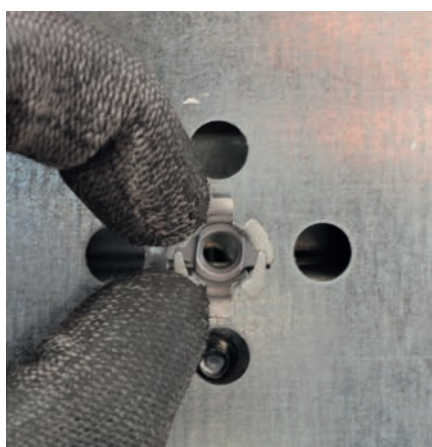
Each cabinet has 4 internal fixing points. Knock out the keyhole-shaped holes. Fix the cabinet using four Ø 6 mm screws and washers.



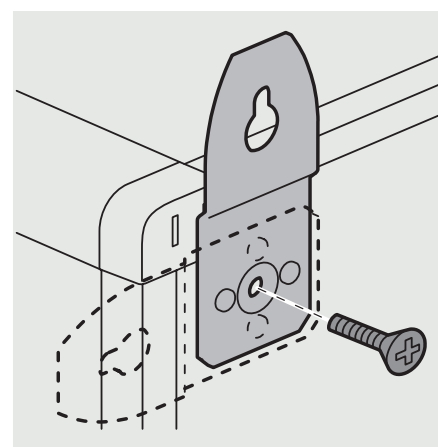
The keyhole-shaped openings are used to attach and detach the cabinets

External fixings

Wall-mounting lugs Cat. No. 0 201 00 can be installed in a horizontal or vertical position, or a mixture of the two.



Fit the clip-nut



Screw on the lug in the required position

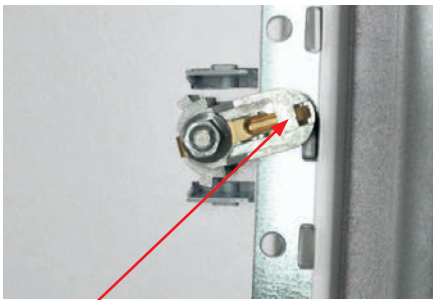
The cabinets can be joined vertically or horizontally.

	INTERNAL AND EXTERNAL FIXING CENTRES			CABINET COMBINATION	
Cabinets	A (mm)	B (mm)	C (mm)	Vertical Fixing centre (mm)	Horizontal Fixing centre (mm)
0 200 02	500	305	343	107	325
0 200 03	650	455	493	107	325
0 200 04	800	605	643	107	325
0 200 05	950	755	763	137	325
0 200 06	1100	905	943	107	325

METAL CABINETS

2 FACEPLATES AND MARKING

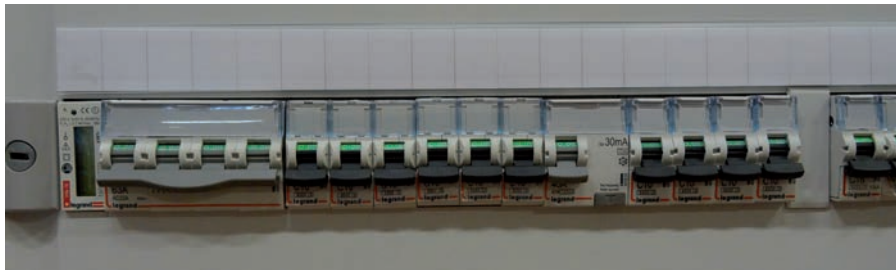
The faceplates are locked using a sealable ¼ turn fastening. The equipotential link with the enclosure is created automatically by the ¼ turn locking rotary slider.



Rotary slider



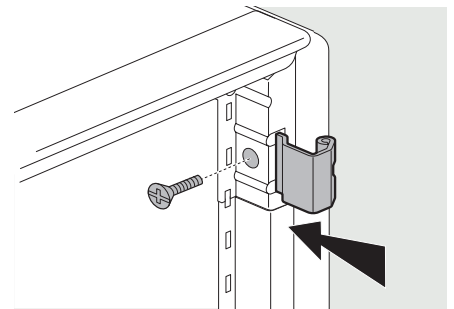
Sealing the faceplate in locked position



As well as the label-holders on all modular devices, a plastic marking strips Cat.No 3 397 55 (24 modules) or Cat.No 3 397 56 (36 modules) are available as accessories, supplied with the sets of labels

3 FITTING THE DOORS

The doors can be fitted to open to the left or the right. Slots for the hinges and the door release are provided on both sides of the cabinet.



Insert and fix the hinges in the slots on the side panels



The door release is fitted on the opposite side to the hinges using the 2 screws provided

Raised doors leave a 53 mm (glass) or 57 mm (metal) space in front of the faceplates and can therefore be used with Vistops with front handle. Solid raised doors can take Osmoz control and signalling units and also allow the installation of a remote front handle for Vistops.



Osmoz devices and front handle on door

4 ACHIEVING IP 43

IP 43 is achieved by fitting seal Cat. No. 0,201 30 around the door.



The seal must join up at the bottom of the door

5 AUXILIARIES ON DOOR

For class II installations, the cables supplying the control and signalling units must be treated as class II, and attached and protected using a continuous insulated sheath to prevent them being pulled out and becoming accidentally detached.

If the control voltage is higher than 50 V, the door must be connected using an equipotential link conductor, and the circuits supplying the control and signalling units must be protected with devices providing protection against indirect contact.



Osmoz control and signalling units have a plastic insulated body and the contact blocks provide IP 2X protection



For more information, consult workshop specifications EN 61439-1 & 2 available from www.legrand.com/ecatalogue

6 EQUIPOTENTIAL BONDING

The doors are equipped with studs for connecting the equipotential link conductor Cat. No. 0 373 85 when control and signalling units with voltage > 50 V are fitted.



Make a notch in the plastic cover for the conductor to pass behind the hinge



Conductor Cat. No. 0 373 85 clips directly onto the faceplate support inside the enclosure



When the plastic cover is removed, up to 4 conductors can be inserted in the enclosure

FLUSH-MOUNTING CABINETS

XL³ 160 insulated cabinets are cabinets with dimensions optimised for distribution up to 160 A.

These cabinets are divided into:

- "Fully modular" cabinets with 3 to 6 rows. These can take DPX³ 160 and Vistop up to 160 A with no need for any accessories.

- Cabinets with dedicated space and 3 or 4 modular rows, for integrating limited/monitored power kits.

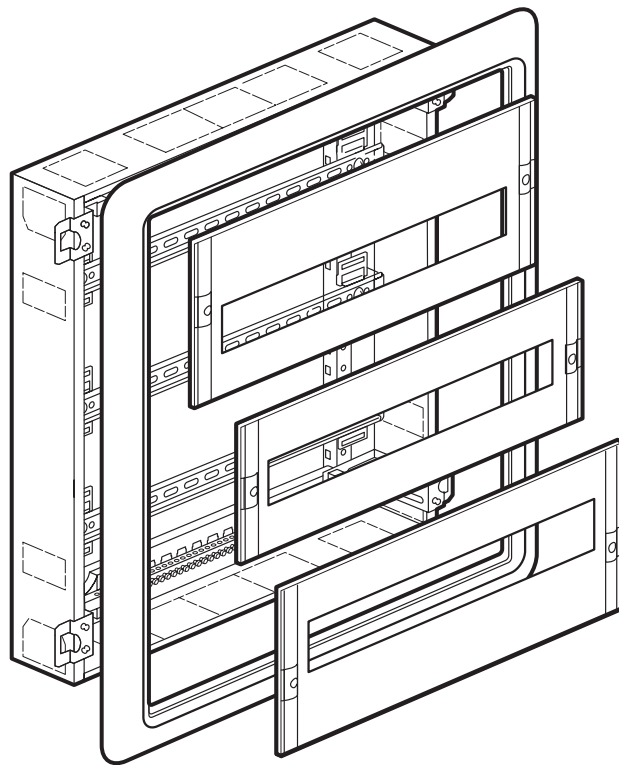
The XL³ 160 insulated cabinet has been designed to simplify wiring and connection:

- side panels can be removed individually
- removable chassis
- frame can be dismantled

XL³ 160 cabinets also offer original solutions for holding and running the wiring, a large working area and a high-quality finish.

CHARACTERISTICS

- Class II insulated cabinet
- Short-circuit resistance I_{pk}: 20 kA
- IP 30 without door, IP 40 with door
- IK 04 without door, IK 08 with door
- Door opening angle: 120°
- Conforming to standards IEC 61439-2 and IEC 61439-3
- Fireproof according to IEC 60695-2-11-750°C/5 s
- Suitable for installations in public buildings
- Can take devices up to 160 A
- Colour RAL 7035
- Supplied complete with rails and faceplates, wire guide rings for vertical wiring and terminal block for protective conductors.




	"FULLY MODULAR" CABINETS				CABINETS WITH DEDICATED SPACE FOR DPX ³ 160 OR LIMITED-POWER KIT	
Cabinet Cat.Nos.	0 200 13	0 200 14	0 200 15	0 200 16	0 200 25	0 200 26
External height with the finishing frame (mm)	695	845	995	1145	995	1145
External width with the finishing frame (mm)	670	670	670	670	670	670
Box height (mm)	640	790	940	1090	940	1090
Box width (mm)	617	617	617	617	617	617
Number of modular rows	3	4	5	6	3	4
Number of modules	72	96	120	144	72	96
Flat doors Solid <hr/> Glass	0 202 73	0 202 74	0 202 75	0 202 76	0 202 75	0 202 76
	0 202 83	0 202 84	0 202 85	0 202 86	0 202 85	0 202 86

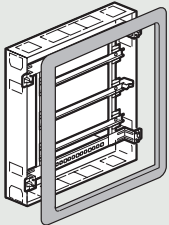
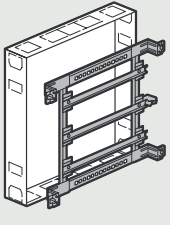
FLUSH-MOUNTING CABINETS

PREPARING THE CABINETS

XL³ 160 flush-mounting cabinets are supplied ready-assembled. They consist of a metal flush-mounting box, a removable chassis equipped with U rails, a faceplate support finishing frame, insulated faceplates and a brass bar.

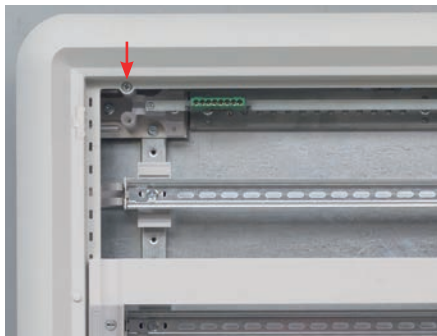


 XL³ 160 offers you two possibilities, to suit your preferred way of working:

 <p>Removing the faceplate support finishing frame</p>	 <p>Removing the chassis</p>
---	---

1 WIRING AT THE BACK OF THE BOX

Removing the finishing frame provides a wide access area for wiring at the back of the box.



Remove the top and bottom faceplates to access the 4 faceplate support finishing frame retaining screws

2 REMOVING THE CHASSIS

The chassis can be removed from the cabinet so that the wiring can be carried out in the workshop if the flush-mounting box is already installed on site.



The 4 chassis retaining screws can be accessed when the finishing frame has been removed

FLUSH MOUNTING

1 FIXING IN A MASONRY WALL

The hole in the wall must be at least 100 mm deep and be wide enough to allow the masonry anchors to be inserted. Cabinets can be fixed using plaster, adhesive mortar or cement, as required.



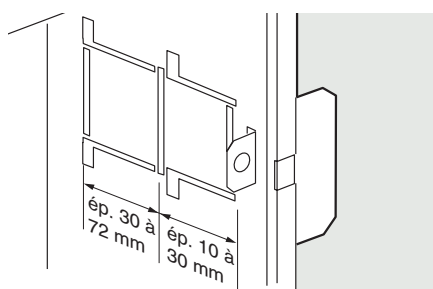
Pull up the masonry anchors



Open up the cable feedthroughs: wide pre-cut sections make this task easier

2 MOUNTING IN A HOLLOW PARTITION

Installation in a hollow partition requires fixing accessory Cat. No. 0 200 10.



Cut out the holes for the mounting lugs according to the thickness of the wall



After cutting out the cable feedthroughs and positioning the enclosure, insert the mounting lugs and tighten them

MINIMUM FLUSH-MOUNTING DIMENSIONS

	Cabinets	H (mm)
	0 200 13	640
	0 200 14	790
	0 200 15/25	940
	0 200 16/26	1090

MOUNTING DEVICES

1 MOUNTING THE DPX³

■ DPX³ 160

Is mounted on an omega rail or on a plate in XL³ cabinets and enclosures. A height spacer (Cat. No. 4 052 26) can be added in order to fit modular devices on the same row.



Mounting with a plate

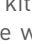


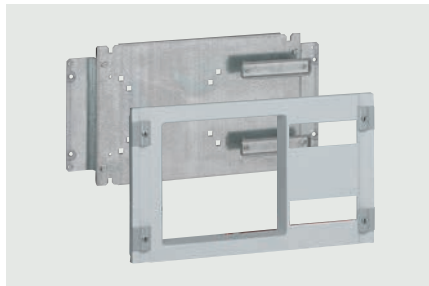
Mounting with a plate and the rail height spacer next to it



Installation of a modular product at the same level as the DPX³ 160

2 MOUNTING LIMITED-POWER KITS

Cabinets with dedicated space, Cat. Nos. 0 200 25 and 0 200 26, can take the limited-power connection kit Cat. No. 0 202 30. This kit has two 2 x 8-module  rails to optimise the space when installing modular devices next to the incoming circuit-breaker.



Kit Cat. No. 0 202 30 for subscriber circuit breaker only (single-phase 90 A or three-phase 60 A) with plates Cat. Nos. 4 011 82/91, or subscriber circuit breaker + Linky-compatible single-phase meter Cat. No. 4 011 81



The plate in kit Cat. No. 0 202 30 fixes directly onto the uprights

WIRING AND CONNECTION

1 WIRING

■ Guide rings

XL³ 160 cabinets can take guide rings Cat. No. 0 200 93 for vertical wiring. These rings can be mounted on the right or left. They simply clip onto the rail supports.



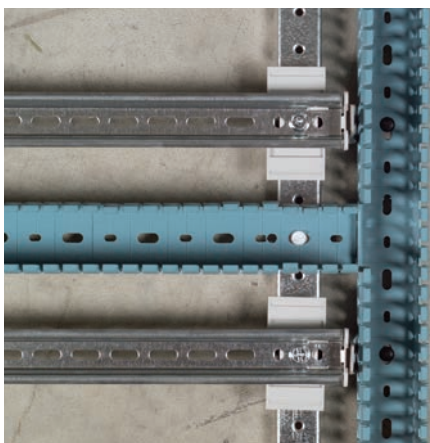
Holding vertical wiring in place

XL³ 160 cabinets take guide rings Cat. No. 0 200 94 for horizontal wiring. These rings are fixed directly below the rails.



■ Lina 25 ducting

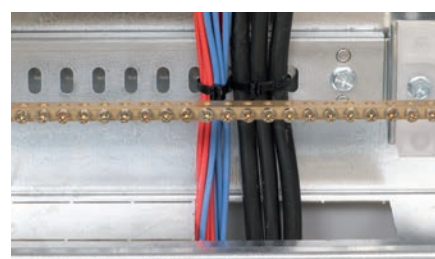
Supports Cat. No. 0 200 70 are used for installing Lina 25 vertical ducting (40 x 60). The supports for Lina 25 ducting clip on in the same way as the vertical wiring guide rings.



XL³ 160 cabinets also take Lina 25 horizontal ducting: use M6x10 mm insulating screws Cat. No. 0 367 74 to fix the ducting directly on the uprights

2 FIXING THE CABLES

Flush-mounting cabinets are equipped with a special support at the top and bottom for fixing cables.

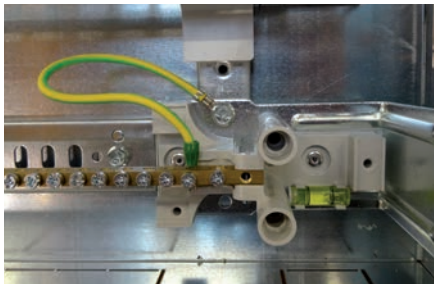


Cables anchored using cable ties (all Colson and Colring cable ties are compatible)

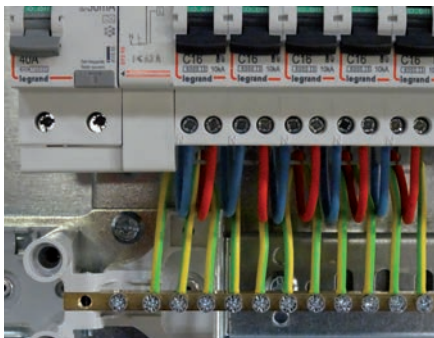
FLUSH-MOUNTING CABINETS

3 ENSURING EQUIPOTENTIAL BONDING

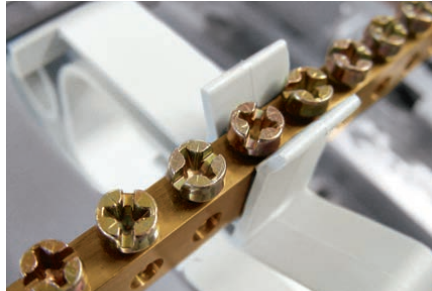
The cabinet chassis can be connected to earth using the threaded holes.



XL³ 160 cabinets are supplied with a bar for protective conductors consisting of a brass bar with 2 x 35 mm² terminals and 36 x 10 mm² terminals. It can be installed at the top or the bottom on the supports integrated at the back of the cabinets.



Bar for protective conductors pre-installed in XL³ 160

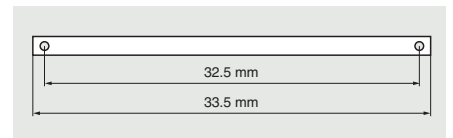


Horizontal wiring guide rings Cat. No. 0 200 94 enable an additional brass bar Cat. No. 0 373 00 to be installed between the rows.

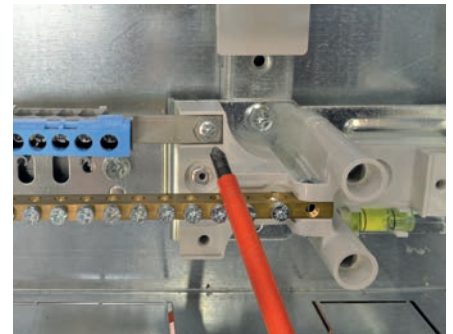
It is also possible to use IP 2X terminal blocks for protective conductors (see below).

4 IP 2X DISTRIBUTION TERMINAL BLOCKS

XL³ 160 flush-mounting cabinets can take 12 x 2 flat bars Cat. No. 0 048 19 for IP 2X terminal blocks.



Cutting out and drilling bars Cat. No. 0 048 19 to create a horizontal terminal block



The support integrated at the back of the cabinet is used to fix the bars both horizontally and vertically

FINISHES

1 FACEPLATES AND MARKING



The faceplate support finishing frame ensures a perfect finish



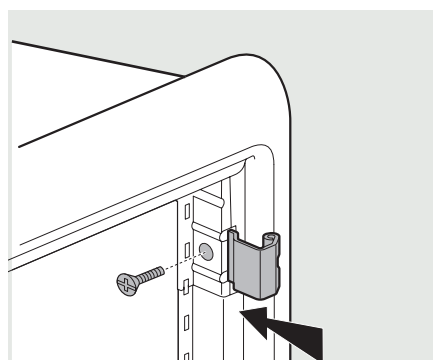
The faceplates are locked using a 1/4 turn fastening; their shape makes them easy to handle



Sealing the faceplate in locked position

2 FITTING THE DOORS

The doors can be fitted to open to the left or the right. Slots for the hinges and the door release are provided on both sides of the cabinet.



Remove the blanking plates, then fit the hinges on the frame



The door release is fitted on the opposite side to the hinges using the 2 screws provided



When fitting the handle, it is essential to fit the metal bracket so that the door locks correctly

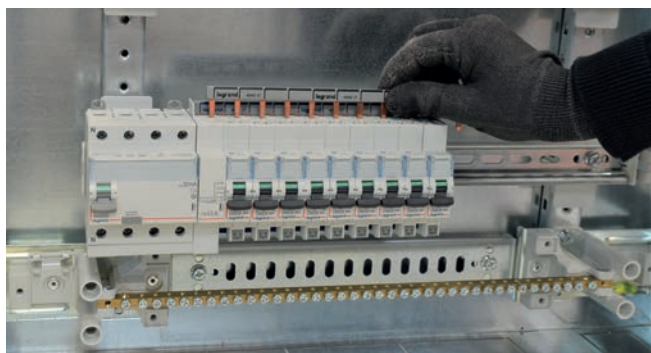
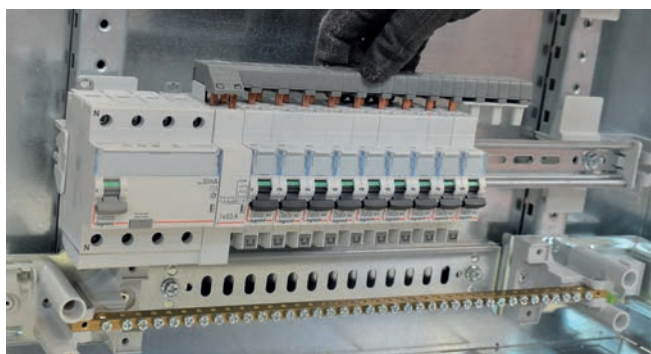
DISTRIBUTION

SUPPLY BUSBARS, TERMINAL BLOCKS, DISTRIBUTION TERMINALS AND MODULAR DISTRIBUTION BLOCKS


Legrand distribution blocks for use in XL³ 160 cabinets meet the needs of a wide range of requirements, providing ease of use and maximum safety.

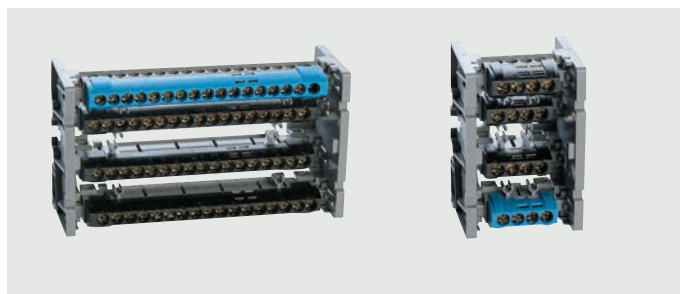
1 HX³ SUPPLY BUSBARS

1, 2, 3 or 4-pole supply busbars can be connected directly and supply power to modular devices up to 63 A. They are a flexible solution, take up little space and are easy to adapt for distribution in rows. DX³ auto devices are used to connect supply busbars without the need for tools (see below).



2 DISTRIBUTION TERMINAL BLOCKS

Totally universal in their application, this type of terminal block can be used to distribute up to 100 A on between 4 and 33 outputs, depending on the catalogue number. The incoming cross-section is between 4 and 25 mm², and that of the outputs between 4 and 16 mm². These terminal blocks are fixed on a flat 12 x 2 bar or on a  rail.



By combining IP 2X terminal blocks with a support Cat. No. 0 048 10, you can create a 2P, 3P or 4P distribution block

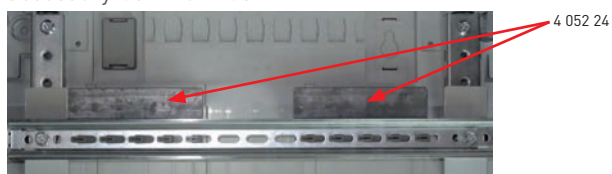
3 DISTRIBUTION SYSTEM

XL³ 160 cabinets can take various horizontal and vertical distribution systems.

- Three-phase horizontal distribution using auto HX³ 4-pole supply busbar, ½ row (Cat. No. 4 052 31). This model is supplied with fixing lugs for mounting on an omega rail. It has 3 x 4 phase outgoing lines + 8 neutral outgoing lines.



- Three-phase horizontal distribution using 125 A plug-in HX³ supply busbar with 24 modules Cat. No. 4 052 40 using accessory Cat. No. 4 052 24.



- Single-phase vertical distribution using 63 A optimised VX³ supply busbar, for cabinets with 2, 3 and 4 rows (Cat. Nos. 4 050 03/04/05).




- Three-phase vertical distribution using auto VX³ supply busbar available in 63 A (3, 4, 5 and 6 rows) or 125 A (4, 5 and 6 rows). These models are equipped with automatic output terminals.



DISTRIBUTION

4 MODULAR DISTRIBUTION BLOCKS

These combine compactness and high connection capacity. They clip onto the  rails. Legrand modular distribution blocks are fully insulated: they are used at the supply end of the panel up to 250 A or in subgroups of outputs in panels with a higher power rating.

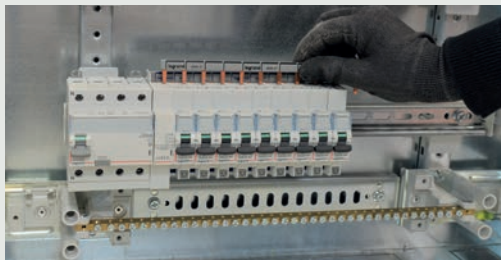


Modular single-pole distribution blocks: total isolation of poles in order to distribute up to 250 A (160 A max. in a XL³ 160 cabinet)

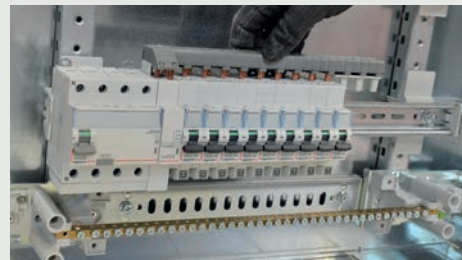


Modular distribution blocks can take an additional IP 2x terminal block

Distribution in rows using auto HX³ supply busbars: automatic connection of the single-phase and three-phase supply busbars up to 63 A



Single-phase power supply to a row using the phase/neutral reversible universal supply busbar



Three-phase power supply to a row using the "three prong" type supply busbar



It is possible to mix circuit breakers with automatic and screw terminals on the same row



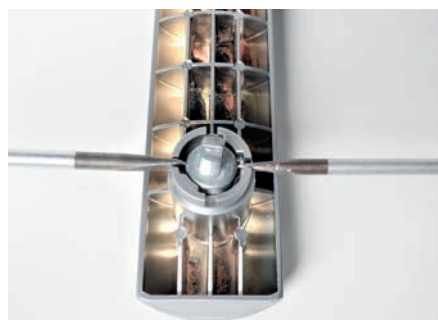
Complete cabinet equipped with different distribution systems

APPENDICES

FITTING KEY BARRELS

The method differs according to the type of handle used.

■ Large handle (enclosures H = 1500 mm)



Push in the 2 black clips to remove the blanking plate

■ Small handle (enclosures H < 1500 mm)

Once the handle has been dismantled (M6 screw) the blanking plate is automatically released.



Combine the adaptor casing and barrel assembly with the black adaptor



Refit the handle on its support



Combine the adaptor casing and barrel assembly with the aluminium-coloured adaptor



Insert the pin in the notch towards the front



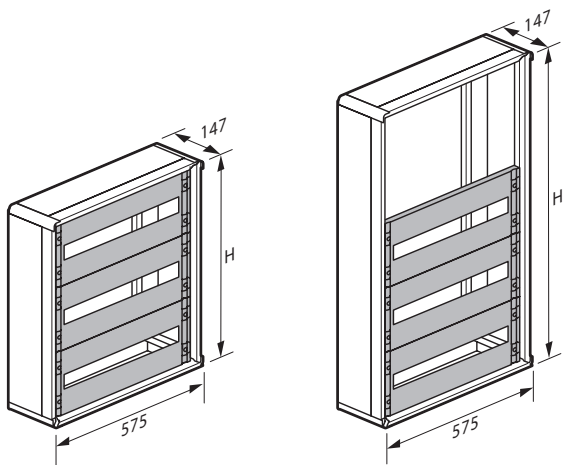
Insert the assembled barrel in the body of the handle



Insert the assembled barrel in the body of the handle

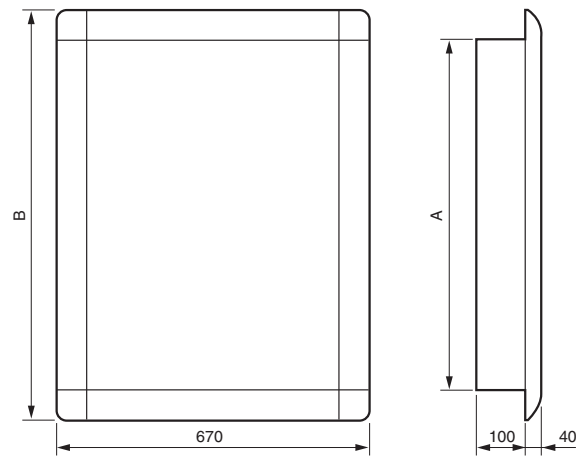
DIMENSIONS

1 INSULATED AND METAL CABINETS



CABINETS		H
INSULATED	METAL	(MM)
4 018 02	0 200 02	450
4 018 03	0 200 03	600
4 018 04	0 200 04	750
4 018 05/15	0 200 05	900
4 018 06/16	0 200 06	1050

2 FLUSH-MOUNTING CABINETS



FLUSH-MOUNTING CABINETS	A (MM)	B (MM)
0 200 13	640	695
0 200 14	790	845
0 200 15/25	940	995
0 200 16/26	1090	1145

3 RAISED DOORS

METAL	GLASS	HEIGHT (MM)	CABINET/DOOR DISTANCE (MM)	
			METAL	GLASS
0 202 52	0 202 62	450	57	53
0 202 53	0 202 63	600	57	53
0 202 54	0 202 64	750	57	53
0 202 55	0 202 65	900	57	53
0 202 56	0 202 66	1050	57	53

4 FLAT DOORS

METAL	GLASS	HEIGHT (MM)	CABINET/DOOR DISTANCE (MM)	
			METAL	GLASS
0 202 72	0 202 82	450	38	34
0 202 73	0 202 83	600	38	34
0 202 74	0 202 84	750	38	34
0 202 75	0 202 85	900	38	34
0 202 76	0 202 86	1050	38	34

ACCESSORIES

FIXING ACCESSORIES		INSULATED	METAL	FLUSH-MOUNTING
	Wall mounting lugs (x4)	0 201 50	0 201 00	
	Fixing accessories for hollow partition (x4)			0 200 10
TERMINAL BLOCKS		INSULATED	METAL	FLUSH-MOUNTING
	Supports for 12 x 2 flat bar	0 200 50		
	12 x 2 flat bar for IP 2X terminal block (1 m)	0 048 19	0 048 19	0 048 19
	Brass bar for connecting protective conductors	0 373 00	0 373 00	0 373 00
ACCESSORIES FOR CABLE INSERTION		INSULATED	METAL	FLUSH-MOUNTING
	Cable entry plates (can be cut to size)		0 200 20	
	Plate with knockout cable entries	0 200 71	0 200 21	
	Cable fixing support		0 200 35	
WIRING ACCESSORIES		INSULATED	METAL	FLUSH-MOUNTING
	Guide ring for vertical wiring (x2)	0 200 93	0 200 93	0 200 93
	Guide ring for horizontal wiring (x1)	0 200 94	0 200 94	0 200 94
	Support for Lina 25 ducting (x2)	0 200 70	0 200 70	0 200 70
	DLP/housing service duct finishing strip	0 201 60	0 201 60	
	Universal rail	0 200 00	0 200 00	0 200 00

EQUIPMENT		INSULATED	METAL	FLUSH-MOUNTING
	Rail height spacer	4 052 26	4 052 26	4 052 26
	French electricity tariff kit for connection plates Cat. Nos. 4 011 81/82/91	0 202 30		0 202 30
	French electricity tariff kit for circuit breaker + 3-phase meter	0 202 31		
	Window insulated faceplate for modular devices H: 150 mm	0 203 50		
	Insulated faceplate for DPX³ 160 - H: 300 mm	0 203 60		
	Solid insulated faceplate H: 100 mm	0 203 91		
	24-module untapped blanking plate (can be cut to size)	0 200 51	0 200 51	0 200 51
	18-module blanking plate (can be separated into 1/2 modules)	0 016 65	0 016 65	0 016 65
	24-module adhesive label holder	3 397 55	3 397 55	3 397 55
	36-module adhesive label holder	3 397 56	3 397 56	3 397 56

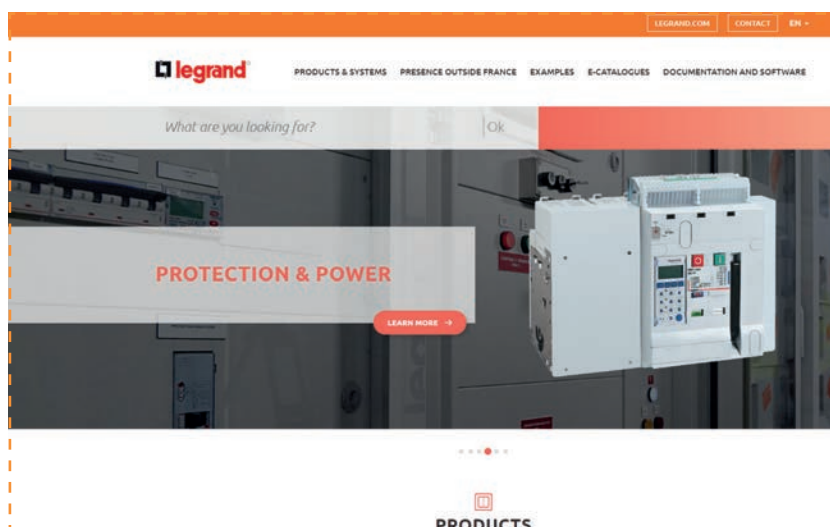
ACCESSORIES FOR DOORS		INSULATED	METAL	FLUSH-MOUNTING
	Key barrels type 405	0 202 91	0 202 91	0 202 91
	Key barrels type 455	0 202 92	0 202 92	0 202 92
	Key barrels type 1242 E	0 202 93	0 202 93	0 202 93
	Key barrels type 2433 A	0 202 94	0 202 94	0 202 94
	Seal for IP 43 protection	0 201 30	0 201 30	0 201 30
	A4 flexible document holder	0 097 99	0 097 99	0 097 99
	Closed rigid document holder	0 365 82	0 365 82	0 365 82

To know more,
check [export.legrand.com](https://www.export.legrand.com)

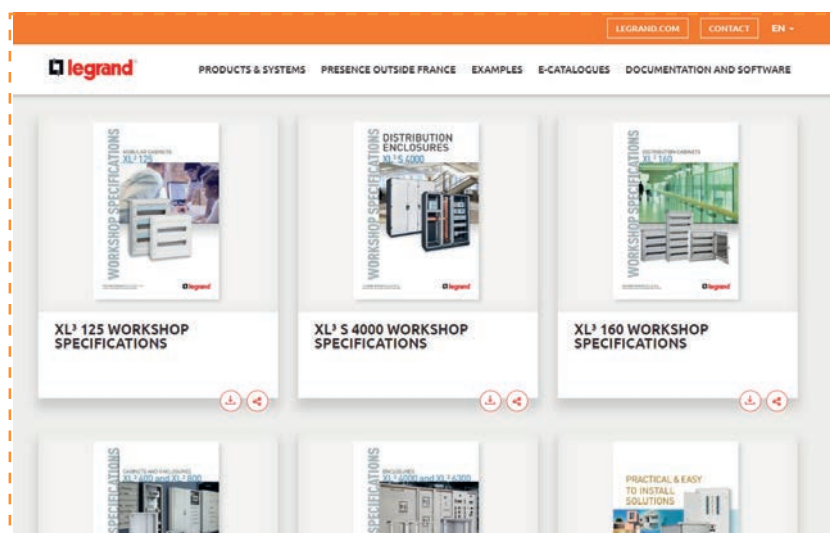


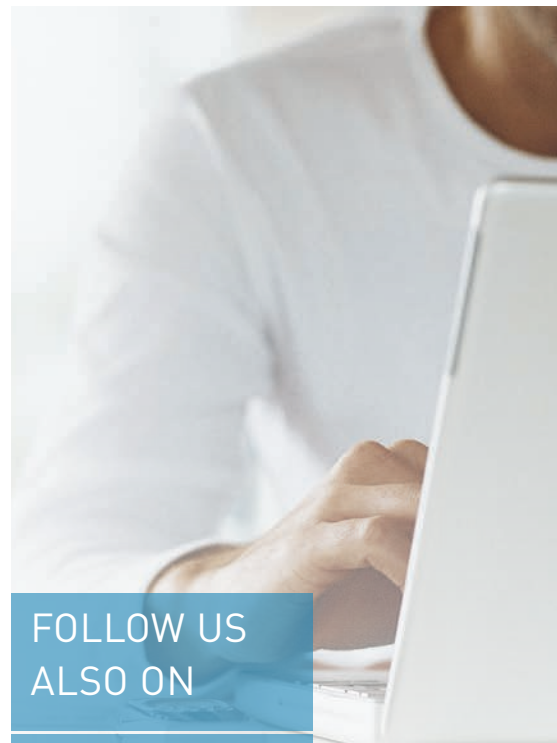
All technical data of the products inside this workshop specifications book are available on : <https://www.export.legrand.com/en>

>Click on >DOCUMENTATION & SOFTWARE








>Documentation





FOLLOW US ALSO ON

- @ legrand.com
-  youtube.com/user/legrand
-  facebook.com/Legrand
-  twitter.com/Legrand
-  pinterest.com/legrandgroup
-  instagram.com/legrandnews



Head office
and International Department
87045 Limoges Cedex - France
Tel: + 33 (0) 5 55 06 87 87
Fax: + 33 (0) 5 55 06 74 55

<https://id1.hu/legrand/>