








TeSys F, V, FG, CR1F Contactors		
Type of product	Range	Pages
Contactors for AC-3 applications TeSys F	From 115 to 1000 A	 B9/2
Contactors for AC-1 applications TeSys F	From 200 to 2600 A	 B9/3
Vacuum contactors – 1500 V TeSys V	From 160 to 610 A - AC-3 From 160 to 630 A - AC-1	 B9/4
Shockproof contactors TeSys FG	From 150 to 630 A - AC-3	 B9/6
Magnetic latching contactors TeSys CR1F	From 150 to 630 A - AC-3	 B9/7
Reversing pre-assembled contactors for AC-3 applications TeSys F	From 115 to 265 A - AC-3	 B9/8
Changeover pre-assembled contactor pairs for AC-1 applications TeSys F	From 200 to 350 A - AC-1	 B9/9
Auxiliary contact blocks TeSys F	Accessories – spare parts - delayed opening devices	B9/10
Coils TeSys F		B9/17
Accessories, coils for shockproof and magnetic latching contactors TeSys FG, TeSys CR1F		B9/27
Accessories for reversing and changeover contactor assemblies TeSys LA9F		B9/34

TeSys

TeSys F High power contactors

Product references

PB11858.eps



LC1F115...500

PB111860.eps

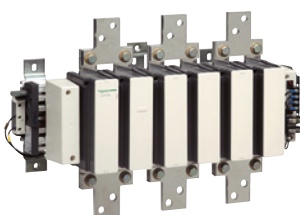


LC1F630...800

COORD.



PB112306.eps



LC1F780

PB121451.eps



LC1F1000

High power contactors

3-pole contactors - Motors 115 to 1000 A / 440 V Category AC-3 - a.c. or d.c. coils

Standard power ratings of 3-phase motors 50-60 Hz in category AC-3								Rated operational current in AC-3	Basic reference, to be completed by adding the voltage code (2) Screw fixing, cabling (1)	Weight
220 V	380 V	660 V			440 V up to					
kW	kW	kW	kW	kW	kW	kW	A		kg	
30	55	59	59	75	80	-	115	LC1F115●●	3.430	
40	75	80	80	90	100	-	150	LC1F150●●	3.430	
55	90	100	100	110	110	-	185	LC1F185●●	4.650	
63	110	110	110	129	129	-	225	LC1F225●●	4.750	
75	132	140	140	160	160	-	265	LC1F265●●	7.440	
100	160	180	200	200	220	160	330	LC1F330●●	8.600	
110	200	220	250	257	280	185	400	LC1F400●●	9.100	
147	250	280	295	355	335	-	500	LC1F500●●	11.350	
200	335	375	400	400	450	450	630	LC1F630●●	18.600	
220	400	425	425	450	475	450	780	LC1F780●●	39.500	
250	450	450	450	450	475	450	800	LC1F800●●	18.750	
315	560	630	670	-	-	-	1000	LC1F1000●●	31.000	

Note: auxiliary contact blocks, modules and accessories: see pages B9/10 to B9/27.

(1) Power terminals can be protected against direct finger contact by the addition of shrouds, to be ordered separately, except on contactors LC1F780 (see page B9/14).

(2) Standard control circuit voltages (for other voltages, please consult your Regional Sales Office).

Volts ~	24	48	110	115	120	208	220	230	240	380	400	415	440
LC1F115...F225													
40...400 Hz (coil LX9)	-	E7	F7	FE7	G7	L7	M7	P7	U7	Q7	V7	N7	R7
LC1F265...F330													
40...400 Hz (coil LX1)	B7	E7	F7	FE7	G7	L7	M7	P7	U7	Q7	V7	N7	R7
LC1F400...F630, F1250													
40...400 Hz (coil LX1)	-	E7	F7	FE7	G7 (3)	L7	M7	P7	U7	Q7	V7	N7	R7
LC1F780													
40...400 Hz (coil LX1)	-	-	F7	FE7	F7	L7	M7	P7	U7	Q7	V7	N7	R7
LC1F800													
40...400 Hz (coil LX4) (4)	-	-	FW	FW	FW	-	MW	MW	MW	QW	QW	QW	-
LC1F1000, F1400, F1700, F2100, F2600													
40...400 Hz (coil LX1F)	-	-	F7	-	G7	-	M7	P7	U7	Q7	V7	N7	R7

Volts ---	24	48	110	125	220	230	250	400	440
LC1F115...F330									
(coil LX4F)	BD	ED	FD	GD	MD	MD	UD	-	RD
LC1F400...F630, F1250									
(coil LX4F)	-	ED	FD	GD	MD	-	UD	-	RD
LC1F780, LC1F1000, F1400, F1700, F2100, F2600									
(coil LX4F)	-	-	FD	GD	MD	-	UD	-	RD
LC1F800									
(coil LX4F)	-	-	FW	FW	MW	MW	-	QW	-

(3) F7 for LC1F630.

(4) Coil LX4F8●● + rectifier DR5TE●●.

TeSys

TeSys F High power contactors

Product references



LC1F1854...3304



LC1F4004...5004



LC1F6304



LC1F1250



LC1F1700...2100



LC1F2600

Coordination tables:
pages A6/36 to A6/56

Characteristics:
pages B9/44 to B9/53

Dimensions:
pages B9/54 to B9/57

Schemes:
pages B9/61 and B9/62

2, 3 or 4-pole contactors - Loads 200 to 2600 A / 440 V Category AC-1 - a.c. or d.c. coils

Maximum current in AC-1 ($\theta \leq 40^\circ\text{C}$)	Number of poles	Basic reference, to be completed by adding the voltage code ⁽²⁾ Screw fixing, cabling ⁽¹⁾	Weight
A			kg
200	3	LC1F115●●	3.430
	4	LC1F1154●●	3.830
250	3	LC1F150●●	3.430
	4	LC1F1504●●	3.830
275	3	LC1F185●●	4.390
	4	LC1F1854●●	5.450
315	3	LC1F225●●	4.750
	4	LC1F2254●●	5.550
350	3	LC1F265●●	7.440
	4	LC1F2654●●	8.540
400	3	LC1F330●●	8.600
	4	LC1F3304●●	9.500
500	2	LC1F4002●●	8.000
	3	LC1F400●●	9.100
	4	LC1F4004●●	10.200
	4	LC1F5004●●	12.950
700	2	LC1F5002●●	9.750
	3	LC1F500●●	11.350
	4	LC1F5004●●	12.950
	4	LC1F6304●●	21.500
1000	2	LC1F6302●●	15.500
	3	LC1F630●●	18.600
	4	LC1F6304●●	21.500
1200	3	LC1SF1200KUE	13.400
1260	3	LC1F1250●●	19.000
1400	3	LC1F1400●●	29.000
1600	3	LC1F780●●	39.500
	4	LC1F7804●●	48.000
1700	3	LC1F1700●●	30.000
2100 ⁽³⁾	3	LC1F2100●●	31.000
2600 ⁽⁴⁾	3	LC1F2600●●	36.000

Note: auxiliary contact blocks, modules and accessories: see pages B9/10 to B9/27.

⁽¹⁾ Power terminals can be protected against direct finger contact by the addition of shrouds, to be ordered separately (except LC1F780, LC1F1250, LC1F1400, LC1F1700 and LC1F2100), see page "TeSys contactors", page B9/14.

⁽²⁾ Standard control circuit voltages, see previous page.

⁽³⁾ With set of right-angled connectors LA9F2100 (see page B9/13).

⁽⁴⁾ With set of right-angled connectors LA9F2600 (see page B9/13).

COORD.



High power contactors

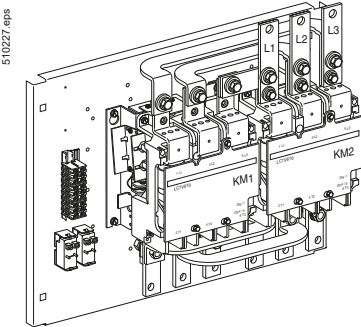
TeSys

TeSys V High power vacuum contactors

Product references



LC1V320



LC2V610



LA9V974

Vacuum contactors - Motors 160 to 610 A / 400 V - a.c. coils

Standard power ratings 50/60 Hz in category AC-3						Rated operational current le	Instan- taneous auxiliary contacts	Control circuit voltage (50/60 Hz)	Basic reference ⁽¹⁾	Weight	
230 V	400 V	525 V	690 V	1000 V	AC-3 400 V up to	AC-1 400 V up to				kg	
kW	kW	kW	kW	kW	A	A					
45	75	110	150	200	160	160	2	1	⁽¹⁾	LC1V160●●	3.800
90	160	220	280	400	320	320	1	1	⁽¹⁾	LC1V320●●	10.500
160	300	400	560	800	610	630	1	1	⁽¹⁾	LC1V610●●	13.000

Reversing vacuum contactors

The reversing contactor range comprises :

- for 160 A rating, a kit with set of power connections allowing assembly of the starter
- for 320 and 610 A ratings, a complete starter, ready for use.

Standard power ratings 50/60 Hz in category AC-3						Rated operational current le	Instan- taneous auxiliary contacts	Control circuit voltage (50/60 Hz)	Basic reference ⁽¹⁾	Weight	
230 V	400 V	525 V	690 V	1000 V	AC-3 400 V up to	AC-1 400 V up to				kg	
kW	kW	kW	kW	kW	A	A					
45	75	110	150	200	160	160	2	1	–	LA9V974 ⁽²⁾	1.200
90	160	220	280	400	320	320	1	1	110-120 V	LC2V320FE7	30
									220-240 V	LC2V320P7	30
									380-415 V	LC2V320V7	30
160	300	400	560	800	610	630	1	1	110-120 V	LC2V610FE7	36
									220-240 V	LC2V610P7	36

⁽¹⁾ Basic reference; add code indicating control circuit voltage.

Standard control circuit voltages:

Volts 50/60 Hz	110...120	220...240	380...415	440...480	550...600
Item	FE7	P7	V7	R7	X7

⁽²⁾ Kit containing a mechanical interlock, a set of power connections and a fixing plate. To build a complete reversing contactor, order contactors LC1V160●● separately.



High power contactors

PB121408.eps



LA1VN11

Instantaneous auxiliary contact blocks ⁽¹⁾			
Number of contacts	Maximum number of blocks per contactor	Auxiliary contacts	Reference
2	4		LA1VN11
			LA1VN02
			LA1VN20
			LA1VN11X ⁽²⁾

50/60 Hz coils		
Rated voltage	Voltage code	Reference
V		
For contactors LC1V160		
110...120	FE7	LX1V160FE7
220...240	P7	LX1V160P7
380...415	V7	LX1V160V7
440...480	R7	LX1V160R7
550...600	X7	LX1V160X7
For contactors LC1V320		
110...120	FE7	LX1V320FE7
220...240	P7	LX1V320P7
380...415	V7	LX1V320V7
440...480	R7	LX1V320R7
550...600	X7	LX1V320X7
For contactors LC1V610		
110...120	FE7	LX1V610FE7
220...240	P7	LX1V610P7
380...415	V7	LX1V610V7
440...480	R7	LX1V610R7
550...600	X7	LX1V610X7

PB121409.eps



LX1V320..

(1) LC1V160: auxiliary contact blocks mounted at the top of the contactor, with no change to the overall dimensions.

LC1V320 or LC1V610: 2 auxiliary contact blocks mounted on the RH and LH side of the contactor, with no change to the overall dimensions.

(2) For LC1V160: 1 N/C contact for the coil + 1 N/O contact.

TeSys

TeSys FG High power shockproof contactors

Product references



LC1FG150



LC1FG185



LC1FG265

Important notice: LC1FG range is planned for discontinuation without replacement. Before ordering, please consult your regional sales office for availability.

3-pole shockproof contactors - Motors 150 to 630 A / 440 V AC-3, loads 250 to 1000 A / 440 V / AC-1 - a.c. coil

Standard power ratings of 3-phase motors 50-60 Hz in category AC-3								Rated operational current in cat. AC-3, 440 V/AC-1 up to	Basic reference, to be completed by adding the voltage code ⁽¹⁾ Screw fixing, cabling ⁽²⁾	Weight
220 V 230 V	380 V 400 V	415 V	440 V	500 V	660 V 690 V	1000 V	A			
40	75	80	80	90	100	65	150/250	LC1FG150●●	3.430	
55	90	100	100	110	110	100	185/275	LC1FG185●●	4.650	
75	132	140	140	160	160	147	265/350	LC1FG265●●	7.440	
110	200	220	250	257	280	185	400/500	LC1FG400●●	9.100	
147	250	280	295	355	335	335	500/700	LC1FG500●●	11.350	
200	335	375	400	400	450	450	630/1000	LC1FG630●●	18.600	

Note: these contactors have instantaneous auxiliary contact blocks with 2 N/O contacts, 1 N/C contact and one coil maintaining contact.

(1) Power terminals can, if required, be protected against direct finger contact by the addition of shrouds, to be ordered separately. See page B9/14.

(2) Please consult your Regional Sales Office to get the details on available coil voltages.



High power contactors

TeSys

TeSys CR1F High power magnetic latching contactors

Product references





CR1F1854



CR1F500

3, 4 pole - Motors 150 to 630 A / 440 V / AC-3, loads 250 to 1000 A / 440 V AC-1 - a.c. or d.c. coils

Maximum thermal current in category AC-1 40 °C	Rated operational current in category AC-3 (440 V max)	Number of poles	Instantaneous auxiliary contacts		Basic reference, to be completed by adding the voltage code ⁽¹⁾	Weight
A	A					kg
250	150	3	–	–	CR1F150●●	3.500
		4	–	–	CR1F1504●●	3.800
275	185	3	–	–	CR1F185●●	4.600
		4	–	–	CR1F1854●●	5.400
350	265	3	–	–	CR1F265●●	7.400
		4	–	–	CR1F2654●●	8.500
500	400	3	–	–	CR1F400●●	9.100
		4	–	–	CR1F4004●●	10.200
700	500	3	–	–	CR1F500●●	11.300
		4	–	–	CR1F5004●●	12.900
1000	630	3	–	–	CR1F630●●	18.600
		4	–	–	CR1F6304●●	21.500

Note: accessories, replacement parts and spare coils, see pages B9/31 to B9/33.

(1) Standard control circuit voltages: see page B9/32.



High power contactors

TeSys

TeSys F High power reversing contactors

Product references

PE11245.eps



LC2F115

PE111902.eps



LA9F701...703



High power contactors

3-pole reversing contactors - Motors 115 to 265 A / 440 V / AC-3 - a.c. or d.c. coils

Pre-wired power connections (horizontally mounted) ⁽¹⁾

Standard power ratings of 3-phase motors 50/60 Hz in category AC-3						Operational current in AC-3	Maximum operational voltage	Contactors supplied without coil ⁽²⁾ Complete reference Fixing, cabling ⁽³⁾	Weight
220 V	380 V	415 V	440 V	500 V	660 V				
30	55	59	59	75	80	440 V up to			
40	75	80	80	90	100	A	V	kg	
55	90	100	100	110	110	115	690	LC2F115	7.560
63	110	110	110	129	129	150	690	LC2F150	7.560
75	132	140	140	160	160	185	690	LC2F185	10.100
						225	690	LC2F225	14.200
						265	690	LC2F265	16.480

Accessories (to be ordered separately)

Description	For reversing contactors	Quantity required	Reference
Power terminal protection shrouds	LC2F115	2	LA9F701
	LC2F150, F185	2	LA9F702
	LC2F225, F265	2	LA9F703
Auxiliary contact blocks and add-on modules	–	–	See pages B9/10 to B9/14

⁽¹⁾ Fitted with a mechanical interlock without electrical interlocking. Order separately 2 auxiliary contact blocks **LADN•1** to obtain electrical interlocking between the 2 contactors, see page B9/11. For accessories, see pages B9/12 to B9/14.

⁽²⁾ Coils to be ordered separately:
- a.c. supply, see pages B9/2, B9/17 and B9/18,
- d.c. supply, see pages B9/2 and B9/23.

⁽³⁾ Screw fixing.
Power terminals can be protected against direct finger contact by the addition of shrouds, to be ordered separately, see above.



Control Panel Technical Guide:

Description and product reference of all mounting kits and wiring accessories for TeSys D, K, F - Star Delta, reverser, low-high speed control motor starters and changeover applications.

> Ref. Document: CPTG011_EN



> Click on QR code to download

TeSys

TeSys F High power changeover contactors

Product references

PB112360.eps



LC2F1854

PB116922.eps



LA9F706...708

4-pole changeover contactor pairs - Loads 200 to 350 A AC-1 - a.c. or d.c. coils

Pre-wired power connections (horizontally mounted) ⁽¹⁾

Utilisation category AC-1 Non inductive loads Maximum operational current $\theta < 40\text{ }^\circ\text{C}$	Maximum operational voltage	Contactors supplied without coil ⁽²⁾ Complete reference Fixing, cabling ⁽³⁾	Weight
A	V		kg
200	690	LC2F1154	8.860
250	690	LC2F1504	8.860
275	690	LC2F1854	12.100
315	690	LC2F2254	15.200
350	1000	LC2F2654	19.480

Accessories (to be ordered separately)

Description	For changeover pairs	Quantity required	Reference
Power terminal protection shrouds	LC2F1154	2	LA9F706
	LC2F1504, F1854	2	LA9F707
	LC2F2254, F2654	2	LA9F708
Auxiliary contact blocks – and add-on modules	–	–	See pages B9/10 to B9/14

⁽¹⁾ Fitted with a mechanical interlock without electrical interlocking. Order separately 2 auxiliary contact blocks **LADN•1** to obtain electrical interlocking between the 2 contactors, see page B9/11. For accessories, see pages B9/12 to B9/14.

⁽²⁾ Coils to be ordered separately:
- a.c. supply, B9/2, B9/17 and B9/18,
- d.c. supply, see pages B9/2 and B9/23.

⁽³⁾ Screw fixing.
Power terminals can be protected against direct finger contact by the addition of shrouds, to be ordered separately, see above.



High power
contactors



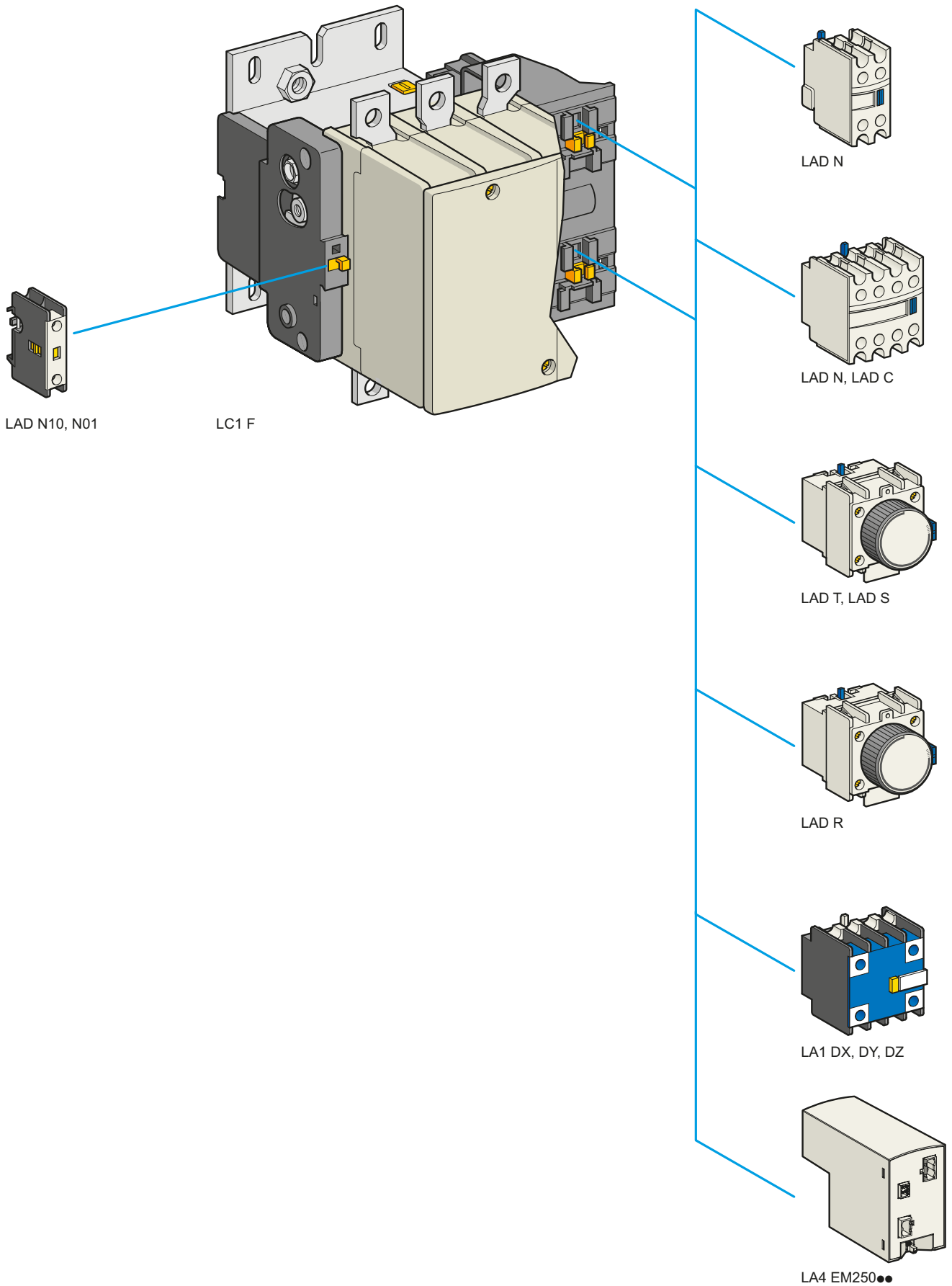
Control Panel Technical Guide:

Description and product reference of all mounting kits and wiring accessories for TeSys D, K, F - Star Delta, reverser, low-high speed control motor starters and changeover applications.

> Ref. Document: CPTG011_EN





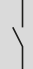

> Click on QR code
to download



High power contactors

Instantaneous auxiliary contact blocks

For use in normal operating environments

Number of contacts	Maximum number of blocks per contactor Clip-on mounting	Composition				Reference
						
1	1	-	-	1	-	LADN10
		-	-	-	1	LADN01
2	2	-	-	1	1	LADN11
		-	-	2	-	LADN20
		-	-	-	2	LADN02
4	2	-	-	2	2	LADN22
		-	-	1	3	LADN13
		-	-	4	-	LADN40
		-	-	-	4	LADN04
		-	-	3	1	LADN31
		-	-	2	2 ⁽¹⁾	LADC22

With terminal referencing conforming to EN 50012



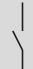

2	2	-	-	1	1	LADN11P
		-	-	1	1	LADN11G
4	2	-	-	2	2	LADN22P
		-	-	2	2	LADN22G

Instantaneous auxiliary contact blocks for connection by lugs

This type of connection is not possible for blocks with 1 contact or blocks with dust and damp protected contacts. For all other instantaneous auxiliary contact blocks, add the figure 6 to the end of the references selected above. Example: LADN11 becomes LADN116.

Instantaneous auxiliary contact blocks with dust and damp protected contacts

Recommended for use in particularly harsh industrial environments

Number of contacts	Maximum number of blocks per contactor Clip-on mounting	Composition				Reference
						
2	2	2	-	-	-	LA1DX20
		2	2 ⁽²⁾	-	-	LA1DY20
4	2	2	-	2	-	LA1DZ40
		2	-	1	1	LA1DZ31

Time delay auxiliary contact blocks

Number of contacts	Maximum number of blocks per contactor Clip-on mounting	Time delay		Reference
		Type	Range s	
1 N/O +	2	On-delay	0...3 ⁽³⁾	LADT0
			1...30	LADT2
		Off-delay	10...180	LADT4
			1...30 ⁽⁴⁾	LADS2
1 N/C	2	Off-delay	0...3 ⁽³⁾	LADR0
			1...30	LADR2
			10...180	LADR4

(1) Including 1 N/O + 1 N/C make before break.

(2) Device fitted with 4 earth screen continuity terminals.

(3) With extended scale from 0.1 to 0.6 s.

(4) With switching time of 40 ms ± 15 ms between opening of the N/C contact and closing of the N/O contact.



PB111612.eps



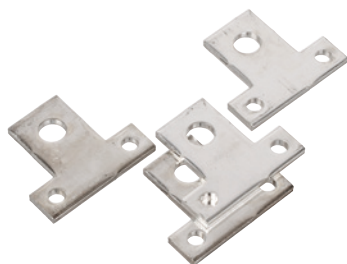
LA9D09981

PB111603.eps



LA4F...

PB111627.eps



LA9F...602

PB111628.eps



LA9F...601

High power contactors

PB112313.eps



DZ3FA3

Suppressor blocks ⁽¹⁾

RC circuits (resistor-capacitor)

- Effective protection for circuits highly sensitive to "high frequency" interference. For use only in cases where the voltage is virtually sinusoidal, i.e. less than 5 % total harmonic distortion.
- Voltage limited to 3 U_c max. and oscillating frequency limited to 400 Hz max.
- Slight increase in drop-out time (1.1 to 1.3 times the normal time).

Mounting	U_c		Reference
Clip-on mounting on all ratings and all a.c. coils.	~	24...48 V	LA4FRCE
		50...110 V	LA4FRCF
		127...240 V	LA4FRCP
		265...415 V	LA4FRCV
Suppressor block bracket			LA9D09981

Varistors (peak limiting)

- Protection provided by limiting the transient voltage to 2 U_c max.
- Maximum reduction of transient voltage peaks.

Mounting	U_c		Reference
Clip-on mounting on all ratings and all coils.	~ or ---	24...48 V	LA4FVE
		50...110 V	LA4FVF
		127...240 V	LA4FVP
		265...415 V	LA4FVV

Diodes

- No overvoltage or oscillating frequencies.
- Increase in drop-out time (3 to 4 times the normal time).
- Polarised component.

Mounting	U_c		Reference
Clip-on mounting on all ratings and all d.c. coils.	---	24...48 V	LA4FDE
		55...110 V	LA4FDF
		125...250 V	LA4FDP
		280...440 V	LA4FDV

Bidirectional peak limiting diodes (transil)

- Protection provided by limiting the transient voltage to between 2 and 2.5 times U_c max.
- Maximum reduction of transient voltage peaks.

Mounting	U_c		Reference
Clip-on mounting on all ratings and all coils.	~ or ---	24...48 V	LA4FTE
		50...110 V	LA4FTF
		127...240 V	LA4FTP
		265...415 V	LA4FTV

Connection accessories

For use on 4-pole contactors	Set of 4 links	Weight kg
	Set reference	
Links for parallel connection of poles (in pairs)		
LC1F1154	LA9FF602	0.200
LC1F1504, F1854	LA9FG602	0.350
LC1F2254, F2654, F3304, F4004	LA9FH602	1.000
LC1F5004	LA9FK602	1.750
LC1F6304	LA9FL602	3.000
Links for "star" connection of 3 poles		
LC1F115	LA9FF601	0.035
LC1F150, F185	LA9FG601	0.050
LC1F225, F265, F330, F400	LA9FH601	0.120
LC1F500	LA9FK601	0.180
LC1F630, F800	LA9FL601	0.550

Control circuit voltage take-off from power terminals

For use with contactors	Mounted on bolt size	Sold in lots of	Unit reference
LC1F115	M6	10	DZ3FA3
LC1F150, F185	M8	10	DZ3GA3
LC1F225...F500	M10	10	DZ3HA3
LC1F630, F800	M12	10	DZ3JA3

⁽¹⁾ Order 2 x LA4F... for F780, F1000, F1400, F1700, F2100 & F2600 contactors and connect one suppressor block across each coil. For example, for a LC1F1400M7 (220 V coil) contactor, use 2 x LA4FRCF (110 V) as RC type surge suppressors.

PB11625.eps



LA9F981 (set of 3)

PB11626.eps



LA9F979 (set of 3)

PB11624.eps



LA9FL980 (set of 3)

PB107577.eps



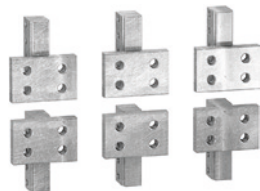
LA9F1250 (set of 6)

PB107578.eps



LA9F2100 (set of 6)

PB114813.eps



LA9F2600 (set of 6)

PB11593.eps



LA7F404 (set of 3)

Right-angled connectors

For contactors or thermal overload relays

For use with Contactors	Thermal overload relays ⁽¹⁾	With connector plates		Set of 3 connectors	
		Width	Type	Set reference	Weight kg
LC1F115	LR9F567, LR9F67	15 mm	Rear	LA9FF981	0.060
			Side	LA9FF979	0.240
			Large surface area	LA9FF980	0.150
LC1F150, F185	LR9F569, F571, LR9F69, F71	20 mm	Rear	LA9FG981	0.080
			Side	LA9FG979	0.350
			Large surface area	LA9FG980	0.200
LC1F225, F265, F330, F400	LR9F775, LR9F75	25 mm	Rear	LA9FJ981	0.430
			Side	LA9FJ979	0.750
			Large surface area	LA9FJ980	0.490
LC1F500	LR9F779, F781, LR9F79, F81	30 mm	Rear	LA9FK981	0.480
			Side	LA9FK979	0.920
			Large surface area	LA9FK980	0.800
LC1F630, F800	LR9F781, LR9F81	40 mm	Rear	LA9FL981	1.210
			Side	LA9FL979	2.570
			Large surface area	LA9FL980	3.190

For use with Contactors	With connector plates Width	With connector plates Type	Set of 6 connectors	
			Set reference	Weight kg
LC1F1250	60 mm	Rear	LA9F1250	5.480
LC1F1000, F1400, F1700, F2100	60 mm	Rear	LA9F2100	9.550
LC1F2600	100 mm	Rear	LA9F2600	4.380

Connection accessories

For reversing contactors or "star-delta" contactors combined with a thermal overload relay

For use with Contactors	Thermal overload relays ⁽¹⁾	Width of connector plates	Set of 3 busbars
			Set reference
LC1F115	LR9F557, F563 LR9F567, F569 LR9F69, F71	15 mm	LA7F401
LC1F150 and F185	LR9F557, F563	20 mm	LA7F402
LC1F185	LR9F571, LR9F71	25 mm	LA7F407
LC1F225 and F265	LR9F571, LR9F71	25 mm	LA7F403
	LR9F775, F779 LR9F75, F79	25 mm	LA7F404
LC1F330 and F400	LR9F775, F779 LR9F75, F79	25 mm	LA7F404
LC1F400	LR9F781, LR9F81	25 mm	LA7F404
LC1F500	LR9F775, F779 LR9F781 LR9F75, F79, F81	30 mm	LA7F405
LC1F630, F800	LR9F781, LR9F81	40 mm	LA7F406

⁽¹⁾ For protection relays class 10, replace the ● with a 3 and for class 20, replace the ● with a 5.

TeSys

TeSys F High power contactors - Accessories

Product references



PB11017.eps

LA9F103



PB11592.eps

LA9F701



PB12130.eps

LA9F801



PB121429.eps

LA4EM250FK

High power contactors

Insulated terminal blocks

For use on 3-pole contactors	Connection	Tightening tool	Set of 2 blocks Set reference
LC1F115, F150, F185	1 x 16...150 mm ² or 2 x 16...95 mm ²	4 mm hexagonal socket key	LA9F103

Power terminal protection shrouds

For use on 2, 3 and 4-pole contactors	Number of shrouds per set	Set reference
LC1F115	6	LA9F701
LC1F150, F185	6	LA9F702
LC1F225, F265, F330, F400 and F4002 F500 and F5002	6	LA9F703
LC1F630, F6302 and F800	6	LA9F704
LC1F1154	8	LA9F706
LC1F1504 and F1854	8	LA9F707
LC1F2254, F2654, F3304, F4004, F5004	8	LA9F708
LC1F6304	8	LA9F709

Phase separators

For use on 3-pole contactors	No. of barriers per set	Set reference
LC1F1400, F1700 F2100 and F2600	4	LA9F801

Electronic Control Module (ECM) ⁽¹⁾

For use on 2, 3 and 4-pole contactors	With coil reference	ECM reference
LC1F115, F150	LXEFF250	LA4EM250FF
LC1F185, F225	LXEFG250	LA4EM250FG
LC1F265, F330	LXEFH250	LA4EM250FH
LC1F400	LXEFJ250	LA4EM250FJ
LC1F500	LXEFK250	LA4EM250FK ⁽²⁾
LC1F630	LXEFL250	LA4EM250FL ⁽²⁾
LC1F800	LXEFW250	LA4EM250FW
LC1SF1200	LXEFK250	LA4EM250FK
LC1F1250	LXEFL250	LA4EM250FL ⁽²⁾

⁽¹⁾ ECM enables wider coil operating voltage for the TeSys F range of contactors.

⁽²⁾ These ECM references + LXE coils will be available for ordering by end of June 2020.

Note: Refer to page numbers B9/52, B9/53 for detailed technical information.



Control Panel Technical Guide:

Description and product reference of all mounting kits and wiring accessories for TeSys D, K, F - Star Delta, reverser, low-high speed control motor starters and changeover applications.

> Ref. Document: CPTG011_EN



> Click on QR code to download

TeSys

TeSys F High power contactors - Accessories

Product references

PB121428.eps



LA5FG431

PB11605.eps



LA5F11550

PB11606.eps



LA5F63050

Sets of contacts

Per pole: 2 fixed contacts, 1 moving contact, 2 deflectors, 1 back-plate, clamping screws and washers.

For contactor	Type	Replacement for	Reference	Weight kg
2-pole	LC1F4002	2 poles	LA5F400802	1.350
	LC1F5002	2 poles	LA5F500802	1.950
	LC1F6302	2 poles	LA5F630802	4.700
3-pole	LC1F115. F150	3 poles	LA5FF431	0.270
	LC1F185. F225	3 poles	LA5FG431	0.350
	LC1F265	3 poles	LA5FH431	0.660
	LC1F330. F400	3 poles	LA5F400803	2.000
	LC1F500	3 poles	LA5F500803	2.950
	LC1F630	3 poles	LA5F630803	6.100
	LC1F780	1 pole	LA5F780801 ⁽¹⁾	4.700
4-pole		3 poles	LA5F780803	13.200
	LC1F800	3 poles	LA5F800803	6.100
	LC1F1504. F1154	4 poles	LA5FF441	0.360
	LC1F1854. F2254	4 poles	LA5FG441	0.465
	LC1F2654	4 poles	LA5FH441	0.880
	LC1F3304. F4004	4 poles	LA5F400804	2.700
	LC1F5004	4 poles	LA5F500804	3.900
	LC1F6304	4 poles	LA5F630804	8.150
	LC1F7804	1 pole	LA5F780801 ⁽¹⁾	4.700
		4 poles	LA5F780804	17.300

Arc chambers

For contactor	Type	Replacement for	Reference	Weight kg
2-pole	LC1F4002	2 poles	LA5F400250	0.870
	LC1F5002	2 poles	LA5F500250	1.250
	LC1F6302	2 poles	LA5F630250	2.100
3-pole	LC1F115	3 poles	LA5F11550	0.490
	LC1F150	3 poles	LA5F15050	0.490
	LC1F185	3 poles	LA5F18550	0.670
	LC1F225	3 poles	LA5F22550	0.670
	LC1F265	3 poles	LA5F26550	0.920
	LC1F330	3 poles	LA5F33050	1.300
	LC1F400	3 poles	LA5F40050	1.300
	LC1F500	3 poles	LA5F50050	1.850
	LC1F630	3 poles	LA5F63050	3.150
	LC1F780	1 pole	LA5F780150 ⁽¹⁾	2.100
4-pole	LC1F800	3 poles	LA5F80050	3.150
	LC1F1154	4 poles	LA5F115450	0.660
	LC1F1504	4 poles	LA5F150450	0.660
	LC1F1854	4 poles	LA5F185450	0.910
	LC1F2254	4 poles	LA5F225450	1.000
	LC1F2654	4 poles	LA5F265450	1.220
	LC1F3304	4 poles	LA5F330450	1.740
	LC1F4004	4 poles	LA5F400450 ⁽²⁾	1.740
	LC1F5004	4 poles	LA5F500450 ⁽²⁾	2.500
	LC1F6304	4 poles	LA5F630450 ⁽³⁾	4.200
LC1F7804	1 pole	LA5F780150 ⁽¹⁾	2.100	

⁽¹⁾ Comprising 2 identical items per pole.

⁽²⁾ Comprising two 2-pole arc chambers.

⁽³⁾ Comprising single-pole arc chambers.

High power contactors

PB112314.eps



LAZR90F



High power contactors

Capacitive delayed opening device

These devices prevent inadvertent opening of a contactor in the event of a brief volt drop or momentary supply failure.

For contactors with d.c. coil supply

For use with contactor		Corresponding delayed opening device			
Type	With coil	Supply voltage 50/60 Hz	Non-adjustable delay time (Tr)	Reference	
		V	s		
LC1F115 or LC1F150	LX4FF110	110	2...5	LAZR90F	
	LX4FF125	127	2...5	LAZR90F	
	LX4FF220	220	2...5	LAZR90M	
	LX4FF250	240	2...5	LAZR90M	
	LX4FF375	380...415	2...5	LAZR90Q	
LC1F185 or LC1F225	LX4FG110	110	2...5	LAZR90F	
	LX4FG125	127	2...5	LAZR90F	
	LX4FG220	220	2...5	LAZR90M	
	LX4FG250	240	2...5	LAZR90M	
	LX4FG375	380...415	2...5	LAZR90Q	
LC1F265 or LC1F330	LX4FH110	110	2...5	LAZR90F	
	LX4FH125	127	2...5	LAZR90F	
	LX4FH220	220	2...5	LAZR90M	
	LX4FH250	240	2...5	LAZR90M	
	LX4FH375	380...415	2...5	LAZR90Q	
LC1F400	LX4FJ110	110	1...2	LAZR90F	
	LX4FJ125	127	1...2	LAZR90F	
	LX4FJ220	220	1...2	LAZR90M	
	LX4FJ250	240	1...2	LAZR90M	
	LX4FJ375	380	1...2	LAZR90Q	
LC1F400	LX4FJ400	415	1...2	LAZR90Q	
	LX4FJ440	440	1...2	LAZR90Q	
	LC1F500	LX4FK110	110	1...2	LAZR90F
		LX4FK125	127	1...2	LAZR90F
		LX4FK220	220	1...2	LAZR90M
LX4FK250		240	1...2	LAZR90M	
LX4FK375		380	1...2	LAZR90Q	
LC1F500	LX4FK400	415	1...2	LAZR90Q	
	LX4FK440	440	1...2	LAZR90Q	
	LC1F630	LX4FL110	110	1...2	LAZR90F
		LX4FL125	127	1...2	LAZR90F
		LX4FL220	220	1...2	LAZR90M
LX4FL250		240	1...2	LAZR90M	
LX4FL375		380	1...2	LAZR90Q	
LC1F630	LX4FL400	415	1...2	LAZR90Q	
	LX4FL440	440	1...2	LAZR90Q	

Add-on blocks for delayed opening devices

Application	For use with delayed opening device	Operational voltage	Non-adjustable delay time	Reference
		V	s	
To double the delay time	LAZR90F	110...127	Tr x 2	LAZR91F
	LAZR90M	220...240	Tr x 2	LAZR91M
	LAZR90Q	380...440	Tr x 2	LAZR91Q

Other versions

Delayed opening devices for use with other types of contactor. Please consult your Regional Sales Office.

PB112332.eps



LX9FF●●●

PB121427.eps



LX9FG●●●

PB121426.eps



LXEFK250

Specifications

Average consumption at 20 °C; 50 Hz/ 60 Hz;

cos ϕ = 0.5:

■ inrush: 550 VA

■ sealed: 8 VA.

Heat dissipation: 5 W.

Operating time at U_c : closing = 40...80 ms,

opening = 10...40 ms.

Operating cycles/hour ($\theta \leq 55$ °C): 1200.

Embedded PLC input according IEC 61131-2 type 2:

■ Off state: 0...5 V DC

■ On state: 11...30 V DC.

Coils for a.c., 40...400 Hz control voltage

Low sealed consumption.

High tolerance to inrush voltage drops.

Immune to micro-breaks (mains supply or contact chain).

Operate on networks with harmonic numbers ≤ 7 .

Control circuit voltage U_c	Average resistance at 20 °C ± 10 %		Inductance of closed circuit	Voltage code	Reference
	Inrush	Sealed			
V	Ω	Ω	H		
For contactors LC1F115 and LC1F150					
24	0.97	26.3	0.15	B7	LX9FF024
42	2.51	64.5	0.3	D7	LX9FF042
48	3.03	80.2	0.3	E7	LX9FF048
110	14.8	579	2.08	F7	LX9FF110
115	14.8	579	2.08	FE7	LX9FF110
120/127	19	746	2.65	G7	LX9FF127
220	59.4	2190	7.7	M7	LX9FF220
230	59.4	2190	7.7	P7	LX9FF220
240	73.5	2750	9.68	U7	LX9FF240
380	173	6540	23	Q7	LX9FF380
400	173	6540	23	V7	LX9FF380
415	218	8460	30	N7	LX9FF415
440	218	8460	30	R7	LX9FF415
500	262	10300	36	S7	LX9FF500
600	501	29674	43.58	X7	LX9FF600

Specifications

Average consumption at 20 °C: inrush: 690...855 VA, sealed: 6.6...8.1 VA.

Heat dissipation: 5.9...7.2 W.

Operating cycles/hour ($\theta \leq 55$ °C): < 2400.

Operating time at U_c : closing = 35 ms, opening = 130 ms.

For contactors LC1F185 and LC1F225

24	0.56	34	0.13	B7	LX9FG024
42	1.8	46	0.25	D7	LX9FG042
48	2.2	60	0.23	E7	LX9FG048
110	10.4	411	1.46	F7	LX9FG110
115	10.4	411	1.46	FE7	LX9FG110
120/127	13	520	1.85	G7	LX9FG127
220	42.1	1680	5.84	M7	LX9FG220
230	42.1	1680	5.84	P7	LX9FG220
240	50.6	2060	7.22	U7	LX9FG240
380	128	4730	16.4	Q7	LX9FG380
400	128	4730	16.4	V7	LX9FG380
415	157	5930	20.6	N7	LX9FG415
440	157	5930	20.6	R7	LX9FG415
500	194	7550	26.3	S7	LX9FG500
600	406	19550	36.1	X7	LX9FG600

Specifications

Average consumption at 20 °C: inrush: 950...1180 VA, sealed: 8.9...10.9 VA.

Heat dissipation: 8...9.8 W.

Operating cycles/hour ($\theta \leq 55$ °C): < 2400.

Operating time at U_c : closing = 35 ms, opening = 130 ms.

For contactor LC1SF1200

100...250	100...250	9.16	0.16	KUE	LXEFK250
-----------	-----------	------	------	-----	----------

Coils for a.c., 40...400 Hz control voltage

Low sealed consumption.

Operate on networks with harmonic numbers ≤ 7 .

PB121425.eps



LX1FH●●●2

Control circuit voltage Uc	Average resistance at 20 °C ±10 %		Inductance of closed circuit	Voltage code	Reference
	Inrush	Sealed			
V	Ω	Ω	H		
For contactors LC1F265 and LC1F330					
24	0.8	20	(1)	B7	LX1FH0242
48	2.96	67	(1)	E7	LX1FH0482
110	18.7	440	(1)	F7	LX1FH1102
115	18.7	440	(1)	FE7	LX1FH1102
120/127	22.9	536	(1)	G7	LX1FH1272
200/208	58.4	1366	(1)	L7	LX1FH2002
220	70.6	1578	(1)	M7	LX1FH2202
230	70.6	1578	(1)	P7	LX1FH2202
240	87.94	1968	(1)	U7	LX1FH2402
277	113	2444	(1)	W7	LX1FH2772
380	217	4631	(1)	Q7	LX1FH3802
400	217	4631	(1)	V7	LX1FH3802
415	217	4631	(1)	N7	LX1FH3802
440	265	6731	(1)	R7	LX1FH4402
480/500	329	8543	(1)	S7	LX1FH5002
600/660	296	10245	(1)	X7	LX1FH6002
1000	696	25880	(1)	–	LX1FH10002

Specifications

Average consumption at 20 °C for 50 or 60 Hz and $\cos \varphi = 0.9$:

■ inrush: 600...700 VA

■ sealed: 8...10 VA.

Heat dissipation: 8 W.

Operating time at U_c: closing = 40...65 ms, opening = 100...170 ms.

Operating cycles/hour ($\theta \leq 55$ °C): ≤ 2400 .

PB121432.eps



LX1FJ●●●

For contactor LC1F400					
48	1.6	29.5	0.18	E7	LX1FJ048
110/120	9.8	230	1.35	F7	LX1FJ110
115	9.8	230	1.35	FE7	LX1FJ110
120/127	12.8	280	1.75	G7	LX1FJ127
200/208	30	815	4.1	L7	LX1FJ200
220	37	1030	5.1	M7	LX1FJ220
230	37	1030	5.1	P7	LX1FJ220
240	47.5	1320	6.4	U7	LX1FJ240
265/277	61	1700	8.1	W7	LX1FJ280
380	120	3310	15.8	Q7	LX1FJ380
400	120	3310	15.8	V7	LX1FJ380
415	145	4070	19.4	N7	LX1FJ415
440	145	4070	19.4	R7	LX1FJ415
500	190	4980	25.5	S7	LX1FJ500
550/600	243	6310	27.4	X7	LX1FJ600
1000	720	19420	84.6	–	LX1FJ1000

Specifications

Average consumption at 20 °C for 50 or 60 Hz and $\cos \varphi = 0.9$:

■ inrush: 1000...1150 VA

■ sealed: 12...18 VA.

Heat dissipation: 14 W.

Operating time at U_c: closing = 40...75 ms, opening = 100...170 ms.

Operating cycles/hour ($\theta \leq 55$ °C): ≤ 2400 .

(1) Please consult your Regional Sales Office.

PB121423.eps



LX1FK●●●

PB121424.eps



LX1FL●●●

Coils for a.c., 40...400 Hz control voltage

Low sealed consumption.

Operate on networks with harmonic numbers ≤ 7 .

Control circuit voltage Uc	Average resistance at 20 °C $\pm 10\%$		Inductance of closed circuit H	Voltage code	Reference	Weight kg
	Inrush Ω	Sealed Ω				
For contactor LC1F500						
48	1.9	33.5	0.19	E7	LX1FK048	1.150
110/120	9.55	260	1.25	F7	LX1FK110	1.150
115	9.55	260	1.25	FE7	LX1FK110	1.150
120/127	11.5	315	1.5	G7	LX1FK127	1.150
200/208	29	735	3.75	L7	LX1FK200	1.150
220	35.5	915	4.55	M7	LX1FK220	1.150
230	35.5	915	4.55	P7	LX1FK220	1.150
240	44.5	1160	5.75	U7	LX1FK240	1.150
265/277	56.5	1490	7.3	W7	LX1FK280	1.150
380	112	2980	14.7	Q7	LX1FK380	1.150
400	112	2980	14.7	V7	LX1FK380	1.150
415	143	3730	18.4	N7	LX1FK415	1.150
440	143	3730	18.4	R7	LX1FK415	1.150
500	172	4590	22.8	S7	LX1FK500	1.150
550/600	232	5660	23.9	X7	LX1FK600	1.150
1000	679	16960	72	-	LX1FK1000	1.150

Specifications

Average consumption at 20 °C for 50 or 60 Hz, $\cos \varphi = 0.9$:

■ inrush: 1050...1150 VA,

■ sealed: 16...20 VA.

Operating cycles/hour ($\theta \leq 55\text{ °C}$): ≤ 2400 .

Heat dissipation: 18 W.

Operating time at U_c: closing = 40...75 ms, opening = 100...170 ms.

For contactors LC1F630 and LC1F1250

48	1.1	17.1	0.09	E7	LX1FL048 ⁽¹⁾	1.500
110/120	6.45	165	1.85	F7	LX1FL110	1.500
115	6.45	165	1.85	FE7	LX1FL110	1.500
127	8.1	205	1.05	G7	LX1FL127	1.500
200/208	20.5	605	2.65	L7	LX1FL200	1.500
220	25.5	730	3.35	M7	LX1FL220	1.500
230	25.5	730	3.35	P7	LX1FL220	1.500
240	25.5	730	3.35	U7	LX1FL220	1.500
265/277	31	900	4.1	W7	LX1FL260	1.500
380	78	2360	10.5	Q7	LX1FL380	1.500
400	78	2360	10.5	V7	LX1FL380	1.500
415	96	2960	13	N7	LX1FL415	1.500
440	96	2960	13	R7	LX1FL415	1.500
500	120	3660	16.5	S7	LX1FL500	1.500
550/600	155	4560	19.5	X7	LX1FL600	1.500
1000	474	12880	56.2	-	LX1FL1000 ⁽¹⁾	1.500

⁽¹⁾ Incompatible with LC1F1250.

Specifications

Average consumption at 20 °C for 50 or 60 Hz, $\cos \varphi = 0.9$:

■ inrush: 1500...1730 VA,

■ sealed: 20...25 VA.

Operating cycles/hour ($\theta \leq 55\text{ °C}$): 1200.

Heat dissipation: 20 W.

Operating time at U_c: closing = 40...80 ms, opening = 100...200 ms.

Specifications

Average consumption at 20 °C for 50 or 60 Hz, $\cos \varphi = 0.9$:

■ inrush: 1900...2300 VA, sealed: 44...55 VA.
Operating cycles/hour ($\theta \leq 55$ °C): 600.

Heat dissipation: 2 x 22 W.

Operating time at U_c : closing = 40...80 ms,
opening = 130...230 ms.

PB121231.eps



LX1FX●●●

Specifications

Operating cycles/hour ($\theta \leq 55$ °C): 600.

Average consumption at 20 °C for 50 or 60 Hz, $\cos \varphi = 0.8$:

■ inrush: 1700 VA, sealed: 12 VA.

Operating time at U_c : closing = 60...80 ms,
opening = 160...180 ms.

Specifications

Average consumption at 20 °C for 50 or 60 Hz, $\cos \varphi = 0.9$:

■ inrush: 1600...2400 VA, sealed: 29...37 VA.
Operating cycles/hour ($\theta \leq 55$ °C): 600.

Heat dissipation: 2 x 18 W.

Operating time at U_c : closing = 40...75 ms,
opening = 100...170 ms.

PB121422.eps



LX1FK●●●

Specifications

Average consumption at 20 °C for 50 or 60 Hz, $\cos \varphi = 0.9$:

■ inrush: 2200...2700 VA, sealed: 37.4...50.6 VA.
Operating cycles/hour ($\theta \leq 55$ °C): 600.

Heat dissipation: 2 x 25 W.

Operating time at U_c : closing = 40...80 ms,
opening = 100...200 ms.

PB121421.eps



LX1FL●●●

(1) Reference of set of 2 identical coils, to be connected in series.

(2) Value for the 2 coils in series.

(3) Order 2 coils and connect them in series.

Coils for a.c., 40...400 Hz control voltage

Low sealed consumption.

Operate on networks with harmonic numbers ≤ 7 .

Control circuit voltage U_c	Average resistance at 20 °C ± 10 %		Inductance of closed circuit	Voltage code	Reference	Weight
	Inrush	Sealed				
V	Ω	Ω	H			kg
For contactor LC1F780						
110/120	4.95 ⁽²⁾	230 ⁽²⁾	0.21	F7	LX1FX110 ⁽¹⁾	3.000
115	4.95 ⁽²⁾	230 ⁽²⁾	0.21	FE7	LX1FX110 ⁽¹⁾	3.000
127	6.1 ⁽²⁾	280 ⁽²⁾	0.26	G7	LX1FX127 ⁽¹⁾	3.000
200/208	15.5 ⁽²⁾	750 ⁽²⁾	0.66	L7	LX1FX200 ⁽¹⁾	3.000
220	19.5 ⁽²⁾	920 ⁽²⁾	0.82	M7	LX1FX220 ⁽¹⁾	3.000
230	19.5 ⁽²⁾	920 ⁽²⁾	0.82	P7	LX1FX220 ⁽¹⁾	3.000
240	19.5 ⁽²⁾	920 ⁽²⁾	0.82	U7	LX1FX220 ⁽¹⁾	3.000
265/277	29.8 ⁽²⁾	1330 ⁽²⁾	1.25	W7	LX1FX280 ⁽¹⁾	3.000
380	60.9 ⁽²⁾	2780 ⁽²⁾	2.3	Q7	LX1FX380 ⁽¹⁾	3.000
400	60.9 ⁽²⁾	2780 ⁽²⁾	2.3	V7	LX1FX380 ⁽¹⁾	3.000
415/480	74.3 ⁽²⁾	3340 ⁽²⁾	2.8	N7	LX1FX415 ⁽¹⁾	3.000
440	74.3 ⁽²⁾	3340 ⁽²⁾	2.8	R7	LX1FX415 ⁽¹⁾	3.000
500	92 ⁽²⁾	4180 ⁽²⁾	3.5	S7	LX1FX500 ⁽¹⁾	3.000

Control circuit voltage U_c	Voltage code	Rectifier Reference	Coil Reference	Weight
V				kg
For contactor LC1F800				
110/127	FW	DR5TE4U	LX4F8FW	1.650
220/240	MW	DR5TE4U	LX4F8MW	1.650
380/400	QW	DR5TE4S	LX4F8QW	1.650

Control circuit voltage U_c	Average resistance at 20 °C ± 10 %		Inductance of closed circuit	Voltage code	Reference	Weight
	Inrush	Sealed				
V	Ω	Ω	H			kg
For contactor LC1F1000						
110	4.718	98.4	0.63	F7	LX1FK055 ⁽³⁾	1.150
120	5.92	106	0.72	G7	LX1FK065 ⁽³⁾	1.150
For contactors LC1F1400, LC1F1700 and LC1F2100						
110	5.92	106	0.72	F7	LX1FK065 ⁽³⁾	1.150
120	5.92	106	0.72	G7	LX1FK070 ⁽³⁾	1.150
For contactors LC1F1000, LC1F1400, LC1F1700 and LC1F2100						
220	9.55	260	1.25	M7	LX1FK110 ⁽³⁾	1.150
230	9.55	260	1.25	P7	LX1FK110 ⁽³⁾	1.150
240	11.5	315	1.50	U7	LX1FK127 ⁽³⁾	1.150
277	16.5	420	2.25	W7	LX1FK140 ⁽³⁾	1.150
380	29	735	3.75	Q7	LX1FK200 ⁽³⁾	1.150
400	29	735	3.75	V7	LX1FK200 ⁽³⁾	1.150
415	35.5	915	4.55	N7	LX1FK220 ⁽³⁾	1.150
440	35.5	915	4.55	R7	LX1FK220 ⁽³⁾	1.150
500	44.5	1160	5.75	S7	LX1FK240 ⁽³⁾	1.150

Control circuit voltage U_c	Average resistance at 20 °C ± 10 %		Inductance of closed circuit	Voltage code	Reference	Weight
	Inrush	Sealed				
V	Ω	Ω	H			kg
For contactors LC1F2600						
110	2.05	41	0.18	F7	LX1FL065 ⁽³⁾	1.150
120	2.05	41	0.18	G7	LX1FL065 ⁽³⁾	1.150
220	6.45	165	0.76	M7	LX1FL110 ⁽³⁾	1.150
230	6.45	165	0.76	P7	LX1FL110 ⁽³⁾	1.150
240	8.1	205	1.05	U7	LX1FL127 ⁽³⁾	1.150
277	10.2	317	1.45	W7	LX1FL140 ⁽³⁾	1.150
380	20.5	605	2.65	Q7	LX1FL200 ⁽³⁾	1.150
400	20.5	605	2.65	V7	LX1FL200 ⁽³⁾	1.150
415	25.5	730	3.35	N7	LX1FL220 ⁽³⁾	1.150
440	25.5	730	3.35	R7	LX1FL220 ⁽³⁾	1.150
500	30.8	901	4.13	S7	LX1FL260 ⁽³⁾	1.150

Coils for specific applications ⁽¹⁾ a.c., 40...400 Hz control voltage

Low sealed consumption.

High tolerance to inrush voltage drops.

Immune to micro-breaks (mains supply or contact chain).

Operate on networks with harmonic numbers ≤ 7 .

Control circuit voltage U _c	Average resistance at 20 °C ± 10 %		Inductance of closed circuit	Voltage code	Reference
	Inrush	Sealed			
V	Ω	Ω	H		
For contactors LC1F265 and LC1F330					
48	2.96	72	⁽²⁾	–	LX9FH0482
110/115	18.7	415	⁽²⁾	–	LX9FH1102
120/127	22.9	156	⁽²⁾	–	LX9FH1272
220/230	71.6	1621	⁽²⁾	–	LX9FH2202
240	88	1968	⁽²⁾	–	LX9FH2402
380/415	222	5075	⁽²⁾	–	LX9FH3802
500	345	7990	⁽²⁾	–	LX9FH5002

Specifications

Average consumption at 20 °C: inrush: 560...660 VA, sealed: 8...10 VA.

Heat dissipation: 8.4...10.4 W.

Operating cycles/hour ($\theta \leq 55$ °C): < 3600.

Operating time at U_c: closing = 45 ms, opening = 25 ms.

⁽¹⁾ Application examples: hoisting (inching, high operating rates), Main-Standby (unstable mains supplies). These coils are particularly suited for use at higher operating temperatures (mounting in non-ventilated compartments, enclosures, etc.).

⁽²⁾ Please consult your Regional Sales Office.



Coils for specific applications a.c., 40...400 Hz control voltage

These coils are particularly suited for use at higher operating temperatures (mounting in non-ventilated compartments, enclosures, etc).
Application examples: hoisting (inching, high operating rates), Main-Standby (unstable mains supplies).

Coils with short operating times (at U_c):

- Closing: 60 ms
- Opening: 50 ms (\sim side); 20 ms ($\overline{\sim}$ side).

Coils with high operating rates ($\theta \leq 70$ °C):

- 3600 operating cycles/hour
- 1800 for LC1F630.

Coils with low inrush consumption.

Control circuit voltage U_c	Average resistance at 20 °C ± 10 %		Inductance of closed circuit	Rectifier Reference ⁽¹⁾	Coil Reference	Weight
	Inrush	Sealed				
V	Ω	Ω	H			kg
For contactor LC1F400						
48	4.03	43	0.22	DR5TF4V	LX9FJ917	0.970
110	25.7	246	1.3	DR5TE4U	LX9FJ925	0.970
127	32.3	302	1.7	DR5TE4U	LX9FJ926	0.970
220/230	99.5	919	5	DR5TE4U	LX9FJ931	0.970
380/415	311	3011	15	DR5TE4S	LX9FJ936	0.970
440	386	3690	19	DR5TE4S	LX9FJ937	0.970
500	478	4380	23	DR5TE4S	LX9FJ938	0.970

Specifications

Average consumption:

- inrush: 500 VA
- sealed: 23 VA.

Heat dissipation: 11.4...13.9 W.

For contactor LC1F500						
48	3.73	30.7	0.18	DR5TF4V	LX9FK917	1.080
110	24	204	1.1	DR5TE4U	LX9FK925	1.080
127	29.8	250	1.4	DR5TE4U	LX9FK926	1.080
220/230	89.9	770	4	DR5TE4U	LX9FK931	1.080
380/415	274	2075	12	DR5TE4S	LX9FK936	1.080
440	361	3060	16	DR5TE4S	LX9FK937	1.080
500	448	3750	19	DR5TE4S	LX9FK938	1.080

Specifications

Average consumption:

- inrush: 550 VA
- sealed: 31 VA.

Heat dissipation: 15...18.3 W.

For contactor LC1F630						
48	2.81	20.8	0.17	DR5TF4V	LX9FL917	1.450
110	13.5	114	0.77	DR5TE4U	LX9FL924	1.450
127	20.8	167	1.2	DR5TE4U	LX9FL926	1.450
220	52	425	2.9	DR5TE4U	LX9FL930	1.450
220/240	64.5	518	3.6	DR5TE4U	LX9FL931	1.450
380/400	163	1360	8.8	DR5TE4S	LX9FL935	1.450
415/440	204	1670	11	DR5TE4S	LX9FL936	1.450
500	312	2510	17	DR5TE4S	LX9FL938	1.450

Specifications

Average consumption:

- inrush: 830 VA
- sealed: 47 VA.

Heat dissipation: 22.8...27.8 W.

⁽¹⁾ Rectifier to be ordered separately: 0.100 kg.

PB112335.eps



LX9FJ...



PB112336.eps



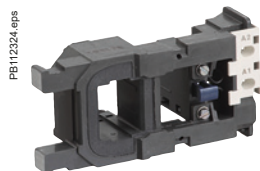
LX9FK...

High power contactors

PB112337.eps



LX9FL...



PB112324.eps

LX4FF●●●

Coils for d.c. control voltage

Low sealed consumption.

Control circuit voltage U _c	Average resistance at 20 °C ±10 %		Inductance of closed circuit	Voltage code	Reference
	Inrush	Sealed			
V	Ω	Ω	H		
For contactors LC1F115 and LC1F150					
24	1.12	177	11	BD	LX4FF024
48	4.52	715	42.7	ED	LX4FF048
110	21.7	2940	179	FD	LX4FF110
125	26.8	3560	223	GD	LX4FF125
220/230	84	11100	704	MD	LX4FF220
250	105	13000	868	UD	LX4FF250
440/460	301	48200	4000	RD	LX4FF440

Specifications

Average consumption:

- inrush: 543...665 W,
- sealed: 3.94...4.83 W.

Operating time at U_c: closing = 30...40 ms, opening = 30...50 ms.

Operating cycles/hour (θ ≤ 55 °C): ≤ 2400.

For contactors LC1F185 and LC1F225					
24	0.79	169	14.9	BD	LX4FG024
48	3.2	662	55.3	ED	LX4FG048
110	14.9	2810	241	FD	LX4FG110
125	19	3320	289	GD	LX4FG125
220/230	57.7	10200	890	MD	LX4FG220
250	76	12400	1140	UD	LX4FG250
440/460	223	39700	4210	RD	LX4FG440

Specifications

Average consumption:

- inrush: 737...902 W,
- sealed: 4.13...5.07 W.

Operating time at U_c: closing = 30...40 ms, opening = 30...50 ms.

Operating cycles/hour (θ ≤ 55 °C): ≤ 2400.

For contactors LC1F265 and LC1F330					
24	0.9	192	26.3	BD	LX4FH024
48	3.49	707	92.9	ED	LX4FH048
110	16.8	3180	424	FD	LX4FH110
125	20.8	3840	530	GD	LX4FH125
220/230	65.7	11500	1590	MD	LX4FH220
250	84	13900	1910	UD	LX4FH250
440/460	255	44000	7570	RD	LX4FH440

Specifications

Average consumption:

- inrush: 655...803 W,
- sealed: 3.68...4.53 W.

Operating time at U_c: closing = 40...50 ms, opening = 40...65 ms.

Operating cycles/hour (θ ≤ 55 °C): ≤ 2400.

For contactor LC1F400					
48	2.5	558	56	ED	LX4FJ048
110	12.7	2660	270	FD	LX4FJ110
125	15.8	3130	330	GD	LX4FJ125
220	47	8820	910	MD	LX4FJ220
250	61	10500	1200	UD	LX4FJ250
440	236	33750	4435	RD	LX4FJ440

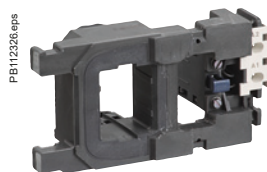
Specifications

Average consumption:

- inrush: 920...1140 W,
- sealed: 4...7.5 W.

Operating time at U_c: closing = 50...60 ms, opening = 45...60 ms.

Operating cycles/hour (θ ≤ 55 °C): ≤ 2400.



PB112326.eps

LX4FH●●●

PB11222_40.eps



LX4FK●●●

LX4FK specifications

Average consumption:

- inrush: 990...1220 W,
- sealed: 4.54...8 W.

Operating cycles/hour ($\theta \leq 55^\circ\text{C}$): 2400.

Operating time at U_c : closing = 50...60 ms, opening = 45...60 ms.

LXE specifications

Average consumption:

- inrush 50/60 Hz: 280...730 VA rms
DC: 270...680 W,
- sealed: 50/60 Hz: 4.5...10 VA rms
DC: 2.5...5.5 W.

Heat Dissipation: 2.5...5.5 W

Operating cycles/hour ($\theta \leq 55^\circ\text{C}$): < 2400.

Operating time at U_c : closing = 40...80 ms, opening = 6...54 ms.

Embedded PLC input according IEC 61131-2 type 2:

- Off state: 0...5 V DC
- On state: 11...30 V DC.

LX4FL specifications

Average consumption:

- inrush: 1420...1920 W,
- sealed: 6.5...12.5 W.

Operating cycles/hour ($\theta \leq 55^\circ\text{C}$): 1200.

Operating time at U_c : closing = 60...70 ms, opening = 40...50 ms.

LX4FX specifications

Average consumption:

- inrush: 1960...2420 W
- sealed: 42...52 W.

Operating cycles/hour ($\theta \leq 55^\circ\text{C}$): 600.

Operating time at U_c : closing = 70...80 ms, opening = 100...130 ms.

LX4F8 specifications

Heat dissipation: 25 W.

Operating time at U_c : closing = 60...80 ms, opening = 40...50 ms.

LX4FK specifications

with LC1F1000, 1400, 1700, 2100

Average consumption:

- inrush: 2000...2200 W,
- sealed: 8...10 W.

Operating cycles/hour ($\theta \leq 55^\circ\text{C}$): 600.

Operating time at U_c : closing = 50...60 ms, opening = 45...60 ms.

LX4FL specifications with LC1F2600

Average consumption:

- inrush: 2130...2880 W
- sealed: 13...25 W.

Operating cycles/hour ($\theta \leq 55^\circ\text{C}$): 600.

Operating time at U_c : closing = 60...70 ms, opening = 40...50 ms.

Coils for d.c. control voltage

Low sealed consumption.

Control circuit voltage U_c	Average resistance at $20^\circ\text{C} \pm 10\%$		Inductance of closed circuit	Voltage code	Reference	Weight
	Inrush	Sealed				
V	Ω	Ω	H			kg
For contactor LC1F500						
48	2.35	515	67	ED	LX4FK048	1.080
110	11.5	2450	280	FD	LX4FK110	1.080
125	15	2930	400	GD	LX4FK125	1.080
220	44	8150	1080	MD	LX4FK220	1.080
250	56	9650	1350	UD	LX4FK250	1.080
440	225	31300	5270	RD	LX4FK440	1.080

For contactors LC1F500 to LC1F1250 ⁽¹⁾

For contactors LC1F115 and LC1F150

100...250 \sim	8.66	–	–	KUE	LXEFF250	1.100
100...380 ---						

For contactors LC1F185 and LC1F225

100...250 \sim	9.06	–	–	KUE	LXEFG250	1.100
100...380 ---						

For contactors LC1F265 and LC1F330

100...250 \sim	7.62	–	–	KUE	LXEFH250	1.100
100...380 ---						

For contactor LC1F400

100...250 \sim	7.8	–	–	KUE	LXEFJ250	1.100
100...380 ---						

For contactors LC1F500 and LC1SF1200

100...250 \sim	8	–	–	KUE	LXEFK250	1.100
100...380 ---						

For contactors LC1F630 and LC1F1250

100...250 \sim	4.78	–	–	KUE	LXEFL250	1.100
100...380 ---						

For contactor LC1F800

100...250 \sim	4.78	–	–	KUE	LXEFW250	1.100
------------------	------	---	---	-----	----------	-------

For contactors LC1F630 and LC1F1250

48	1.7	353	40.5	ED	LX4FL048	1.450
110	8.1	1680	180	FD	LX4FL110	1.450
125	10	2110	230	GD	LX4FL125 ⁽²⁾	1.450
220	31	5160	650	MD	LX4FL220	1.450
250	38	6080	815	UD	LX4FL250	1.450
440	152	23120	2910	RD	LX4FL440 ⁽²⁾	1.450

For contactor LC1F780

110	6.1 ⁽⁴⁾	280 ⁽⁴⁾	0.26	FD	LX4FX110 ⁽³⁾	3.000
125	7.7 ⁽⁴⁾	410 ⁽⁴⁾	0.33	GD	LX4FX125 ⁽³⁾	3.000
220	24.6 ⁽⁴⁾	1100 ⁽⁴⁾	1	MD	LX4FX220 ⁽³⁾	3.000
250	29.8 ⁽⁴⁾	1330 ⁽⁴⁾	1.25	UD	LX4FX250 ⁽³⁾	3.000
440	92 ⁽⁴⁾	4180 ⁽⁴⁾	3.5	RD	LX4FX440 ⁽³⁾	3.000

For contactor LC1F800

110/120	–	–	–	FW	LX4F8FW	1.650
220/240	–	–	–	MW	LX4F8MW	1.650
380/400	–	–	–	QW	LX4F8QW	1.650

For contactors LC1F1000, LC1F1400, LC1F1700 and LC1F2100

110	2.94	734	98	FD	LX4FK055 ⁽⁵⁾	1.080
125	3.73	916	122	GD	LX4FK065 ⁽⁵⁾	1.080
220	11.5	2450	280	MD	LX4FK110 ⁽⁵⁾	1.080
250	15	2930	400	UD	LX4FK125 ⁽⁵⁾	1.080
440	44	8150	1080	RD	LX4FK220 ⁽⁵⁾	1.080

For contactor LC1F2600

110	2.05	481	64	FD	LX4FL055 ⁽⁵⁾	1.080
125	2.53	603	80	GD	LX4FL065 ⁽⁵⁾	1.080
220	11.5	2450	280	MD	LX4FL110 ⁽⁵⁾	1.080
250	15	2930	400	UD	LX4FL125 ⁽⁵⁾	1.080
440	44	8150	1080	RD	LX4FL220 ⁽⁵⁾	1.080

⁽¹⁾ LXE coil to be used along with suitable Electronic Control Module (ECM) Ref. LA4EM●●●●●.

For details, please refer to page B9/14.

⁽²⁾ Incompatible with LC1F1250.

⁽³⁾ Reference of set of 2 identical coils, to be connected in series.

⁽⁴⁾ Value for the 2 coils in series.

⁽⁵⁾ Order 2 coils and connect them in series.

Coils for d.c. control voltage

Coils with short operating times (at U_c):

- Opening: 60 ms
- Closing: 20 ms.

Coils with high operating rates ($\theta \leq 70\text{ °C}$):

- 3600 operating cycles/hour
- 1800 for LC1F630.

Coils with low inrush consumption.

Control circuit voltage U_c	Average resistance at 20 °C $\pm 10\%$		Inductance of closed circuit	Resistor ⁽¹⁾ Qty required	Coil		Weight
	Inrush	Sealed			Reference	Reference	
V	Ω	Ω	H				kg
For contactor LC1F400							
48	5.11	99	0.27	1	DR2SC0047	LX9FJ918	0.970
110	32.3	632	1.7	1	DR2SC0330	LX9FJ926	0.970
125	39.4	760	2	1	DR2SC0390	LX9FJ927	0.970
220	123	2320	6.1	1	DR2SC1200	LX9FJ932	0.970
440/460	478	9080	23	1	DR2SC4700	LX9FJ938	0.970

Specifications

Average consumption:

- inrush: 430 W
- sealed: 22 W.

For contactor LC1F500							
48	4.67	76.7	0.22	1	DR2SC0039	LX9FK918	1.080
110	29.8	470	1.4	1	DR2SC0220	LX9FK926	1.080
125	37.4	637	1.7	1	DR2SC0330	LX9FK927	1.080
220	115	1935	5.1	1	DR2SC1000	LX9FK932	1.080
440/460	448	7050	19	1	DR2SC3300	LX9FK938	1.080

Specifications

Average consumption:

- inrush: 470 W
- sealed: 29 W.

For contactor LC1F630							
48	3.43	52.9	0.20	2	DR2SC0047	LX9FL918	1.450
110	17.2	272	0.98	2	DR2SC0270	LX9FL925	1.450
125	20.8	333	1.2	2	DR2SC0330	LX9FL926	1.450
220	64.5	1018	3.6	2	DR2SC1000	LX9FL931	1.450
440/460	260	4010	14	2	DR2SC3900	LX9FL937	1.450

Specifications

Average consumption:

- inrush: 733 W
- sealed: 48 W.

⁽¹⁾ Resistor to be ordered separately, weight of resistor: 0.030 kg.

PB112305.eps



LX9FJ●●●

PB112306.eps



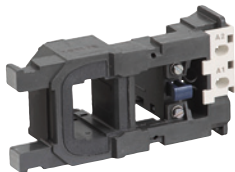
LX9FK●●●

PB112307.eps



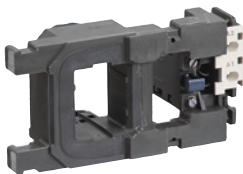
LX9FL●●●

PB112324.eps



LX4FF●●●

PB112326.eps



LX4FH●●●

High power contactors

Coils for wide range d.c. control voltage

Wide range coils: 0.7...1.25 Uc.

Operating cycles/hour: ≤ 60 ⁽¹⁾.

Ambient temperature (operation): -55 to + 70 °C.

Control circuit voltage Uc	Average resistance at 20 °C ±10 %		Inductance of closed circuit	Reference
	Inrush	Sealed		
V	Ω	Ω	H	
For contactors LC1F115 and LC1F150				
24	0.71	120	7.4	LX4FF020
48	2.86	392	27	LX4FF040
72	7.05	1055	66	LX4FF060
110	13.2	1970	121	LX4FF090
125	16.9	2340	149	LX4FF100

Specifications

Average consumption:

- inrush: 415...1300 W
- sealed: 3...9 W.

For contactors LC1F185 and LC1F225				
24	0.52	112	9.3	LX4FG020
48	2	359	34.4	LX4FG040
72	5.07	984	85	LX4FG060
110	9.66	1840	157	LX4FG090
125	12	2230	196	LX4FG100

Specifications

Average consumption:

- inrush: 580...1820 W
- sealed: 3.1...9.5 W.

For contactors LC1F265 and LC1F330				
24	0.58	129	17.3	LX4FH020
48	2.19	400	59.5	LX4FH040
72	5.58	1110	149	LX4FH060
110	11	2120	287	LX4FH090
125	13.8	2520	353	LX4FH100

Specifications

Average consumption:

- inrush: 515...1600 W
- sealed: 2.7...8.5 W.

Opera- tional voltage	Average resistance at 20 °C ±10 %	Induc- tance of closed circuit	Coil		Economy resistor		Reference of the assembly ⁽²⁾
			Reference	No. Ω	Resistors in //	Reference	
V	Ω	H					
For contactor LC1F400							
24	1.05	0.049	LX2FJW11	3	56	DR2SC0056	LX5FJW11
48	4.8	0.22	LX2FJW18	3	220	DR2SC0220	LX5FJW18
72	9.6	0.44	LX2FJW21	3	470	DR2SC0470	LX5FJW21

Specifications

Average consumption:

- inrush: 290...860 W
- sealed: 16...47 W.

(1) The mechanical durability of the contactor is limited to 1 million operating cycles.

(2) The set comprises: 1 coil **LX2FJ** and 3 resistors **DR2SC**.

Auxiliary contact blocks for TeSys LC1FG 3-pole shockproof contactors



LADN●●

Instantaneous auxiliary contact blocks

For use in normal operating environments

Number of contacts	Max. number of blocks per contactor Clip-on mounting	Composition	Reference	
1	1	- - 1 -	LADN10	(1)
		- - - 1	LADN01	(1)
4	1	- - 2 2	LADN22	(1)
		- - 4 -	LADN40	(1)
		- - - 4	LADN04	(1)
		- - 3 1	LADN31	(1)

Time delay auxiliary contact blocks

Number of contacts	Max. number of blocks per contactor Clip-on mounting	Time delay		Reference	
		Type	Range		
1 N/O +	1	On-delay	0...3 (2)	LADT0	
			1...30	LADT2	(1)
			10...180	LADT4	
			1...30 (3)	LADS2	
1 N/C		Off-delay	0...3 (2)	LADR0	
			1...30	LADR2	(1)
			10...180	LADR4	

(1) Device approved by the DCN (French naval shipyard department) and authorised for on-board use.

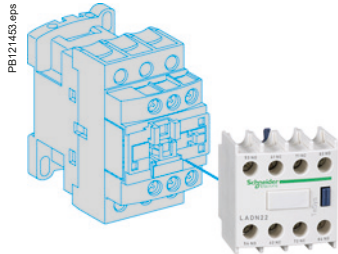
(2) With extended scale from 0.1 to 0.6 s.

(3) With switching time of 40 ms ± 15 ms between opening of the N/C contact and closing of the N/O contact.



LADT●





LADN



LA9F103



LA9F70



EZ2LB0601

High power contactors

Accessories for contactors CR1F

Description	Number of contacts or shrouds	For use on	Reference
Instantaneous auxiliary contacts	(1)	CR1F	LADN●●, LADX●●, LADY●●, LADZ●● (1)
Time delay auxiliary contacts	(1)	CR1F	LADT●, LADS●, LADR● (1)
Contact blocks with protected terminals for 3-pole contactors (for mounting on contactors with closed arc chamber)	Set of 2 blocks	CR1F150 and CR1F185	LA9F103
Power terminal protection shrouds	Set of 6 shrouds for 3-pole contactors	CR1F150 and CR1F185	LA9F702
		CR1F265 to CR1F500 CR1F630	LA9F703 LA9F704
	Set of 8 shrouds for 4-pole contactors	CR1F1504 and CR1F1854	LA9F707
		CR1F2654 to CR1F5004 CR1F6304	LA9F708 LA9F709

Description	Application	Reference
Mechanical interlock and power connections	For assembly of reversing contactors and changeover contactor pairs	See pages B9/29 and B9/30

Accessories for contactors CR1B

Description	Application	Reference	Weight kg
Mechanical interlock with mounting accessories (2)	For vertical assembly of reversing contactors and changeover contactor pairs	EZ2LB0601	1.560
Kit containing 2 bar mounting brackets	For mounting on 120 or 150 mm centres	LA9B103	1.620

(1) For maximum number per contactor and complete reference, see page B9/11.

(2) Positive mechanical interlocking between 2 vertically mounted contactors of identical or different ratings. Connecting rods and cranks assembled on right-hand sides, crank pins on the pole side.

Vertical fixing centre distance between the two contactors: 600 mm.



Control Panel Technical Guide:

Description and product reference of all mounting kits and wiring accessories for TeSys D, K, F - Star Delta, reverser, low-high speed control motor starters and changeover applications.

> Ref. Document: CPTG011_EN



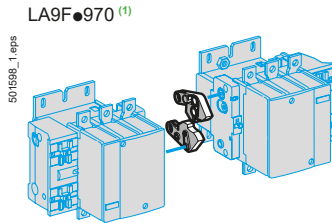
> Click on QR code to download

Reversing and changeover assemblies with CR1F magnetic latching contactors

Horizontally mounted

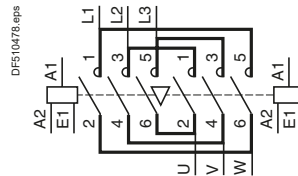
Mechanical interlocks

Reversers assembled using 2 contactors of identical rating, type:
CR1F150
CR1F185
CR1F265
CR1F400
CR1F500
CR1F630

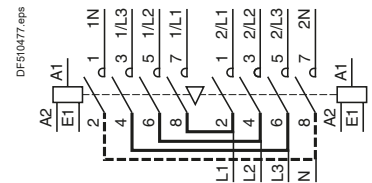


Sets of power connections

Reversing contactors
 LA9F●976 (1)



3 or 4-pole changeover contactor pairs
 LA9F●977 (1) or LA9F●982 (1)

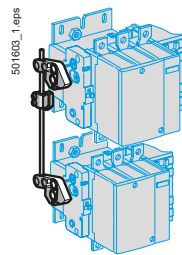


Vertically mounted

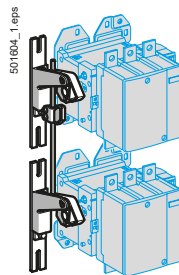
Mechanical interlocks

Reversers assembled using 2 contactors of identical rating, type:
CR1F150
CR1F185
CR1F265
CR1F400
CR1F500
CR1F630

LA9FF4F Assembly A
 LA9FG4G

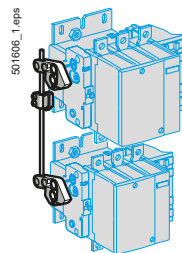


LA9FH4H Assembly C
 LA9FJ4J
 LA9FK4K
 LA9FL4L

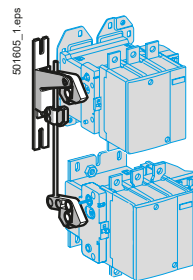


Reversers assembled using 2 contactors of different ratings, type:
CR1F150
CR1F185
CR1F265
CR1F400
CR1F500
CR1F630

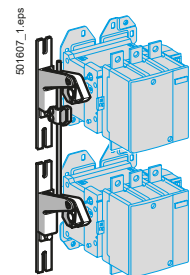
LA9FG4F Assembly A



LA9FH4F Assembly B
 LA9FJ4F
 LA9FK4F
 LA9FL4F
 LA9FH4G
 LA9FJ4G
 LA9FK4G
 LA9FL4G

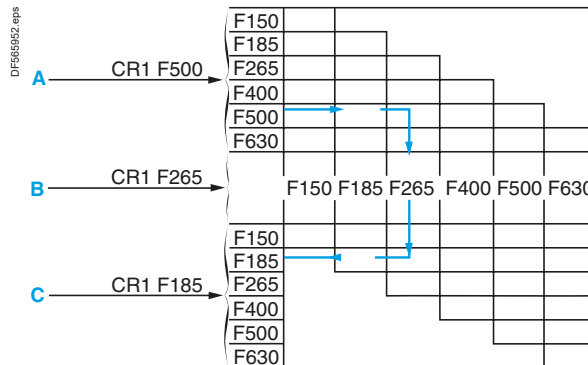
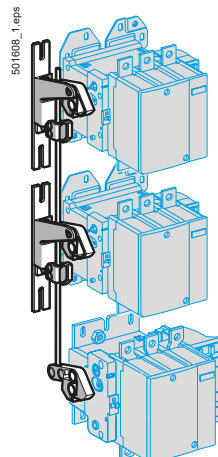


LA9FJ4H Assembly C
 LA9FK4H
 LA9FL4H
 LA9FK4J
 LA9FL4J
 LA9FK4K



Reversers assembled using 3 contactors of identical or different ratings

LA9F●4●4● (2)



Warning: the contactor ratings must be in decreasing size from top to bottom.

High power contactors

(1) Complete references: see page B9/35.

(2) Complete references: see pages B9/38 and B9/39.

Reversing and changeover assemblies with CR1F magnetic latching contactors.

Reversers assembled using 2 contactors of identical rating

Contactor type	Set of power connections			Mechanical interlock	
	3-pole Reference	4-pole Reference	Weight kg	Kit reference	Weight kg

For assembly of 3-pole reversing contactors for motor control ⁽¹⁾

Horizontally mounted

CR1F150	LA9FF976	–	0.600	LA9FF970	0.060
CR1F185	LA9FG976	–	0.780	LA9FG970	0.060
CR1F265	LA9FH976	–	1.500	LA9FJ970	0.140
CR1F400	LA9FJ976	–	2.100	LA9FJ970	0.140
CR1F500	LA9FK976	–	2.350	LA9FJ970	0.140
CR1F630	LA9FL976	–	3.800	LA9FL970	0.150

Vertically mounted

CR1F150	⁽²⁾	–	–	LA9FF4F	0.345
CR1F185	⁽²⁾	–	–	LA9FG4G	0.350
CR1F265	⁽²⁾	–	–	LA9FH4H	1.060
CR1F400	⁽²⁾	–	–	LA9FJ4J	1.200
CR1F500	⁽²⁾	–	–	LA9FK4K	1.200
CR1F630	⁽²⁾	–	–	LA9FL4L	1.220

For assembly of 4-pole changeover contactor pairs

Horizontally mounted

CR1F1504	LA9FF982	LA9FF977	0.460	LA9FF970	0.060
CR1F1854	LA9FG982	LA9FG977	0.610	LA9FG970	0.060
CR1F2654	LA9FH982	LA9FH977	1.200	LA9FJ970	0.140
CR1F4004	LA9FJ982	LA9FJ977	1.800	LA9FJ970	0.140
CR1F5004	LA9FK982	LA9FK977	2.300	LA9FJ970	0.140
CR1F6304	LA9FL982	LA9FL977	3.400	LA9FL970	0.150

Vertically mounted

CR1F1504	⁽²⁾	–	–	LA9FF4F	0.345
CR1F1854	⁽²⁾	–	–	LA9FG4G	0.350
CR1F2654	⁽²⁾	–	–	LA9FH4H	1.060
CR1F4004	⁽²⁾	–	–	LA9FJ4J	1.200
CR1F5004	⁽²⁾	–	–	LA9FK4K	1.200
CR1F6304	⁽²⁾	–	–	LA9FL4L	1.220

Reversers assembled using 2 contactors of different ratings

Contactor type			Mechanical interlock	
	At bottom	At top	Kit reference	Weight kg

For assembly of 3 or 4-pole changeover contactor pairs

Vertically mounted ⁽³⁾

CR1F150 or F1504	CR1F185 or F1854	LA9FG4F	0.350
	CR1F265 or F2654	LA9FH4F	0.870
	CR1F400 or F4004	LA9FJ4F	0.930
	CR1F500 or F5004	LA9FK4F	0.940
	CR1F630 or F6304	LA9FL4F	0.940
CR1F185 or F1854	CR1F265 or F2654	LA9FH4G	0.860
	CR1F400 or F4004	LA9FJ4G	0.940
	CR1F500 or F5004	LA9FK4G	0.940
	CR1F630 or F6304	LA9FL4G	0.950
CR1F265 or F2654	CR1F400 or F4004	LA9FJ4H	1.130
	CR1F500 or F5004	LA9FK4H	1.130
	CR1F630 or F6304	LA9FL4H	1.140
CR1F400 or F4004	CR1F500 or F5004	LA9FK4J	1.200
	CR1F630 or F6304	LA9FL4J	1.210
CR1F500 or F5004	CR1F630 or F6304	LA9FL4K	1.210

For assembly of 3 or 4-pole reversing contactors ⁽⁴⁾

Using 3 contactors (vertically mounted) of identical or different ratings	Mechanical interlock Kit reference ⁽⁵⁾
---------------------------------------------------------------------------	---------------------------------------------------

The contactor ratings must be in decreasing size from top to bottom.

Kit reference	LA9F●4●4●
Contactors	CR1F150 CR1F185 CR1F265 CR1F400 CR1F500 CR1F630
Code	F G H J K L

Example: mechanical interlock for reversing contactor made up of 3 different contactors: CR1F500 top, CR1F265 middle and CR1F185 bottom: **LA9FK4H4G**.

- (1) A 3-pole reversing contactor for motor control can be converted into a 3-pole changeover contactor pair by removing the upper connecting links.
- (2) All power connections are to be made by the customer.
- (3) With identical or different number of poles. Power connections to be made by the customer.
- (4) Closing of one of the 3 contactors prevents closing of the other 2 contactors.
- (5) Complete the reference by replacing the first dot with the code for the upper contactor, the second dot with the code for the middle contactor and the third dot with the code for the bottom contactor.



TeSys

TeSys F Magnetic latching High power contactors - Spare parts

Product references

PB12114.eps



LA5FG431

PB11605.eps



LA5F11550

References

Description	For contactor	Reference	Reference	Weight kg
Complete sets of contacts for 3 or 4 poles ⁽¹⁾	3-pole	CR1F150	LA5FF431	0.270
		CR1F185	LA5FG431	0.350
		CR1F265	LA5FH431	0.660
		CR1F400	LA5F400803	0.660
		CR1F500	LA5F500803	0.660
		CR1F630	LA5F630803	0.660
	4-pole	CR1F1504	LA5FF441	0.360
		CR1F1854	LA5FG441	0.465
		CR1F2654	LA5FH441	0.880
		CR1F4004	LA5F400804	0.465
		CR1F5004	LA5F500804	0.465
		CR1F6304	LA5F630804	0.465
Arc chambers	3-pole	CR1F150	LA5F15050	0.490
		CR1F185	LA5F18550	0.670
		CR1F265	LA5F26550	0.920
		CR1F400	LA5F40050	1.300
		CR1F500	LA5F50050	1.850
		CR1F630	LA5F63050	3.150
	4-pole	CR1F1504	LA5F150450	0.660
		CR1F1854	LA5F185450	0.910
		CR1F2654	LA5F265450	1.220
		CR1F4004	LA5F400450	1.740
		CR1F5004	LA5F500450	2.500
		CR1F6304	LA5F630450	4.200

⁽¹⁾ Set containing the following (per pole): 2 fixed contacts, 1 moving contact, 2 deflectors, 1 back-plate, clamping screws and washers.

High power contactors

PE121413.eps



LX0FG007

PE121412.eps



LX0FK006

High power contactors

Standard coils for a.c. or d.c. control voltage

Usual voltages		Resistance of winding at $\theta = 20\text{ }^{\circ}\text{C}$		Reference	Voltage code	Weight kg
50...400 Hz or ---	50 Hz, 60 Hz	Latching	Unlatching			
V	V	Ω	Ω			
For contactors CR1F150						
48	–	1.98	230.8	LX0FF005	E7	0.440
110	–	9.35	1453	LX0FF006	F7	0.440
127	–	11.61	1788	LX0FF007	G7	0.440
208	–	23.50	4098	LX0FF020	L7	0.440
220/230	–	37.55	5139	LX0FF008	M7	0.440
–	240	45.16	6544	LX0FF009	U7	0.440
–	380/400	114.10	12 447	LX0FF010	Q7	0.440
–	415	139.50	16 717	LX0FF011	N7	0.440
For contactors CR1F185						
48	–	1.42	220	LX0FG005	E7	0.560
110	–	6.92	1339	LX0FG006	F7	0.560
127	–	8.45	1676	LX0FG007	G7	0.560
208	–	21.30	3169	LX0FG020	L7	0.560
220/230	–	26.27	4729	LX0FG008	M7	0.560
–	240	32.95	4729	LX0FG009	U7	0.560
–	380/400	82.29	11 885	LX0FG010	Q7	0.560
–	415	102.30	14 305	LX0FG011	N7	0.560
For contactors CR1F265						
48	–	1.34	183.4	LX0FH005	E7	0.780
110	–	6.90	1031	LX0FH006	F7	0.780
127	–	8.56	1325	LX0FH007	G7	0.780
208	–	20.20	2654	LX0FH020	L7	0.780
220/230	–	25.77	4090	LX0FH008	M7	0.780
–	240	33.03	5002	LX0FH009	U7	0.780
–	380/400	78.39	11 803	LX0FH010	Q7	0.780
–	415	102.9	15 006	LX0FH011	N7	0.780
For contactors CR1F400						
48	–	1.32	90.5	LX0FJ005	E7	1.120
110	–	8.09	813	LX0FJ006	F7	1.120
127	–	9.79	1027	LX0FJ007	G7	1.120
208	–	24.40	2643	LX0FJ020	L7	1.120
220/230	–	30.14	3309	LX0FJ008	M7	1.120
–	240	37.02	4074	LX0FJ009	U7	1.120
–	380/400	94.80	9380	LX0FJ010	Q7	1.120
–	415	121.10	11 763	LX0FJ011	N7	1.120
For contactors CR1F500						
48	–	1.57	166	LX0FK005	E7	1.220
110	–	7.53	916	LX0FK006	F7	1.220
127	–	9.56	1159	LX0FK007	G7	1.220
208	–	23.60	2981	LX0FK020	L7	1.220
220/230	–	28.81	3733	LX0FK008	M7	1.220
–	240	35.67	4595	LX0FK009	U7	1.220
–	380/400	89.56	10 570	LX0FK010	Q7	1.220
–	415	112.06	13 256	LX0FK011	N7	1.220
For contactors CR1F630						
48	–	0.87	204	LX0FL005	E7	1.460
110	–	5.20	1423	LX0FL006	F7	1.460
127	–	6.45	1830	LX0FL007	G7	1.460
208	–	20.20	2961	LX0FL020	L7	1.460
220/230	–	25.36	4603	LX0FL008	M7	1.460
–	240	25.36	5658	LX0FL009	U7	1.460
–	380/400	60.95	10 676	LX0FL010	Q7	1.460
–	415	77.97	13 003	LX0FL011	N7	1.460

PB12/143.eps



LX0FG●●●

Special coils for a.c. or d.c. control voltage

Coils with two windings with common point, allowing the use of two separate power sources for latching and unlatching.

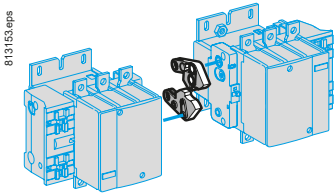
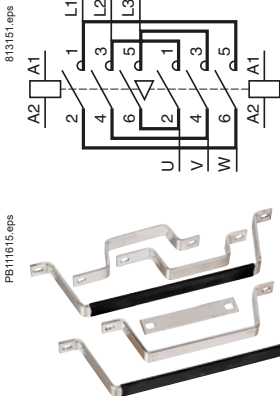
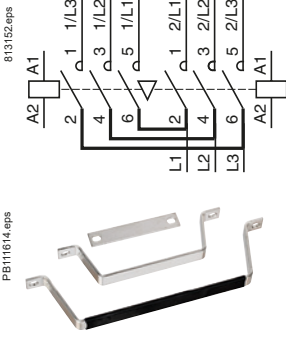
Coil voltages at 50 Hz, 60 Hz, 400 Hz or ---		Resistance of winding at $\theta = 20\text{ }^{\circ}\text{C}$		Reference	Voltage code	Weight
Latching	Unlatching	Latching	Unlatching			
V	V	Ω	Ω			kg
For contactors CR1F150						
220	24	29.5	39.5	LX0FF224	MB7	0.440
For contactors CR1F185						
220	24	26.5	19	LX0FG224	MB7	0.560
For contactors CR1F265						
220	24	26	29.5	LX0FH224	MB7	0.780
For contactors CR1F400						
220	24	30	23	LX0FJ224	MB7	1.120
For contactors CR1F500						
220	24	29	26	LX0FK224	MB7	1.220
For contactors CR1F630						
220	24	26	41	LX0FL224	MB7	1.460

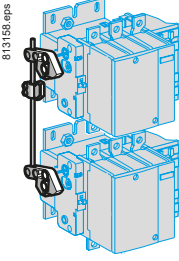
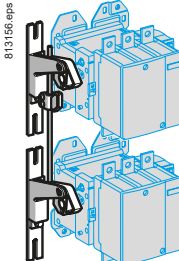
Coils with low inrush consumption for d.c. control voltage

Usual voltages ---	Resistance of winding at $\theta = 20\text{ }^{\circ}\text{C}$		Reference	Voltage code	Weight
	Latching	Unlatching			
V	Ω	Ω			kg
For contactors CR1F150					
48	4.56	140.56	LX0FF055	EZ7	0.440
110	22.37	706.44	LX0FF056	FZ7	0.440
127	35.54	1086.36	LX0FF057	GZ7	0.440
220	89.85	3342.51	LX0FF058	MZ7	0.440
For contactors CR1F185					
48	5.19	106.54	LX0FG055	EZ7	0.570
110	25.50	536.26	LX0FG056	FZ7	0.570
127	32.75	732.64	LX0FG057	GZ7	0.570
220	102.44	2378.62	LX0FG058	MZ7	0.570
For contactors CR1F265					
48	5.19	74.26	LX0FH055	EZ7	0.800
110	25	364.61	LX0FH056	FZ7	0.800
127	30.98	458.45	LX0FH057	GZ7	0.800
220	97.89	1344.46	LX0FH058	MZ7	0.800
For contactors CR1F400					
48	5.05	36.36	LX0FJ055	EZ7	1.150
110	25.39	171.49	LX0FJ056	FZ7	1.150
127	31.86	221.20	LX0FJ057	GZ7	1.150
220	98.19	648.79	LX0FJ058	MZ7	1.150
For contactors CR1F500					
48	4.42	41	LX0FK055	EZ7	1.270
110	22.74	193.36	LX0FK056	FZ7	1.270
127	28.25	313.60	LX0FK057	GZ7	1.270
220	85.12	918.68	LX0FK058	MZ7	1.270
For contactors CR1F630					
48	3.94	59.17	LX0FL055	EZ7	1.500
110	19.36	365.33	LX0FL056	FZ7	1.500
127	25.39	452.27	LX0FL057	GZ7	1.500
220	74.44	1071.43	LX0FL058	MZ7	1.500

High power contactors

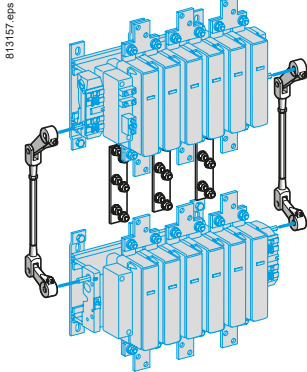
Components for reversing and changeover assemblies of LC1F contactors - 3-pole

Horizontally mounted	Mechanical interlocks	Sets of power connections	
<p>Reversers assembled using 2 contactors of identical rating, type :</p> <p>LC1F115 LC1F150 LC1F185 LC1F225 LC1F265 LC1F330 LC1F400 LC1F500 LC1F630 LC1F800</p>	<p>LA9F●970 ⁽²⁾</p> 	<p>Reversing contactors</p> <p>LA9F●●76 ⁽²⁾</p> 	<p>3-pole changeover contactor pairs ⁽¹⁾</p> <p>LA9F●●82 ⁽²⁾</p> 

Vertically mounted	Mechanical interlocks	
<p>Reversers assembled using 2 contactors of identical rating, type :</p> <p>LC1F115 LC1F150 LC1F185 LC1F225 LC1F265 LC1F330 LC1F400 LC1F500 LC1F630 LC1F800</p> <p>Reversers assembled using 2 contactors of different ratings, see page B9/36</p>	<p>LA9FF4F LA9FG4G</p> 	<p>LA9FH4H LA9FJ4J LA9FK4K LA9FL4L</p> 

LC1F780

LA9FX970



(1) For 4-pole changeover contactor pairs, see pages B9/36 and B9/37.
 (2) Complete references: see page B9/35.



Control Panel Technical Guide:

Description and product reference of all mounting kits and wiring accessories for TeSys D, K, F - Star Delta, reverser, low-high speed control motor starters and changeover applications.

> Ref. Document: CPTG011_EN



> Click on QR code to download

Components for reversing and changeover assemblies of LC1F contactors - 3-pole

Reversers assembled using 2 contactors of identical rating				
Contactor type ⁽¹⁾	Set of power connections		Mechanical interlock	
	Reference	Weight kg	Kit reference	Weight kg
For assembly of 3-pole reversing contactors for motor control				
Horizontally mounted				
LC1F115	LA9FF976	0.600	LA9FF970	0.060
LC1F150	LA9F15076	0.600	LA9FF970	0.060
LC1F185	LA9FG976	0.780	LA9FG970	0.060
LC1F225	LA9F22576	1.500	LA9FG970	0.060
LC1F265	LA9FH976	1.500	LA9FJ970	0.140
LC1F330	LA9FJ976	2.100	LA9FJ970	0.140
LC1F400	LA9FJ976	2.100	LA9FJ970	0.140
LC1F500	LA9FK976	2.350	LA9FJ970	0.140
LC1F630 or F800	LA9FL976	3.800	LA9FL970	0.150
Vertically mounted				
LC1F115 or F150	⁽²⁾	–	LA9FF4F	0.345
LC1F185	⁽²⁾	–	LA9FG4G	0.350
LC1F225	⁽²⁾	–	LA9FG4G	0.350
LC1F265 or F330	⁽²⁾	–	LA9FH4H	1.060
LC1F400	⁽²⁾	–	LA9FJ4J	1.200
LC1F500	⁽²⁾	–	LA9FK4K	1.200
LC1F630 or F800	⁽²⁾	–	LA9FL4L	1.220
LC1F780	⁽³⁾	–	LA9FX970 ⁽³⁾	6.100
For assembly of 3-pole changeover contactor pairs ⁽⁴⁾				
Horizontally mounted				
LC1F115	LA9FF982	0.460	LA9FF970	0.060
LC1F150	LA9F15082	0.460	LA9FF970	0.060
LC1F185	LA9FG982	0.610	LA9FG970	0.060
LC1F225	LA9F22582	1.200	LA9FG970	0.060
LC1F265	LA9FH982	1.200	LA9FJ970	0.140
LC1F330	LA9FJ982	1.800	LA9FJ970	0.140
LC1F400	LA9FJ982	1.800	LA9FJ970	0.140
LC1F500	LA9FK982	2.300	LA9FJ970	0.140
LC1F630 or F800	LA9FL982	3.400	LA9FL970	0.150
Vertically mounted				
LC1F115 or F150	⁽²⁾	–	LA9FF4F	0.345
LC1F185	⁽²⁾	–	LA9FG4G	0.350
LC1F225	⁽²⁾	–	LA9FG4G	0.350
LC1F265 or F330	⁽²⁾	–	LA9FH4H	1.060
LC1F400	⁽²⁾	–	LA9FJ4J	1.200
LC1F500	⁽²⁾	–	LA9FK4K	1.200
LC1F630 or F800	⁽²⁾	–	LA9FL4L	1.220
LC1F780	⁽³⁾	–	LA9FX970 ⁽³⁾	7.800

⁽¹⁾ To order the 2 contactors: see pages B9/2 and B9/3. For the 2 auxiliary contact blocks **LADN•1** required to obtain electrical interlocking between the 2 contactors, see page B9/11. For accessories, see pages B9/12 to B9/14.

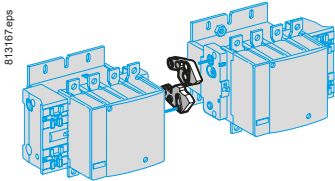
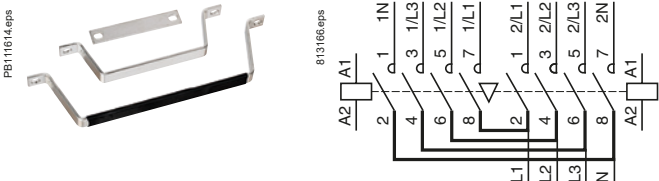
⁽²⁾ All power connections are to be made by the customer.

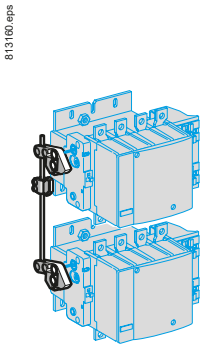
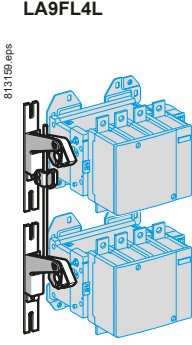
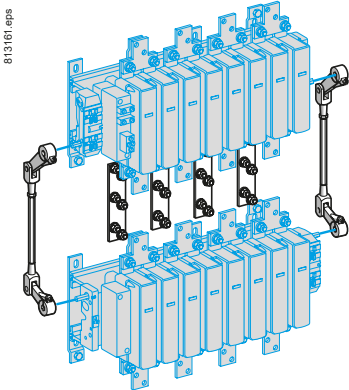
⁽³⁾ Double mechanical interlock mechanism with 2 interlock connecting rods and 3 power connecting links.

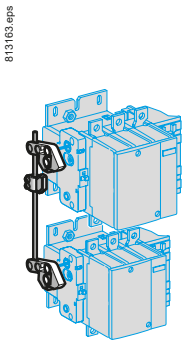
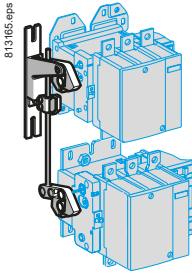
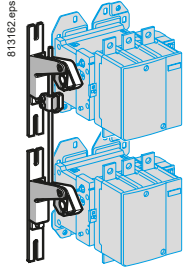
⁽⁴⁾ For assembly of 4-pole changeover contactor pairs, see pages B9/36 and B9/37.



Components for reversing and changeover assemblies of LC1F contactors - 3-pole, 4-pole

Horizontally mounted	Mechanical interlocks	Sets of power connections
<p>Contactor pairs assembled using 2 contactors of identical rating, type :</p> <ul style="list-style-type: none"> LC1F1154 LC1F1504 LC1F1854 LC1F2254 LC1F2654 LC1F3304 LC1F4004 LC1F5004 LC1F6304 	<p>LA9F●970 (2)</p> 	<p>4-pole changeover contactor pairs (1)</p> <p>LA9F●●●77 (2)</p> 

Vertically mounted	Mechanical interlocks	Assembly B	Assembly C
<p>Contactor pairs assembled using 2 contactors of identical rating, type :</p> <ul style="list-style-type: none"> LC1F1154 LC1F1504 LC1F1854 LC1F2254 LC1F2654 LC1F3304 LC1F4004 LC1F5004 LC1F6304 	<p>Assembly A</p> <p>LA9FF4F LA9FG4G</p> 	<p>Assembly B</p> <p>LA9FH4H LA9FJ4J LA9FK4K LA9FL4L</p> 	<p>Assembly C</p> <p>LA9FX971</p> 

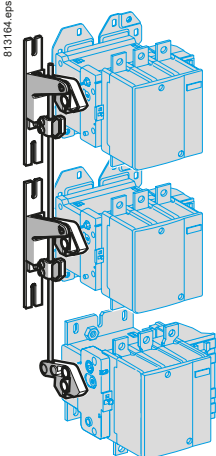
<p>Contactor pairs assembled using 2 contactors of different ratings, type :</p> <ul style="list-style-type: none"> LC1F115 or F1154 LC1F150 or F1504 LC1F185 or F1854 LC1F225 or F2254 LC1F265 or F2654 LC1F330 or F3304 LC1F400 or F4004 LC1F500 or F5004 LC1F630 or F6304 LC1F800 	<p>Assembly A</p> <p>LA9FG4F</p> 	<p>Assembly B</p> <p>LA9FH4F, LA9FH4G LA9FJ4F, LA9FJ4G LA9FK4F, LA9FK4G LA9FL4F, LA9FL4G</p> 	<p>Assembly C</p> <p>LA9FJ4H LA9FK4H, LA9FK4J LA9FL4H, LA9FL4J and LA9FL4K</p> 
--------------------------------------------------------------------------------------------------------------------------------------------------------------------------------------------------------------------------------------------------------------------------------------------------------------------------------------------------------------------------------------	------------------------------------------------------------------------------------------------------------------------------------	---------------------------------------------------------------------------------------------------------------------------------------------------------------------------------------------------------------------------------	----------------------------------------------------------------------------------------------------------------------------------------------------------------------------------------------------------

High power contactors

Contactor pairs assembled using 3 contactors of identical or different ratings, type :

- LC1F115 or F1154
- LC1F150 or F1504
- LC1F185 or F1854
- LC1F225 or F2254
- LC1F265 or F2654
- LC1F330 or F3304
- LC1F400 or F4004
- LC1F500 or F5004
- LC1F630 or F6304
- LC1F800

LA9F●4●4● : see pages B9/38 and B9/39.




Control Panel Technical Guide:

Description and product reference of all mounting kits and wiring accessories for TeSys D, K, F - Star Delta, reverser, low-high speed control motor starters and changeover applications.

> Ref. Document: [CPTG011_EN](#)



> Click on QR code to download

Important: the contactor ratings must be in decreasing size from top to bottom.

(1) For 3-pole changeover contactor pairs, see pages B9/34 and B9/35.
(2) Complete references: see page B9/37.

Components for reversing and changeover assemblies of LC1F contactors
3-pole, 4-pole.

Contactor pairs assembled using 2 contactors of identical rating

For assembly of 4-pole changeover contactor pairs ⁽¹⁾

Contactor type ⁽²⁾	Set of power connections		Mechanical interlock	
	Reference	Weight kg	Kit reference	Weight kg
Horizontally mounted				
LC1F1154	LA9FF977	0.460	LA9FF970	0.060
LC1F1504	LA9F15077	0.460	LA9FF970	0.060
LC1F1854	LA9FG977	0.610	LA9FG970	0.060
LC1F2254	LA9F22577	1.200	LA9FG970	0.060
LC1F2654	LA9FH977	1.200	LA9FJ970	0.140
LC1F3304	LA9FJ977	1.800	LA9FJ970	0.140
LC1F4004	LA9FJ977	1.800	LA9FJ970	0.140
LC1F5004	LA9FK977	2.300	LA9FJ970	0.140
LC1F6304	LA9FL977	3.400	LA9FL970	0.150
Vertically mounted				
LC1F1154 or F1504	⁽³⁾	–	LA9FF4F	0.345
LC1F1854	⁽³⁾	–	LA9FG4G	0.350
LC1F2254	⁽³⁾	–	LA9FG4G	0.350
LC1F2654 or F3304	⁽³⁾	–	LA9FH4H	1.060
LC1F4004	⁽³⁾	–	LA9FJ4J	1.200
LC1F5004	⁽³⁾	–	LA9FK4K	1.200
LC1F6304	⁽³⁾	–	LA9FL4L	1.220
LC1F7804	⁽⁴⁾	–	LA9FX971 ⁽⁴⁾	7.800

Contactor pairs assembled using 2 contactors of different ratings

For assembly of 3 or 4-pole changeover contactor pairs

Contactor type ⁽¹⁾	Set of power connections		Mechanical interlock	
	At bottom	At top	Kit reference	Weight kg
Vertically mounted				
LC1F115 or F1154 or LC1F150 or F1504	LC1F185 or F1854		LA9FG4F	0.350
	LC1F225 or F2254		LA9FG4F	0.350
LC1F265 or F2654 or LC1F330 or F3304 or LC1F400 or F4004 or LC1F500 or F5004 or LC1F630, F6304 or F800	LC1F265 or F2654		LA9FH4F	0.870
	LC1F330 or F3304		LA9FH4F	0.870
	LC1F400 or F4004		LA9FJ4F	0.930
	LC1F500 or F5004		LA9FK4F	0.940
	LC1F630, F6304 or F800		LA9FL4F	0.940
LC1F185 or F1854 or LC1F225 or F2254	LC1F265 or F2654		LA9FH4G	0.860
	LC1F330 or F3304		LA9FH4G	0.860
	LC1F400 or F4004		LA9FJ4G	0.940
	LC1F500 or F5004		LA9FK4G	0.940
LC1F265 or F2654 or LC1F330 or F3304	LC1F630, F6304 or F800		LA9FL4G	0.950
	LC1F400 or F4004		LA9FJ4H	1.130
LC1F400 or F4004	LC1F500 or F5004		LA9FK4H	1.130
	LC1F630, F6304 or F800		LA9FL4H	1.140
LC1F500 or F5004	LC1F500 or F5004		LA9FK4J	1.200
	LC1F630 or F6304 or F800		LA9FL4J	1.210
LC1F630 or F6304 or F800		LA9FL4K	1.210	

For assembly of reversers using 3 contactors, vertically mounted

See pages B9/38 and B9/39.

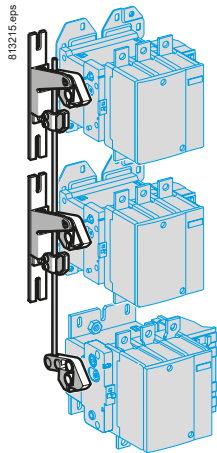
⁽¹⁾ For assembly of 3-pole changeover contactor pairs, see pages B9/34 and B9/35.

⁽²⁾ To order the 2 contactors: see pages B9/2 and B9/3. For the 2 auxiliary contact blocks LADN●1 required to obtain electrical interlocking between the 2 contactors, see page B9/11. For accessories, see pages B9/12 to B9/14.

⁽³⁾ All power connections are to be made by the customer.

⁽⁴⁾ Double mechanical interlock mechanism with 2 interlock connecting rods and 4 power connecting links.





Example of assembly using LA9FH4H4G kit (2 right-angled mounting brackets included)



LA9FF4●4● to LA9FG4●4●

Components for reversing and changeover assemblies of 3 LC1F contactors - 3-pole, 4-pole.
Closing of one of the 3 contactors prevents closing of the other 2.

Mechanical interlock kits

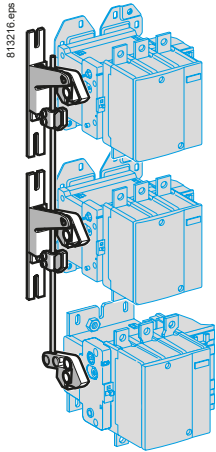
Vertically mounted

Contactor type ⁽¹⁾			Mechanical interlock ⁽²⁾	
Top	Middle	Bottom	Kit reference ⁽³⁾	Weight kg
LC1F115, F150, F1154 or F1504	LC1F115, F150, F1154 or F1504	LC1F115, F150, F1154 or F1504	LA9FF4F4F	0.554
LC1F185, F225, F1854 or F2254	LC1F115, F150, F1154 or F1504	LC1F115, F150, F1154 or F1504	LA9FG4F4F	0.559
		LC1F115, F150, F1154 or F1504	LA9FG4G4F	0.559
LC1F265, F330, F2654 or F3304	LC1F115, F150, F1154 or F1504	LC1F115, F150, F1154 or F1504	LA9FG4G4G	0.562
		LC1F185, F225, F1854 or F2254	LA9FH4F4F	1.350
		LC1F115, F150, F1154 or F1504	LA9FH4G4F	1.375
		LC1F185, F225, F1854 or F2254	LA9FH4G4G	1.375
		LC1F265, F330, F2654 or F3304	LA9FH4H4F	1.524
		LC1F115, F150, F1154 or F1504	LA9FH4H4G	1.527
		LC1F185, F225, F1854 or F2254	LA9FH4H4H	1.684
		LC1F265, F330, F2654 or F3304	LA9FJ4F4F	1.421
		LC1F115, F150, F1154 or F1504	LA9FJ4G4F	1.424
		LC1F185, F225, F1854 or F2254	LA9FJ4G4G	1.428
LC1F265, F330, F2654 or F3304	LC1F115, F150, F1154 or F1504	LC1F115, F150, F1154 or F1504	LA9FJ4H4F	1.595
		LC1F185, F225, F1854 or F2254	LA9FJ4H4G	1.598
		LC1F265, F330, F2654 or F3304	LA9FJ4H4H	1.755
		LC1F115, F150, F1154 or F1504	LA9FJ4J4F	1.666
		LC1F185, F225, F1854 or F2254	LA9FJ4J4G	1.669
		LC1F265, F330, F2654 or F3304	LA9FJ4J4H	1.829
		LC1-F400, F4002 or F4004	LA9FJ4J4J	1.890
		LC1F115, F150, F1154 or F1504	LA9FK4F4F	1.421
		LC1F115, F150, F1154 or F1504	LA9FK4G4F	1.424
		LC1F185, F225, F1854 or F2254	LA9FK4G4G	1.428
LC1F265, F330, F2654 or F3304	LC1F115, F150, F1154 or F1504	LC1F115, F150, F1154 or F1504	LA9FK4H4F	1.595
		LC1F185, F225, F1854 or F2254	LA9FK4H4G	1.598
		LC1F265, F330, F2654 or F3304	LA9FK4H4H	1.755
		LC1F115, F150, F1154 or F1504	LA9FK4J4F	1.666
		LC1F185, F225, F2654 or F3304	LA9FK4J4G	1.669
		LC1F265, F330, F2654 or F3304	LA9FK4J4H	1.829
		LC1F400, F4002 or F4004	LA9FK4J4J	1.896
		LC1F115, F150, F1154 or F1504	LA9FK4K4F	1.666

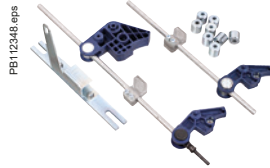
⁽¹⁾ To order the 3 contactors, see pages B9/2 and B9/3. For auxiliary contact blocks LADN02 used for electrical locking, see page B9/11. For accessories, see pages B9/12 to B9/14.

⁽²⁾ Minimum distances between contactors, see page B9/39.

⁽³⁾ The kit contains the lever arms, the 2 x Ø8 mm rods and all parts required for assembly. 1 right-angled mounting bracket included per driven contactor LC1F265 to 5004.



Example of assembly using LA9FL4J4J kit (2 right-angled mounting brackets included)



LA9FL4G4F

Components for reversing and changeover assemblies of 3 LC1F contactors - 3-pole, 4-pole.

Mechanical interlock kits (continued)

Vertically mounted

Contactor type ⁽¹⁾			Mechanical interlock ⁽²⁾	
Top	Middle	Bottom	Kit reference ⁽³⁾	Weight kg
LC1F500, F5002 or F5004 (continued)	LC1F500, F5002 or F5004	LC1F185, F225, F1854 or F2254	LA9FK4K4G	1.669
		LC1F265, F330, F2654 or F3304	LA9FK4K4H	1.825
		LC1F400, F4002 or F4004	LA9FK4K4J	1.896
		LC1-F500, F5002 or F5004	LA9FK4K4K	1.896
LC1F630, F800, F6302 or F6304	LC1F115, F150, F1154 or F1504	LC1F115, F150, F1154 or F1504	LA9FL4F4F	1.428
		LC1F185, F225, F1854 or F2254	LA9FL4G4F	1.431
		LC1F185, F225, F1854 or F2254	LA9FL4G4G	1.436
		LC1F265, F330, F2654 or F3304	LA9FL4H4F	1.602
		LC1F185, F225, F1854 or F2254	LA9FL4H4G	1.606
		LC1F265, F330, F2654 or F3304	LA9FL4H4H	1.751
		LC1F400, F4002 or F4004	LA9FL4J4F	1.673
		LC1F185, F225, F1854 or F2254	LA9FL4J4G	1.676
		LC1F265, F330, F2654 or F3304	LA9FL4J4H	1.832
		LC1F400, F4002 or F4004	LA9FL4J4J	1.903
		LC1-F500, F5002 or F5004	LA9FK4K4F	1.666
		LC1F185, F225, F1854 or F2254	LA9FK4K4G	1.669
LC1F265, F330, F2654 or F3304	LA9FK4K4H	1.825		
LC1F400, F4002 or F4004	LA9FK4K4J	1.896		
LC1-F500, F5002 or F5004	LA9FK4K4K	1.896		
LC1F630, F800, F6302 or F6304	LC1F115, F150, F1154 or F1504	LC1F115, F150, F1154 or F1504	LA9FL4L4F	1.680
		LC1F185, F225, F1854 or F2254	LA9FL4L4G	1.683
		LC1F265, F330, F2654 or F3304	LA9FL4L4H	1.910
		LC1F400, F4002 or F4004	LA9FL4L4J	1.896
		LC1F500, F5002 or F5004	LA9FL4L4K	1.896
		LC1F630, F800, F6302, or F6304	LA9FL4L4L	1.920

⁽¹⁾ To order the 3 contactors, see pages B9/2 and B9/3. For auxiliary contact blocks LADN02 used for electrical locking, see page B9/11. For accessories, see pages B9/12 to B9/14.

⁽²⁾ Minimum distances between contactors.

This is the distance, in mm, between the centres of two adjacent contactors (between the top and middle contactors or between the middle and bottom contactors).

Contactor

Bottom or top	Middle					
	LC1F115 or F150	LC1F185 or F225	LC1F265 or F330	LC1F400	LC1F500	LC1F630 or F800
LC1F115 or F150	200	210	240	250	270	320
LC1F185 or F225	210	220	250	250	270	330
LC1F265 or F330	240	250	250	260	280	350
LC1F400	250	250	260	260	280	320
LC1F500	270	270	280	280	300	340
LC1F630 or F800	320	330	350	320	340	380

⁽³⁾ The kit contains the lever arms, the 2 x Ø8 mm rods and all parts required for assembly. 1 right-angled mounting bracket included per driven contactor LC1F265 to 8004.

3-pole, 4-pole electrical distribution - changeover application

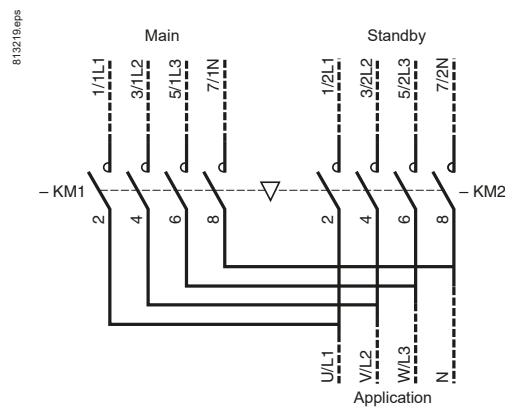
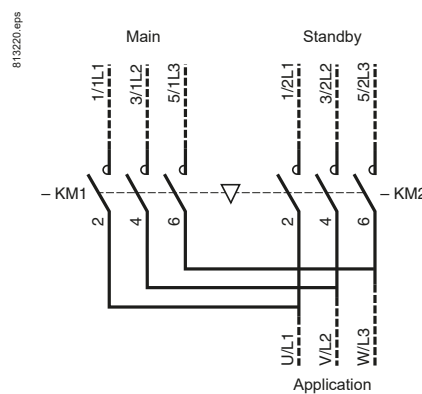
A changeover contactor pair ensures continuity of operation of an installation and energy management.

It switches between:

- a power supply source M (main) which normally supplies the installation
- and a power supply source S (standby) which may be an incoming line from an additional network or a generating set.

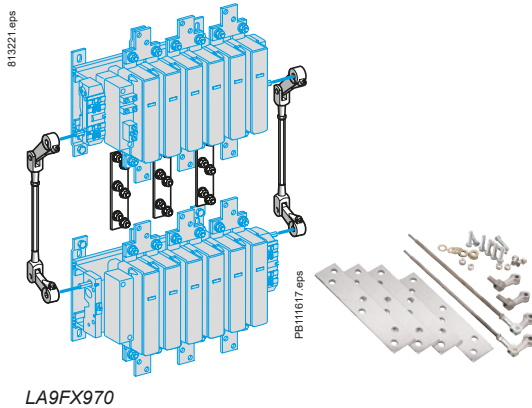
The supply sources may be 3-phase or 3-phase + neutral.

Supply - 3-phase



The 2 contactors must be mechanically and electrically interlocked to prevent any paralleling, even transitory, of the two supplies.





LA9FX970

Changeover contactor pairs for customer assembly: 3-phase

Vertically mounted.
 Maximum operational voltage: 1000 V.
 Utilisation category: AC-1.
 Maximum temperature in the vicinity of the devices: 40 °C.
 a.c. or d.c. contactor control voltage.

Maximum operational current AC-1		Contactors ⁽¹⁾		Mechanical interlock ⁽²⁾
Main	Standby	Main	Standby	Reference
3-phase	3-phase	Reference	Reference	Reference
1600 A	1000 A	LC1F780	LC1F6309	LA9FX970
1600 A	1600 A	LC1F780	LC1F780	LA9FX970

Changeover contactor pairs for customer assembly: 3-phase + neutral

Vertically mounted.
 Maximum operational voltage: 1000 V.
 Utilisation category: AC-1.
 Maximum temperature in the vicinity of the devices: 40 °C.
 a.c. or d.c. contactor control voltage.

Maximum operational current AC-1		Contactors ⁽¹⁾		Mechanical interlock ⁽²⁾
Main	Standby	Main	Standby	Reference
3-phase + N	3-phase + N	Reference	Reference	Reference
1600 A + 1000 A	1000 A + 1000 A	LC1F78041	LC1F63049	LA9FX970 ⁽³⁾
1600 A + 1000 A	1600 A + 1000 A	LC1F78041	LC1F78040	LA9FX970 ⁽³⁾
1600 A + 1600 A	1000 A + 1000 A	LC1F7804	LC1F63049	LA9FX971
1600 A + 1600 A	1600 A + 1600 A	LC1F7804	LC1F7804	LA9FX971

- ⁽¹⁾ Coils to be ordered separately, see pages B9/17 to B9/26.
- ⁽²⁾ Double mechanical interlock mechanism with 2 interlock connecting rods and 4 power connecting links. To order the the 2 auxiliary contact blocks **LADN●1** required to obtain electrical interlocking between the 2 contactors: see page B9/11.
- ⁽³⁾ Neutral connecting link not supplied (to be ordered separately).



High power contactors



Control Panel Technical Guide:

Description and product reference of all mounting kits and wiring accessories for TeSys D, K, F - Star Delta, reverser, low-high speed control motor starters and changeover applications.

> Ref. Document: CPTG011_EN



> Click on QR code to download

High power
contactors

TeSys F

Technical Data for Designers

Contents

TeSys F contactors:

- > characteristics B9/44 to B9/53
- > dimensions B9/54 to B9/60
- > schemes B9/61 and B9/62

TeSys V vacuum contactors:

- > characteristics B9/64 and B9/65
- > dimensions B9/66 and B9/67
- > schemes B9/66 to B9/69

TeSys FG shockproof contactors:

- > characteristics B9/70 to B9/85
- > dimensions
and schemes B9/86 and B9/87

TeSys CR1F magnetic latching contactors:

- > characteristics B9/88 to B9/97
- > dimensions B9/98 to B9/101

TeSys F - reversing and changeover contactors:

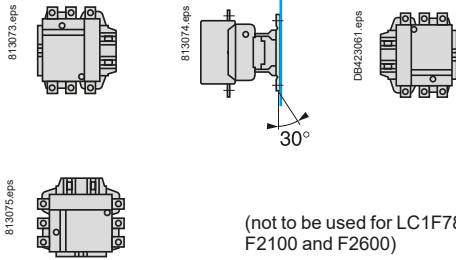
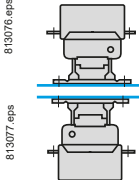
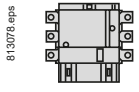
- > dimensions B9/102 to B9/107
- > schemes B9/106 to B9/107

High power
contactors

TeSys

TeSys F High power contactors

Characteristics

Environment			LC1F115	LC1F150	LC1F185
Rated insulation voltage (Ui)	Conforming to IEC 60947-4-1. Overvoltage category III, degree of pollution: 3	V	1000	1000	1000
Rated impulse withstand voltage (Uimp)	Coil not connected to the power circuit	kV	8	8	8
Conforming to standards			IEC/EN 60947-4-1, UL 60947-4-1, CSA C22.2 n° 60947-4-1, JIS C 8201-4-1		
Product certifications			UL, CSA, CCC, CB certification, EAC, ABS, BV, DNV-GL, LRoS, RINA, RMRoS		
Degree of protection	Conforming to IEC 60529		IP 2X front face with shrouds LA9F		
Climatic withstand			According to IACS E10		
Ambient air temperature around the device	Storage	°C	-60...+80		
	Operation	°C	-5...+55		
	Permissible at Uc ⁽¹⁾	°C	-40...+70		
Maximum operating altitude	Without derating	m	3000		
Operating positions	Without derating		 <p>(not to be used for LC1F780, F1000, F1400, F1700, F2100 and F2600)</p>		
	With derating		 <p>Apply the following derating coefficients: 0.75 on the pull-in voltage, 0.9 on the drop-out voltage and 0.8 on the operational current in AC-1.</p> <p>Apply the following derating coefficients: 1.15 on the pull-in voltage, 1.1 on the drop-out voltage and 0.8 on the operational current in AC-1.</p> <p>In either case: neither the making and breaking capacities nor the electrical and mechanical durabilities can be assured.</p>		
	Not to be used				
Shock resistance ⁽²⁾ 1/2 sine wave = 11 ms	Contactors open		9 gn	9 gn	7 gn
	Contactors closed ⁽³⁾		15 gn	15 gn	15 gn
Vibration resistance ⁽²⁾ 5...300 Hz	Contactors open		2 gn	2 gn	2 gn
	Contactors closed		6 gn	6 gn	5 gn

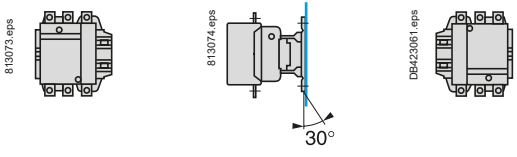
- (1) In these conditions, it is recommended that LX9F coils be used for contactor sizes F115 to F225.
- (2) In the least favourable direction, without change of contact state (coil at Uc). Where higher resistance to mechanical shock is required, select shock-proof contactors. Please consult your Regional Sales Office.
- (3) 12 gn for F115-F1250 contactors when used with Electronic control module (LA4EM) & LXE coils.

TeSys

TeSys F High power contactors

Characteristics

LC1F225	LC1F265	LC1F330	LC1F400	LC1F500	LC1F630	LC1F780	LC1F800	LC1 F1000	LC1 SF1200	LC1 F1250	LC1 F1400	LC1 F1700	LC1 F2100	LC1 F2600
1000	1000	1000	1000	1000	1000	1000	1000	1000	1000	1000	1000	1000	1000	1000
8	8	8	8	8	8	8	8	8	8	8	8	8	8	8
EN 60947-1, EN 60947-4-1, IEC 60947-1, IEC 60947-4-1, JIS C 8201-4-1 (except for LC1F1000 & LC1SF1200)														
UL, CSA, CCC, CB certification, EAC, ABS, BV, DNV-GL, LRoS, RINA, RMRoS								CB, CSA, UL, CCC, LRoS, ABS, RMRoS	CB, CSA, CCC	CB, CCC	CB, CSA, CCC, UL			
IP 20 front face with shrouds LA9F								-	-	-				
According to IACS E10														
-60...+80														
-5...+55								-5...+40	-5...+60	-5...+40				
-40...+70						-5...+55	-40...+60	-40...+70	-40...+60					
3000														



813075 eps (not to be used for LC1F780, F1000, F1400, F1700, F2100 and F2600)

813076 eps Apply the following derating coefficients: 0.75 on the pull-in voltage, 0.9 on the drop-out voltage and 0.8 on the operational current in AC-1.

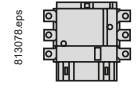
813077 eps Apply the following derating coefficients: 1.15 on the pull-in voltage, 1.1 on the drop-out voltage and 0.8 on the operational current in AC-1.

In either case: neither the making and breaking capacities nor the electrical and mechanical durabilities can be assured.

Not to be used

Possible positions with derating (see corresponding paragraph on left, same line)

Not to be used



7 gn	6 gn	6 gn	6 gn	9 gn	6 gn	5 gn	6 gn	6 gn	6 gn	6 gn	6 gn	6 gn	6 gn	6 gn
15 gn	15 gn	15 gn	15 gn	15 gn	15 gn	15 gn	15 gn	15 gn	15 gn	15 gn	15 gn	15 gn	15 gn	15 gn
2 gn	2 gn	2 gn	1.5 gn	2 gn	2 gn	2.5 gn	2 gn	2 gn	2 gn	2 gn	2 gn	2 gn	2 gn	2 gn
5 gn	5 gn	5 gn	5 gn	4 gn	4 gn	5.5 gn	4 gn	4 gn	4 gn	4 gn ⁽¹⁾	4 gn	4 gn	4 gn	4 gn

(1) Vibration resistance 5...30 Hz, when used with Electronic Control Module (ECM).

High power contactors

TeSys

TeSys F High power contactors

Characteristics

Pole characteristics

Contactor type			LC1F115	LC1F150	LC1F185	LC1F225	LC1F265	
Number of poles			3 or 4	3 or 4	3 or 4	3 or 4	3 or 4	
Rated operational current (Ie) (Ue ≤ 440 V)	In AC-3, θ ≤ 55 °C	A	115	150	185	225	265	
	In AC-1, θ ≤ 40 °C	A	200	250	275	315	350	
Rated operational voltage (Ue)	Up to	V	690	690	690	690	1000 ⁽⁵⁾	
Frequency limits	Of the operational current ⁽¹⁾	Hz	16 ^{2/3} ...200	16 ^{2/3} ...200	16 ^{2/3} ...200	16 ^{2/3} ...200	16 ^{2/3} ...200	
Conventional thermal current	θ ≤ 40 °C	A	200	250	275	315	350	
Rated making capacity	I rms conforming to IEC 60947-4-1	A	Making current: 10 x I in AC-3 or 12 x I in AC-4					
Rated breaking capacity	I rms conforming to IEC 60947-4-1	A	Making and breaking current: 8 x I in AC-3 or 10 x I in AC-4					
Maximum permissible current No current flowing for previous 60 minutes, at θ ≤ 40 °C	For 10 s	A	1100	1200	1500	1800	2200	
	For 30 s	A	640	700	920	1000	1230	
	For 1 min	A	520	600	740	850	950	
	For 3 min	A	400	450	500	560	620	
	For 10 min	A	320	350	400	440	480	
Short-circuit protection by fuses U ≤ 440 V	Motor circuit (type aM)	A	125	160	200	250	315	
	With thermal overload relay (type gG)	A	200	200	315	315	500	
	gG fuses	A	200	250	315	315	400	
Average impedance per pole	At Ith and 50 Hz	mΩ	0.37	0.35	0.33	0.32	0.3	
Power dissipation per pole for the above operational currents	AC-3	W	5	8	12	16	21	
	AC-1	W	15	22	25	32	37	
Connection			Maximum c.s.a.					
	Bar	Number of bars		2	2	2	2	2
		Bar	mm	20 x 3	25 x 3	25 x 3	32 x 4	32 x 4
	Cable with lug		mm²	95	120	150	185	240
	Cable with connector		mm²	95	120	150	185	240
Bolt diameter		mm	Ø6	Ø8	Ø8	Ø10	Ø10	
Tightening torque	Power circuit connections	N.m	10	18	18	35	35	

(1) Sine wave without interference. Above these values, contactors can be used only for AC-1 application.

(2) With set of right-angled connectors **LA9F2100** (see page B9/13).

(3) Paralleling of poles must be carried out only in accordance with the fuse manufacturer's recommendations.

(4) θ ≤ 60 °C with set of right-angled connectors **LA9F2600** (see page B9/13).

(5) Ue ≤ 690 V in AC-3; Ue ≤ 1000 V in AC-1.

(6) Ue = 1000 V, with set of right angled connectors **LA9F2100** (see page B9/13).

TeSys

TeSys F High power contactors

Characteristics

LC1F330	LC1F400	LC1F500	LC1F630	LC1F780	LC1F800	LC1F1000	LC1SF1200	LC1F1250	LC1F1400	LC1F1700	LC1F2100	LC1F2600
3 or 4	2, 3 or 4	2, 3 or 4	2, 3 or 4	3 or 4	3	3	3	3	3	3	3	3
330	400	500	630	780	800	1000	-	-	-	-	-	-
400	500	700	1000	1600	1000	1250	1200	1260	1400	1700	2100 ⁽²⁾	2600 ⁽⁴⁾
1000	1000	1000 ⁽⁵⁾	1000	1000	1000	440	690	690	1000	1000	1000 ⁽⁶⁾	1000
16 ^{2/3} ...200	16 ^{2/3} ...200	16 ^{2/3} ...200	16 ^{2/3} ...200	16 ^{2/3} ...200	16 ^{2/3} ...200	16 ^{2/3} ...200	16 ^{2/3} ...200	16 ^{2/3} ...200	16 ^{2/3} ...200	16 ^{2/3} ...200	16 ^{2/3} ...200	16 ^{2/3} ...200
400	500	700	1000	1600	1000	1250	1200	1260	1400	1700	2100 ⁽²⁾	2600 ⁽⁴⁾
Making current: 10 x I in AC-3 or 12 x I in AC-4						10 x I in AC-3	Making current: 1.5 x I in AC-1					
Making and breaking current: 8 x I in AC-3 or 10 x I in AC-4						8 x I in AC-3	Making and breaking current: 1.5 x I in AC-1					
2650	3600	4200	5050	6250	5500	10000	8000	8000	8000	10000	10000	12000
1800	2400	3200	4400	5600	4600	7500	5200	5200	6000	7500	7500	9000
1300	1700	2400	3400	4600	3600	5500	4000	4000	4500	5500	5500	7000
900	1200	1500	2200	3000	2600	4200	3000	3000	4000	4200	4200	6000
750	1000	1200	1600	2200	1700	3000	2000	2000	2600	3000	3000	4000
400	400	500	630	800	800	1000	-	-	-	-	-	-
500	630	800	800	1000	1000	1000	-	-	-	-	-	-
500	500	800	1000	2 x 800 ⁽³⁾	1000	1000	1400	1400	2 x 800 ⁽³⁾	2 x 800 ⁽³⁾	2 x 1000 ⁽³⁾	2 x 1250 ⁽³⁾
0.28	0.26	0.18	0.12	0.10	0.12	0.12	0.10	0.12	0.10	0.10	0.10	0.10
31	42	45	48	60	77	100	-	-	-	-	-	-
44	65	88	120	250	120	120	120	120	150	200	200	250
Maximum c.s.a.												
2	2	2	2	2	2	3	2	2	2	3	4	3
30 x 5	30 x 5	40 x 5	60 x 5	100 x 5	60 x 5	100 x 5	50x8	100 x 5	100 x 5	100 x 5	100 x 5	100 x 10
240	2 x 150	2 x 240	-	-	-	-	-	-	-	-	-	-
-	-	-	-	-	-	-	-	-	-	-	-	-
Ø10	Ø10	Ø10	Ø12	2 x Ø12	Ø12	4 x Ø12 (Ø11.5 with set of right-angled connectors LA9F2100)	3 x Ø12	3 x Ø12 (Ø11.5 with set of right-angled connectors LA9F1250)	4 x Ø12 (Ø11.5 with set of right-angled connectors LA9F2100)	4 x Ø12 (Ø11.5 with set of right-angled connectors LA9F2600)		4 x Ø12 (Ø11.5 with set of right-angled connectors LA9F2600)
35	35	35	58	58	58	58 (35 with set of right-angled connectors LA9F2100)	58	58 (35 with set of right-angled connectors LA9F1250)	58 (35 with set of right-angled connectors LA9F2100)	58 (35 with set of right-angled connectors LA9F2600)		58 (35 with set of right-angled connectors LA9F2600)

TeSys

TeSys F High power contactors

Characteristics

a.c. control circuit characteristics with LX9 coil								
Contactor type			LC1F115	LC1F150	LC1F185	LC1F225	LC1F265	
Rated control circuit voltage (Uc)			V	48...500			24...1000	
Control voltage limits ($\theta \leq 55\text{ }^{\circ}\text{C}$)	40...400 Hz coils	Operation		0.85...1.1 Uc			0.85...1.1 Uc	
		Drop-out		0.2...0.55 Uc			0.35...0.55 Uc	
Average consumption at 20 °C and at Uc	Inrush	40...400 Hz coil	VA	690...855	690...855	950...1180	950...1180	600...700
		Cos φ		0.9	0.9	0.9	0.9	0.9
	Sealed	40...400 Hz coil	VA	6.6...8.1	6.6...8.1	8.9...10.9	8.9...10.9	8...10
		Cos φ		0.9	0.9	0.9	0.9	0.9
Heat dissipation			W	5.9...7.2	5.9...7.2	8...9.8	8...9.8	8
Operating time ⁽²⁾	Closing "C"		ms	35	35	35	35	40...65
	Opening "O"		ms	130	130	130	130	100...170
Mechanical durability at Uc	In millions of operating cycles			10	10	10	10	10
Maximum operating rate at ambient temperature $\leq 55\text{ }^{\circ}\text{C}$	In operating cycles per hour			2400	2400	2400	2400	2400
Connection				Min/max c.s.a.				
	Flexible cable without cable end	1 or 2 conductors	mm ²	1/4	1/4	1/4	1/4	1/4
	Flexible cable with cable end	1 conductor	mm ²	1/4	1/4	1/4	1/4	1/4
		2 conductors	mm ²	1/2.5	1/2.5	1/2.5	1/2.5	1/2.5
	Solid cable without cable end	1 or 2 conductors	mm ²	1/4	1/4	1/4	1/4	1/4
Tightening torque			N.m	1.2	1.2	1.2	1.2	1.2
Mechanical latching			Mechanical latch blocks LA6DK must not be fitted on LC1F contactors. For similar type of operation, use magnetic latching contactors CR1F. See pages B9/28 to B9/33.					

(1) Equipped with 2 coils.

(2) The closing time "C" is measured from the moment the coil supply is switched on to initial contact of the main poles. The opening time "O" is measured from the moment the coil supply is switched off to the moment the main poles separate.

COORD.

Ref.



High power contactors

TeSys

TeSys F High power contactors

Characteristics

LC1 F330	LC1 F400	LC1 F500	LC1 F630	LC1 F780 ⁽¹⁾	LC1 F800	LC1 F1000 ⁽¹⁾	LC1 F1250	LC1 F1400 ⁽¹⁾	LC1 F1700	LC1 F2100 ⁽¹⁾	LC1 F2600 ⁽¹⁾
24...1000	48...1000		48...1000	110...500	110...400	110...500	110...600	110...500	110...500	110...500	110...500
0.85...1.1 Uc	0.85...1.1 Uc		0.85...1.1 Uc	0.85...1.1 Uc	0.85...1.1 Uc	0.85...1.1 Uc	0.85...1.1 Uc	0.85...1.1 Uc	0.85...1.1 Uc	0.85...1.1 Uc	0.85...1.1 Uc
0.35...0.55 Uc	0.3...0.5 Uc		0.25...0.5 Uc	0.2...0.4 Uc	0.3...0.5 Uc	0.3...0.5 Uc	0.25...0.5 Uc	0.3...0.5 Uc	0.3...0.5 Uc	0.3...0.5 Uc	0.3...0.5 Uc
600...700	1000...1150	1050...1150	1500...1730	1900...2300	1700	1600...2400	1500...1730	1600...2400	1600...2400	1600...2400	2200...2700
0.9	0.9	0.9	0.9	0.9	0.9	0.9	0.9	0.9	0.9	0.9	0.9
8...10	12...18	16...20	20...25	44...55	12	29...37	20...25	29...37	29...37	29...37	37.4...50.6
0.9	0.9	0.9	0.9	0.9	–	0.9	0.9	0.9	0.9	0.9	0.9
8	14	18	20	2 x 22	25	2 x 18	20	2 x 18	2 x 18	2 x 18	2 x 25
40...65	40...75	40...75	40...80	40...80	60...80	40...75	40...80	40...75	40...75	40...75	40...80
100...170	100...170	100...170	100...200	130...230	160...180	100...170	100...200	100...170	100...170	100...170	100...200
10	10	10	5	5	5	0.5	1	0.5	0.5	0.5	0.5
2400	2400	2400	1200	600	600	600	1200	600	600	600	600
Min/max c.s.a.											
1/4	1/4	1/4	1/4	1/4	1/4	1/4	1/4	1/4	1/4	1/4	1/4
1/4	1/4	1/4	1/4	1/4	1/4	1/4	1/4	1/4	1/4	1/4	1/4
1/2.5	1/2.5	1/2.5	1/2.5	1/2.5	1/2.5	1/2.5	1/2.5	1/2.5	1/2.5	1/2.5	1/2.5
1/4	1/4	1/4	1/4	1/4	1/4	1/4	1/4	1/4	1/4	1/4	1/4
1.2	1.2	1.2	1.2	1.2	1.2	1.2	1.2	1.2	1.2	1.2	1.2

Mechanical latch blocks LA6DK must not be fitted on LC1F contactors.
 For similar type of operation, use magnetic latching contactors CR1F.
 See pages B9/28 to B9/33.

TeSys

TeSys F High power contactors

Characteristics

d.c. control circuit characteristics with LX4 coil								
Contactor type			LC1F115	LC1F150	LC1F185	LC1F225	LC1F265	
Rated control circuit voltage (Uc) ⁻⁻⁻		V	24...460	24...460	24...460	24...460	24...460	
Control voltage limits ($\theta \leq 55\text{ }^\circ\text{C}$)	Operation		0.85...1.1 Uc	0.85...1.1 Uc	0.85...1.1 Uc	0.85...1.1 Uc	0.85...1.1 Uc	
	Drop-out		0.15...0.2 Uc	0.15...0.2 Uc	0.15...0.2 Uc	0.15...0.2 Uc	0.15...0.2 Uc	
Average consumption at 20 °C and at Uc	⁻⁻⁻	Inrush	W	543...665	543...665	737...902	737...902	655...803
		Sealed	W	3.94...4.83	3.94...4.83	4.13...5.07	4.13...5.07	3.68...4.53
Average operating time at Uc ⁽¹⁾	Closing "C"	ms	30...40	30...40	30...40	30...40	40...50	
	Opening "O"	ms	30...50	30...50	30...50	30...50	40...65	
			<i>Note: the arcing time depends on the circuit switched by the poles. For all normal 3-phase applications, the arcing time is less than 10 ms. The load is isolated from the supply after a time equal to the sum of the opening time and the arcing time.</i>					
Mechanical durability at Uc	In millions of operating cycles		10	10	10	10	10	
Maximum operating rate at ambient temperature $\leq 55\text{ }^\circ\text{C}$	In operating cycles per hour		2400	2400	2400	2400	2400	
Cabling			Min/max c.s.a.					
Flexible cable without cable end	1 conductor	mm ²	1/4	1/4	1/4	1/4	1/4	
	2 conductors	mm ²	1/4	1/4	1/4	1/4	1/4	
Flexible cable with cable end	1 conductor	mm ²	1/4	1/4	1/4	1/4	1/4	
	2 conductors	mm ²	1/2.5	1/2.5	1/2.5	1/2.5	1/2.5	
Solid cable without cable end	1 conductor	mm ²	1/4	1/4	1/4	1/4	1/4	
	2 conductors	mm ²	1/4	1/4	1/4	1/4	1/4	
Tightening torque		N.m	1.2	1.2	1.2	1.2	1.2	
Mechanical latching		Mechanical latch blocks LA6DK must not be fitted on LC1F contactors. For similar type of operation, use magnetic latching contactors CR1F. See pages B9/28 to B9/33.						

(1) The operating times depend on the type of contactor electromagnet and its control mode.
The closing time "C" is measured from the moment the coil supply is switched on to initial contact of the main poles. The opening time "O" is measured from the moment the coil supply is switched off to the moment the main poles separate.

COORD.

Ref.

High power
contactors

TeSys

TeSys F High power contactors

Characteristics

LC1F330	LC1F400	LC1F500 / LC1SF1200 (1)	LC1F630	LC1F780	LC1F800	LC1F1000	LC1F1250	LC1F1400	LC1F1700	LC1F2100	LC1F2600
24...460	48...440	48...440	48...440	110...440	110...400	110...440	48...250	110...440	110...440	110...440	110...440
0.85...1.1 U _c	0.85...1.1 U _c	0.85...1.1 U _c	0.85...1.1 U _c	0.85...1.1 U _c	0.85...1.1 U _c	0.85...1.1 U _c	0.85...1.1 U _c	0.85...1.1 U _c	0.85...1.1 U _c	0.85...1.1 U _c	0.85...1.1 U _c
0.15...0.2 U _c	0.2...0.35 U _c	0.2...0.35 U _c (2)	0.2...0.35 U _c	0.2...0.4 U _c	0.3...0.5 U _c	0.2...0.35 U _c	0.2...0.35 U _c	0.2...0.35 U _c	0.2...0.35 U _c	0.2...0.35 U _c	0.2...0.35 U _c
655...803	920...1140	990...1220	1420...1920	1960...2420	1900	2000...2200	1420...1920	2000...2200	2000...2200	2000...2200	2130...2880
3.68...4.53	4...7.5	4.54...8	6.5...12.5	42...52	12	8...10	6.5...12.5	8...10	8...10	8...10	13...25
40...50	50...60	50...60	60...70	70...80	60...80	50...60	60...70	50...60	50...60	50...60	60...70
40...65	45...60	45...60	40...50	100...130	40...50	45...60	40...50	45...60	45...60	45...60	40...50

Note: the arcing time depends on the circuit switched by the poles. For all normal 3-phase applications, the arcing time is less than 10 ms. The load is isolated from the supply after a time equal to the sum of the opening time and the arcing time.

10	10	10/0.5	5	5	5	0.5	1	0.5	0.5	0.5	0.5
2400	2400	2400/1200	1200	600	600	600	1200	600	600	600	600
Min/max c.s.a.											
1/4	1/4	1/4	1/4	1/4	1/4	1/4	1/4	1/4	1/4	1/4	1/4
1/4	1/4	1/4	1/4	1/4	1/4	1/4	1/4	1/4	1/4	1/4	1/4
1/4	1/4	1/4	1/4	1/4	1/4	1/4	1/4	1/4	1/4	1/4	1/4
1/2.5	1/2.5	1/2.5	1/2.5	1/2.5	1/2.5	1/2.5	1/2.5	1/2.5	1/2.5	1/2.5	1/2.5
1/4	1/4	1/4	1/4	1/4	1/4	1/4	1/4	1/4	1/4	1/4	1/4
1/4	1/4	1/4	1/4	1/4	1/4	1/4	1/4	1/4	1/4	1/4	1/4
1.2	1.2	1.2	1.2	1.2	1.2	1.2	1.2	1.2	1.2	1.2	1.2

Mechanical latch blocks LA6DK must not be fitted on LC1F contactors.
For similar type of operation, use magnetic latching contactors CR1F.
See pages B9/28 to B9/33.

(1) LC1SF1200BD, LC1SF1200FD, LC1SF1200MD ranges are available.

(2) Drop-out limits for LC1SF1200BD shall be 0.2...0.4 U_c.

TeSys

TeSys F High power contactors

Characteristics

a.c. or d.c. control circuit characteristics with LXE coil ⁽¹⁾				LC1F115, F150	LC1F185, F225	LC1F265, F330	
Contactor type				LA4EM250FF	LA4EM250FG	LA4EM250FH	
ECM ⁽²⁾ reference				LXEFF250	LXEFG250	LXEFH250	
Coil reference							
Rated control circuit voltage (Uc)	50/60 Hz		V	100...250			
	---		V	100...380			
Control voltage limits (< 55 °C) 50/60 Hz	Operation		V	85...275			
		---	V	< 60			
	Drop-out		V	85...418			
		---	V	< 45			
Average consumption at 20 °C and at Uc	Inrush	50/60 Hz	VA rms	280...310	280...310	300...350	
		Cos φ		0.5...0.6			
	---		W	270...320	270...320	300...310	
	Sealed	50/60 Hz	VA	4.5...7.0	4.5...7.0	4.5...7.0	
		Cos φ		0.5...0.6			
	---			2.5...4.0	2.5...4.0	2.5...4.0	
	Embedded PLC ⁽⁴⁾ input according IEC 61131-2 type 2	Off state		V DC	0...5		
		On state			11...30		
Heat dissipation			W	2.2...5.5			
Operating time	Closing "C"		ms	40...80			
	Opening "O"		ms	6...54			
Mechanical durability at Uc	In millions of operating cycles			10			
Maximum operating rate at ambient temperature ≤ 55 °C	In operating cycles per hour			2400			
Connection ⁽⁵⁾	Flexible cable without cable end	1 conductor		0.2/2.5			
	Flexible cable with cable end	1 conductor		0.25/2.5			
	Solid cable without cable end	1 conductor		0.2/2.5			
Tightening torque			N.m	0.6			

(1) LXE coil shall be always used along with Electronic Control Module (ECM) LA4EM250●●.

(2) Electronic Control Module enables wider coil operating voltage for the TeSys F range of contactors. ECM LA4EM250●● shall be always used along with suitable type of LXE●●250 coils.

(3) LC1SF1200KUE is supplied with LA4EM250FK & LXEFK250.

(4) PLC control connectors shall be provided by customer (Type MC 1.5/2-ST-3.81).

(5) Connection input is made to Electronic control module (ECM).

TeSys

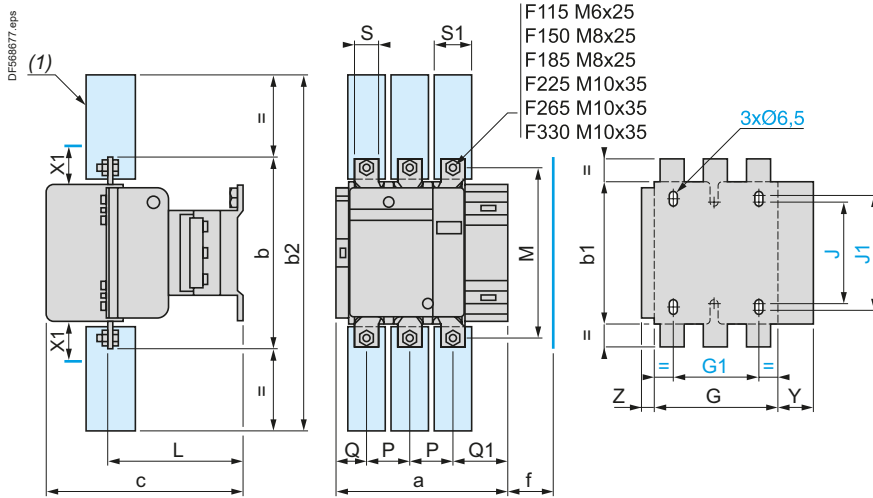
TeSys F High power contactors

Characteristics

LC1F400	LC1SF1200 ⁽³⁾	LC1F1250	LC1F800
LA4EM250FJ	LA4EM250FK	LA4EM250FL	LA4EM250FW
LXEFJ250	LXEFK250	LXEFL250	LXEFW250
100...250			
100...380			–
85...275			
< 60			
85...418			
< 45			
360...470	360...550	460...730	460...730
0.5...0.6			
410...450	410...500	500...680	–
4.5...7.0	5.0...8.0	7...10	7...10
0.5...0.6			
2.5...4.0	2.7...5.0	4.0...5.5	–
0...5			
11...30			
2.2...5.5			
40...80			
6...54			
10	10/0.5	5/1	5
2400	2400/1200	1200	600
0.2/2.5			
0.25/2.5			
0.2/2.5			
0.6			

Dimensions

LC1F115 to F330



X1 (mm) = Minimum electrical clearance according to operating voltage and breaking capacity.

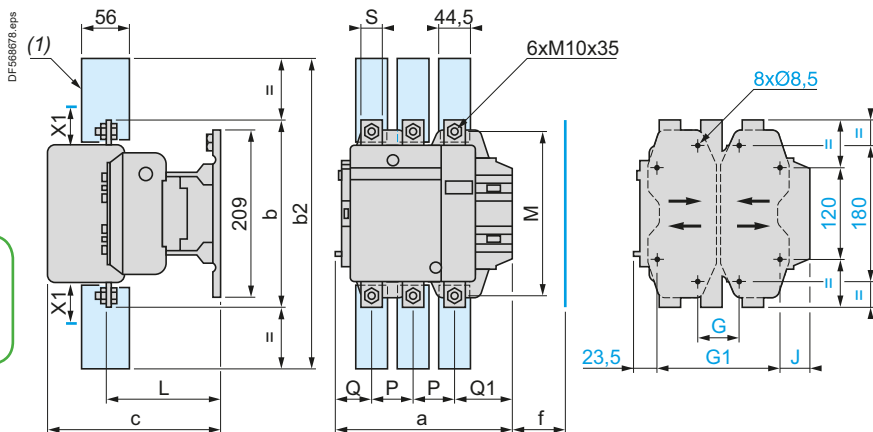
LC1	200...500 V	600...1000 V
F115, F150	10	15
F185	10	15
F225, F265	10	15
F330	10	15

(1) Power terminal protection shroud (see page B9/14).

LC1		a	b	b1	b2	c	f	G	G1	J	J1	L	M	P	Q	Q1	S	S1	Y	Z
F115	3P	163.5	162	137	265	171	131	106	80	106	120	107	147	37	29.5	60	20	26	44	13.5
	4P	200.5	162	137	265	171	131	143	80	106	120	107	147	37	29.5	60	20	26	44	13.5
F150	3P	163.5	170	137	301	171	131	106	80	106	120	107	150	40	26	57.5	20	34	44	13.5
	4P	200.5	170	137	301	171	131	143	80	106	120	107	150	40	26	55.5	20	34	44	13.5
F185	3P	168.5	174	137	305	181	130	111	80	106	120	113.5	154	40	29	59.5	20	34	44	13.5
	4P	208.5	174	137	305	181	130	151	80	106	120	113.5	154	40	29	59.5	20	34	44	13.5
F225	3P	168.5	197	137	364	181	130	111	80	106	120	113.5	172	48	21	51.5	25	44.5	44	13.5
	4P	208.5	197	137	364	181	130	151	80	106	120	113.5	172	48	17	47.5	25	44.5	44	13.5
F265	3P	201.5	203	145	375	213	147	142	96	106	120	141	178	48	39	66.5	25	44.5	38	21.5
	4P	244.5	203	145	375	213	147	190	96	106	120	141	178	48	34	66.5	25	44.5	38	16.5
F330	3P	213	206	145	375	219	147	154.5	96	106	120	145	181	48	43	74	25	44.5	38	20.5
	4P	261	206	145	375	219	147	202.5	96	106	120	145	181	48	43	74	25	44.5	38	20.5

f = minimum distance required for coil removal.

LC1F400 and F500



X1 (mm) = Minimum electrical clearance according to operating voltage and breaking capacity.

LC1	200...500 V	600...1000 V
F400	15	20
F500	15	20

(1) Power terminal protection shroud (see page B9/14).

LC1		a	b	b2	c	f	G	G	G	G1	G1	G1	J	L	M	P	Q	Q1	S
F400	2P	213	206	375	219	146	80	66	102	170	156	192	19.5	145	181	48	69	96	25
	3P	213	206	375	219	146	80	66	102	170	156	192	19.5	145	181	48	43	74	25
	4P	261	206	375	219	146	80	66	150	170	156	240	67.5	145	181	48	43	74	25
F500	2P	233	238	400	232	150	80	66	120	170	156	210	39.5	146	208	55	76	102	30
	3P	233	238	400	232	150	80	66	120	170	156	210	39.5	146	208	55	46	77	30
	4P	288	238	400	232	150	140	66	175	230	156	265	34.5	146	208	55	46	77	30

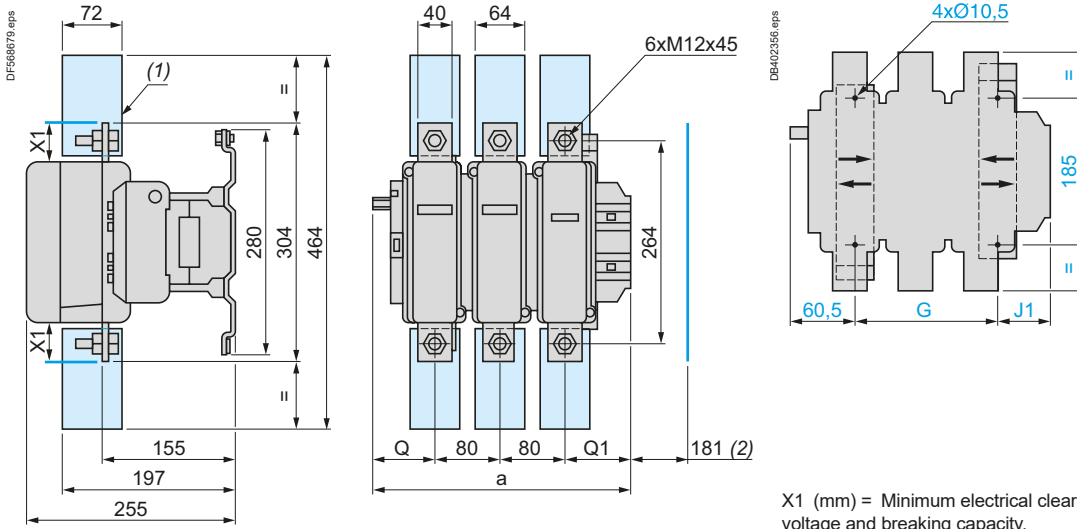
f = minimum distance required for coil removal.

TeSys

TeSys F High power contactors

Dimensions

LC1F630 and F800



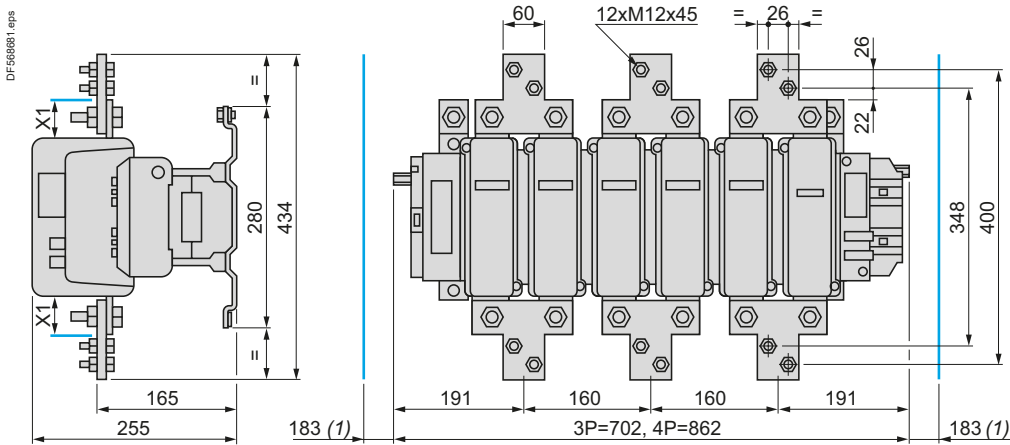
LC1		a	G supplied	G min.	G max.	J1	Q	Q1
F630	2P	309	180	100	195	68.5	102	127
F630, F800	3P	309	180	100	195	68.5	60	89
F630	4P	389	240	150	275	88.5	60	89

X1 (mm) = Minimum electrical clearance according to operating voltage and breaking capacity.

Voltage	200...500 V	690...1000 V	200...690 V	1000 V
LC1F630	20	30	-	-
LC1F800	-	-	10	20

- (1) Power terminal protection shroud (see page B9/14).
- (2) Minimum distance required for coil removal.

LC1F780

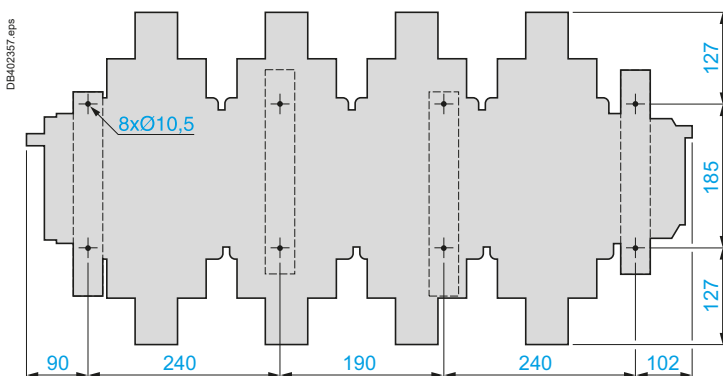


X1 (mm) = Minimum electrical clearance according to operating voltage and breaking capacity.

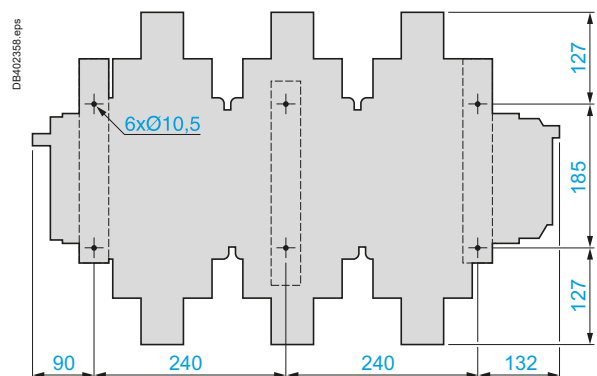
Voltage	200...500 V	690...1000 V
X1 (mm)	30	35

- (1) Minimum distance required for coil removal.

Fixing centres of LC1F7804



Fixing centres of LC1F780

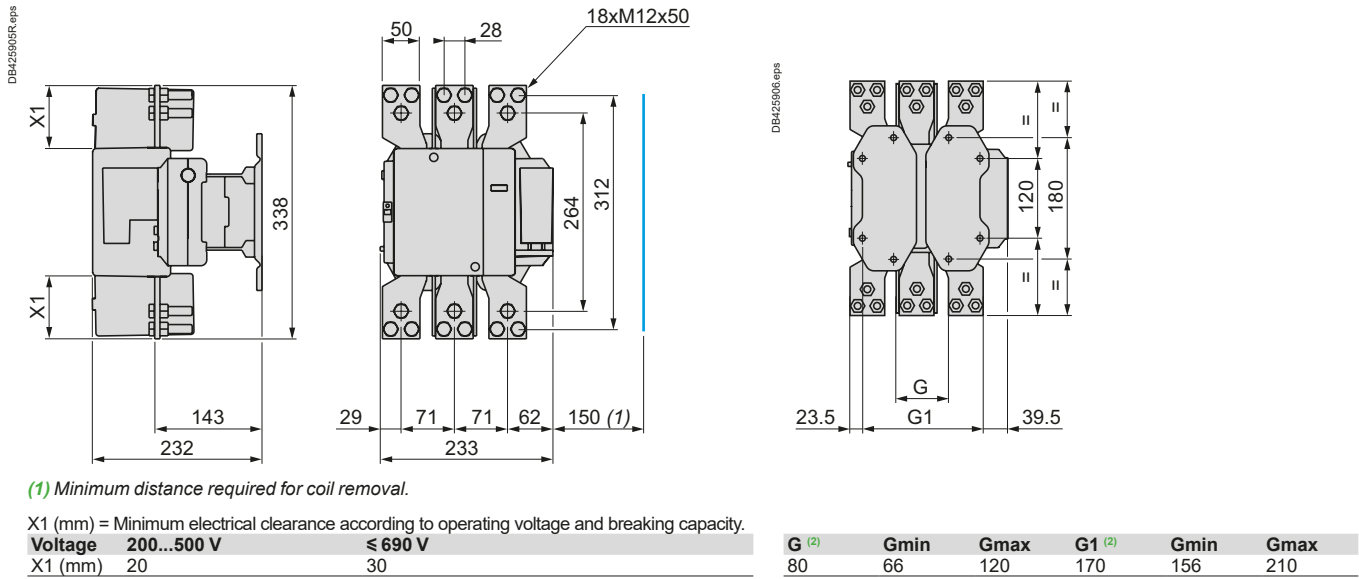


TeSys

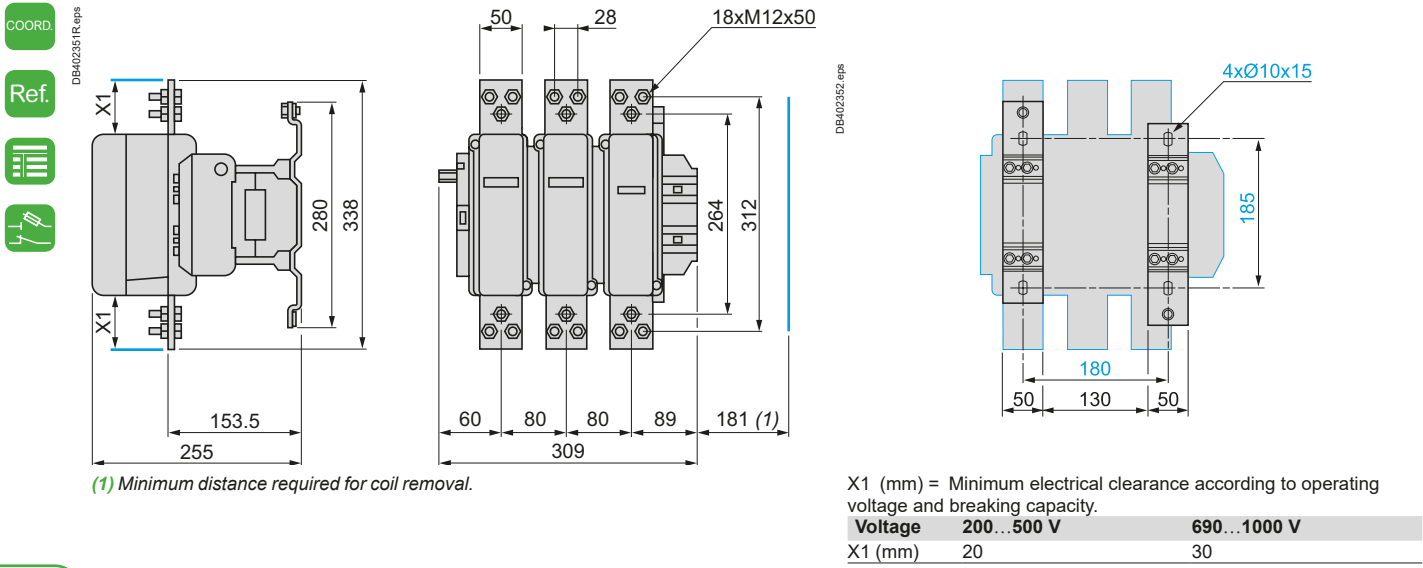
TeSys F High power contactors

Dimensions

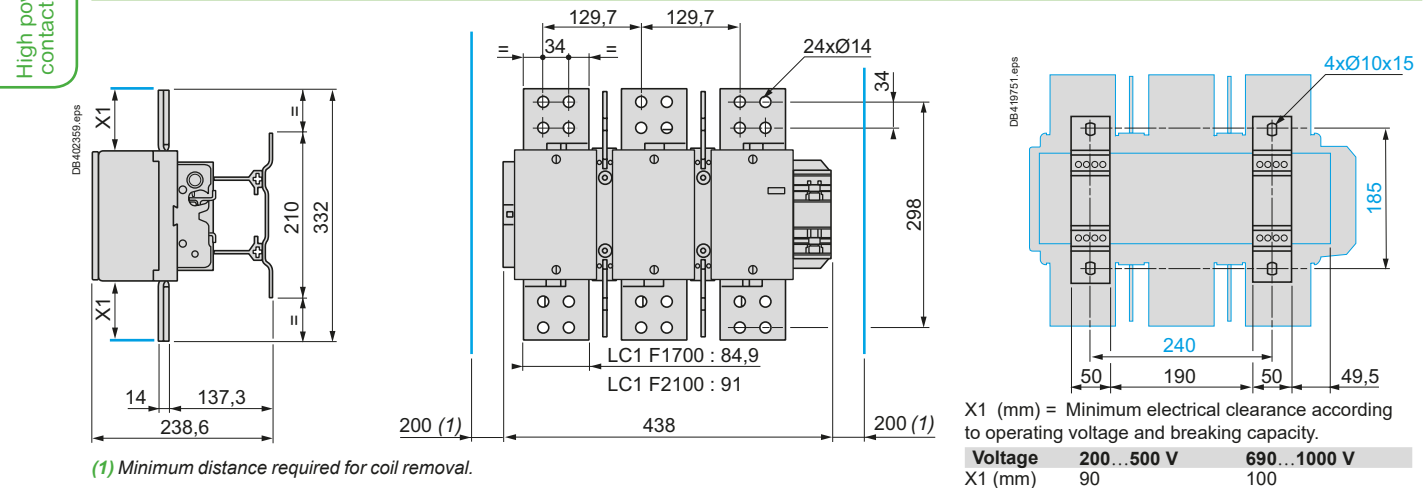
LC1SF1200



LC1F1250



LC1F1000, LC1F1400, LC1F1700 and LC1F2100

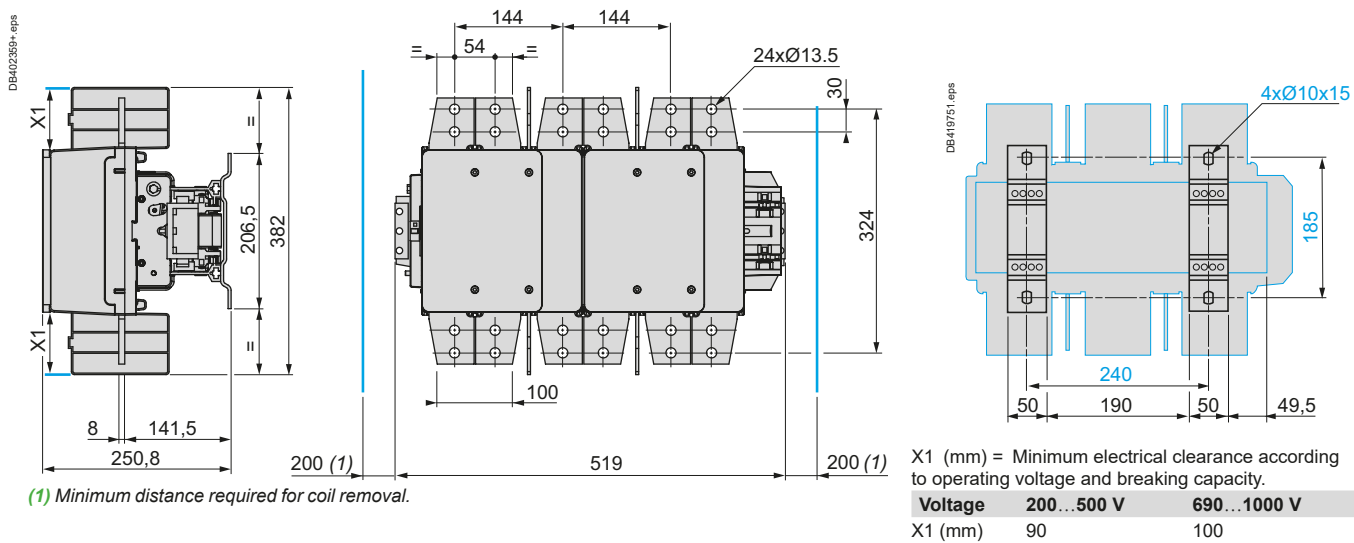


TeSys

TeSys F High power contactors

Dimensions

LC1F2600

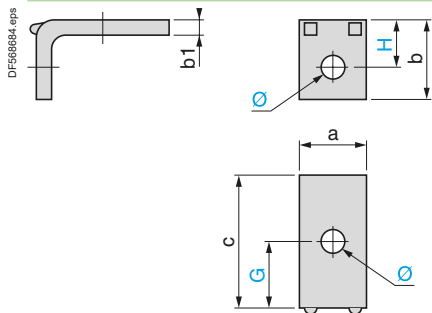


TeSys

TeSys F High power contactors - Accessories

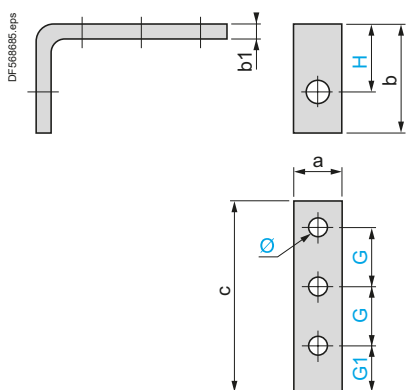
Dimensions

Right-angled connectors LA9F●981 (set of 3) for rear connection



LA9	FF981	FG981	FJ981	FK981	FL981
a	15	20	25	30	40
b	18	23	29	35	48
b1	3	3	4	5	8
c	42	45	55	52	86
G	24	26	32.5	26	45
H	10.5	13	16.5	20	28
Ø	6.5	9	11	11	13

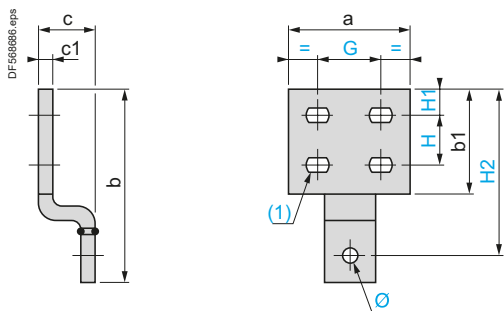
Right-angled connectors LA9F●979 (set of 3) for side connection



LA9	FF979	FG979	FJ979	FK979	FL979
a	15	20	25	30	40
b	54	58	63.5	68	117
b1	5	5	6	6	10
c	80	92	120	120	130
G	24	28	37	37	37.5
G1	20	22	29	29	35
H	36	39	41	42	76
Ø	6.5	9	11	11	13

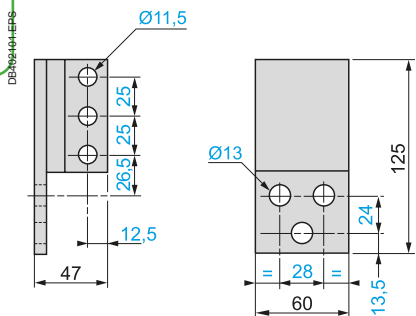
Ref.

Right-angled connectors LA9F●980 with large surface area (set of 3)

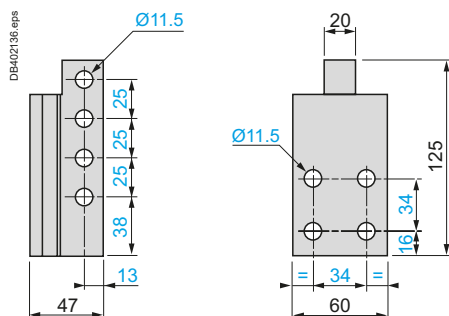


LA9	FF980	FG980	FJ980	FK980	FL980
a	35	40	50	60	100
b	70.5	82.5	98.5	114	154
b1	40	45	55	65	85
c	29	29	33	33	43
c1	3	3	5	5	10
G	18	20	25	29	53
H	18	20	22	26	40
H1	10	12	14	17	20
H2	60.5	72.5	84.5	97	132
Ø	6.5	9	11	11	13
(1)	Ø7 x 10	Ø9 x 12	Ø11 x 14	Ø12.5 x 15	Ø12.5 x 15

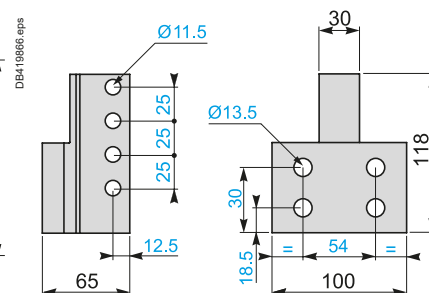
Right-angled connectors LA9F1250 (set of 6)



Right-angled connectors LA9F2100 (set of 6) for rear connection



Right-angled connectors LA9F2600 (set of 6) for rear connection



High power contactors

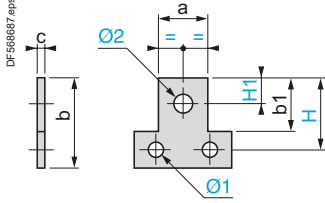
TeSys

TeSys F High power contactors - Accessories

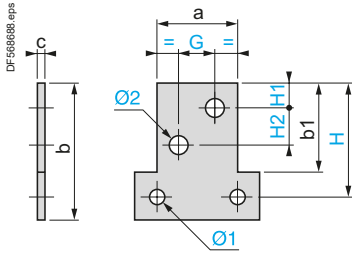
Dimensions

Paralleling links (set of 4)

LA9FF602, FG602, FH602



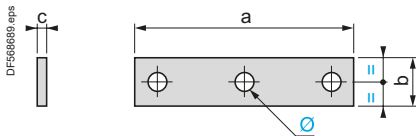
LA9FK602, FL602



LA9	FF602	FG602	FH602	FK602	FL602
a	25	30	40	50	60
b	45	55	60	85	100
b1	30	35	40	55	65
c	4	5	8	10	10
G	-	-	-	22	26
H	37.5	45	52.5	70	85
H1	12.5	15	15	14	17
H2	-	-	-	22	26
Ø1	6.5	9	11	11	13
Ø2	11	11	13	11	14

Links for "star" connection of 3 poles

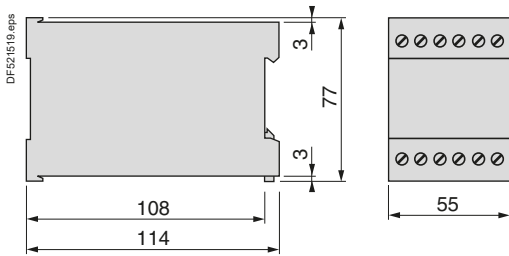
LA9F●601



LA9	FF601	FG601	FH601	FK601	FL601
a	69	100	121	140	200
b	15	20	20	30	40
c	3	3	5	5	8
Ø	6.5 x 8.5	8.5 x 10.5	10.5 x 13	11	13

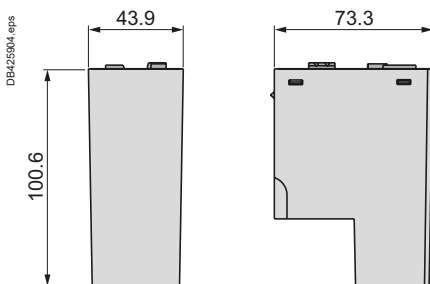
Capacitive delayed opening devices for TeSys F contactors

LAZR9●●



Electronic Control Module for LXE●●250 coils

LA4EM250●●



References:
pages B9/12 and B9/13

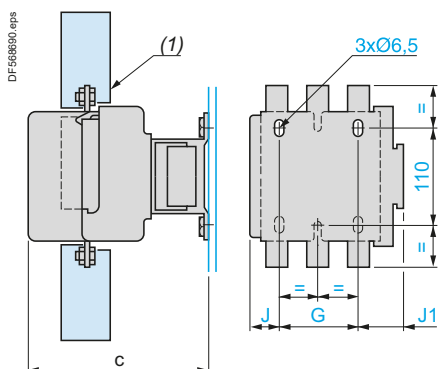
TeSys

TeSys F High power contactors

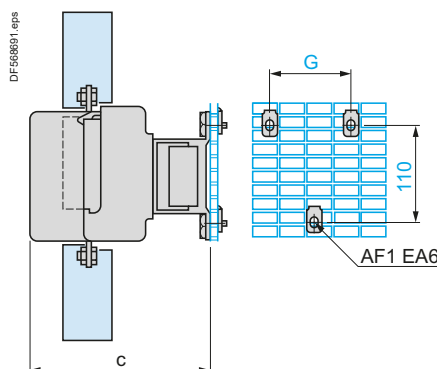
Mounting

LC1F115 to F330

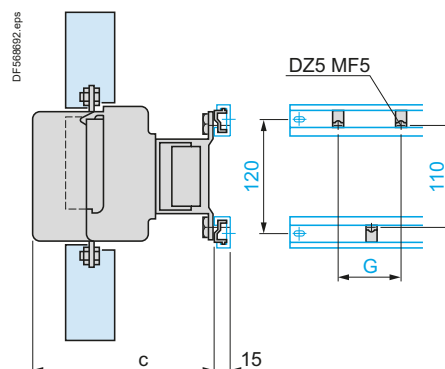
On panel



On pre-slotted mounting plate AM1PA, PB, PC



On rails DZ5MB on 120 mm centres



LC1	F115 F150	F185 F225	F265	F330
c ⁽²⁾	3P 171	181	213	219
	4P 171	181	213	219
G	3P 80	80	96	96
	4P 80	80	96	96
J	3P 26.5	29	44.5	44.5
	4P 45	49	68.5	68.5
J1	3P 57	59.5	61.5	61.5
	4P 75.5	79.5	85.5	85.5

LC1	F115 F150	F185 F225	F265	F330
c ⁽²⁾	3P 171	181	213	219
	4P 171	181	213	219
G	3P 80	80	96	96
	4P 80	80	96	96

LC1	F115 F150	F185 F225	F265	F330
c ⁽²⁾	3P 171	181	213	219
	4P 171	181	213	219
G	3P 80	80	96	96
	4P 80	80	96	96

COORD.

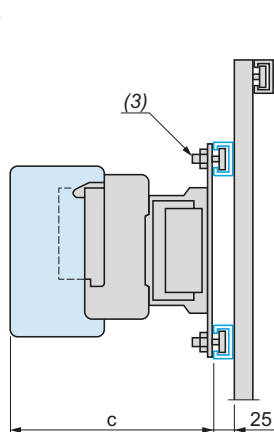
Ref.

High power contactors



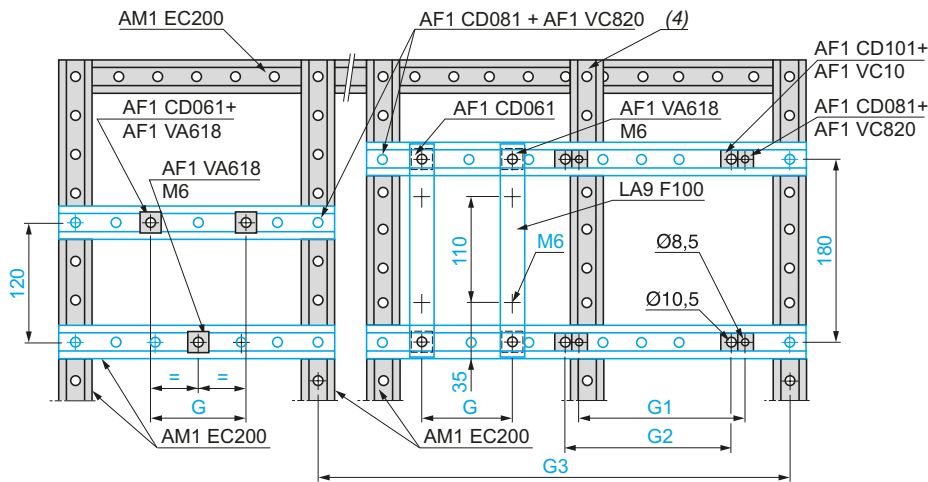
LC1F

On 2 notched rails AM1EC●●●



LC1F115 to F330

LC1F400 to F800



LC1	F115, F150	F185, F225	F265	F330	F400	F500	F630	F780	F800
c	3P 165 ⁽⁵⁾	176	207	213	219	232	255	255	255
	4P 165 ⁽⁵⁾	176	207	213	219	232	255	255	-
G (M6)	3P 80	80	96	96	-	-	-	-	-
	4P 80	80	96	96	-	-	-	-	-
G1 (Ø 8.5)	3P -	-	-	-	80	80	-	-	-
	4P -	-	-	-	80	140	-	-	-
G2 (Ø 10.5)	3P -	-	-	-	-	-	180	See page B9/55	180
	4P -	-	-	-	-	-	240	See page B9/55	-

(1) Power terminal protection shroud (see page B9/14).

(2) See X1 (minimum electrical clearance) pages B9/54 and B9/55.

(3) AF1CD●●● and AF1VA●●●.

(4) This AM1EC200 upright is required when G2 or G3 is greater than 700 mm (please consult your Regional Sales Office).

(5) + 6 mm with time-delay block on LC1F.

TeSys

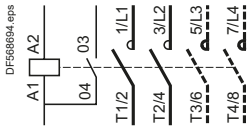
TeSys F High power contactors

Schemes

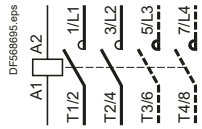
Contactors

2, 3 and 4-pole contactors

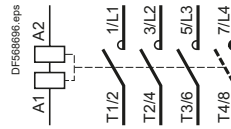
LC1F115 to F630, F1250
(coil LX1F ~)



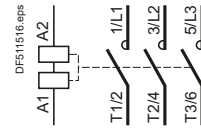
LC1F115 to F630, F1250 (coil LX4F ~)
LC1F115 to F265 (coil LX9F ~)
LC1F800 (coil LX8 F ~)



LC1F780 ~ or ~



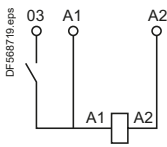
LC1F1000
LC1F1400 ~ or ~, LC1F1700 ~ or ~
LC1F2100 ~ or ~, LC1F2600 ~ or ~



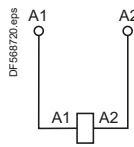
Coils

Standard ~ coils

LX1FJ...FL
LX1FH0422...FH3802

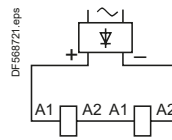


LX1FH0202...FH0362
LX1FH4402...FH10002
LX1F8



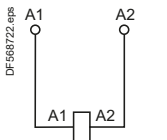
LX1FX

Rectifier supplied and fixed on the contactor



Standard ~ coils

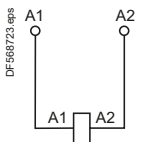
LX4FF, FG, FH, FJ, FK, FL, FX (1), LX4F8



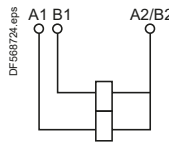
(1) 2 coils in series.

Special ~ coils

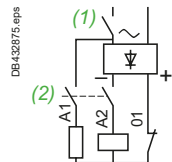
LX9FF, FG



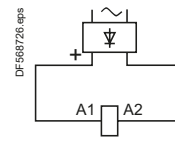
LX9FH...2



LX9FJ, FK, FL



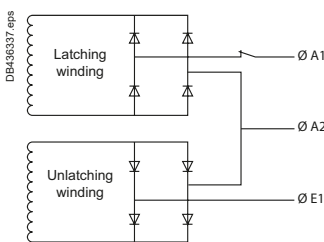
LX4F8



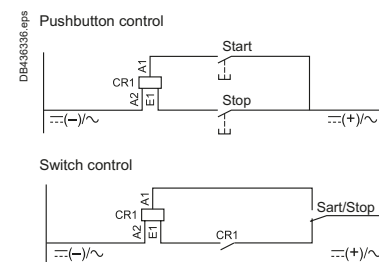
(1) Breaking on ~ side. Drop-out time 50 ms.
(2) Breaking on ~ side. Drop-out time 20 ms.

Specific wiring diagrams for CR1F contactors

Internal latching/unlatching diagram

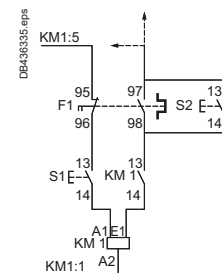
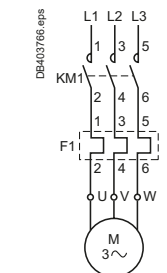


Control diagrams



Warning: terminal A2 is common to both windings in all cases.

Contactors CR1F with thermal overload relay



Coordination tables:
pages A6/36 to A6/45

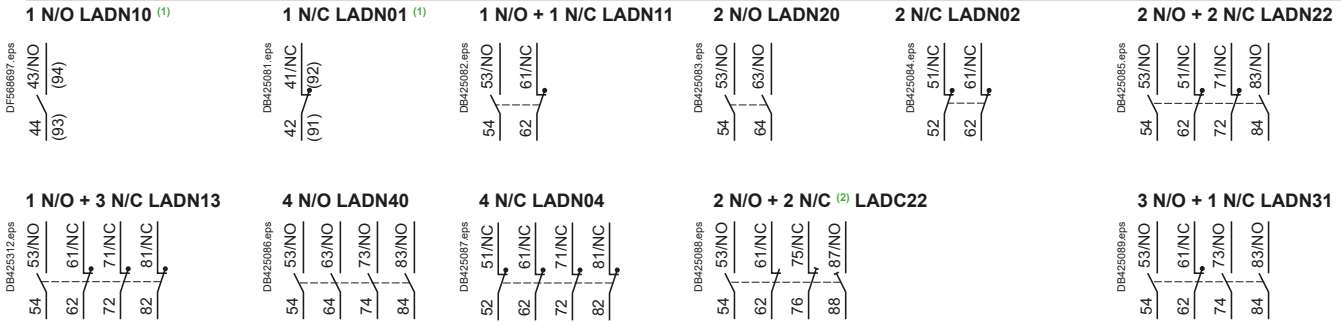
References:
pages B9/2 to B9/9

Characteristics:
pages B9/44 to B9/51

Dimensions:
pages B9/54 to B9/56

Add-on blocks

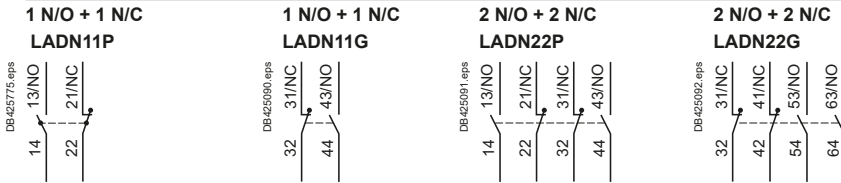
Instantaneous auxiliary contacts



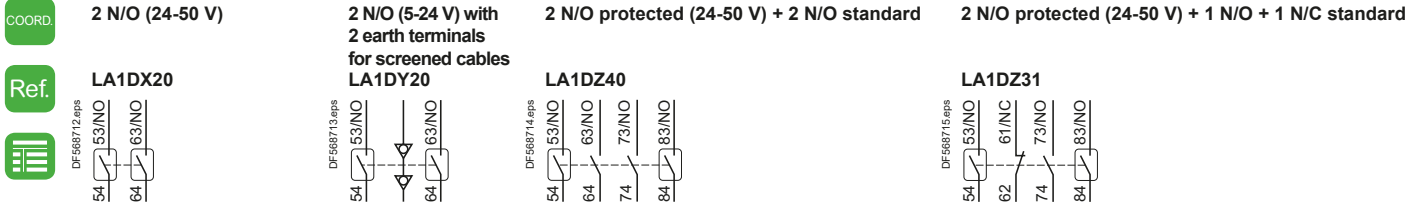
⁽¹⁾ Items in brackets: See "TeSys D contactors".

⁽²⁾ 1 N/O + 1 N/C make before break.

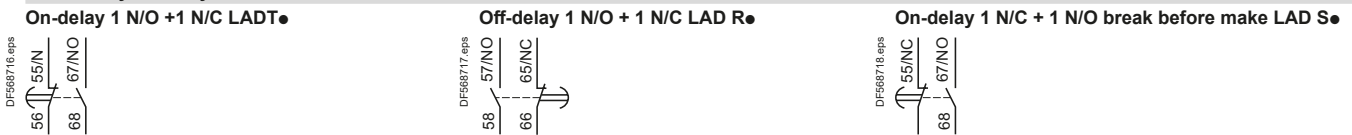
Instantaneous auxiliary contacts with terminal referencing conforming to standard EN 50012 (References: pages B9/10 and B9/11)



Dust and damp protected instantaneous auxiliary contacts

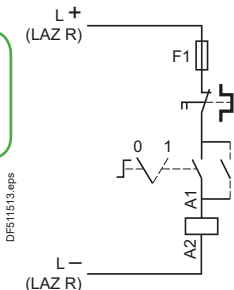


Time delay auxiliary contacts



Capacitive delayed opening devices for TeSys F contactors

LAZR9●● + LC1F



High power
contactors

Selection

Contactor size		LC1V160	LC1V320	LC1V610
----------------	--	---------	---------	---------

For utilisation category AC-3

	A	160	320	610
Maximum operational current in AC-3				
Rated operational power P (standard power ratings of motors)	230 V kW	45	90	160
	400 V kW	75	160	300
	525 V kW	110	220	400
	690 V kW	150	280	560
	1000 V kW	200	400	800
	1500 V kW	280	600	930

For 3-phase motors conforming to CSA standards

Rated operational power P (standard power ratings of 3-phase CSA motors)	200 V hp	50	100	150
	240 V hp	60	125	200
	380 V hp	100	200	300
	480 V hp	125	250	400
	600 V hp	150	300	500
	800 V hp	200	400	700
	1000 V hp	250	500	1000
	1500 V hp	400	800	1300

For switching 3-phase capacitors

Rated operational power P	240 V kVAR	47	94	176
	480 V kVAR	95	190	356
	600 V kVAR	100	200	400
	1500 V kVAR	250	500	1000

For switching the primaries of 3-phase transformers (LV/LV)

Rated operational power P	208 V kVA	20	41	81
	240 V kVA	23	47	94
	480 V kVA	47	94	188
	600 V kVA	59	117	234

Environment characteristics

Contactor type				LC1V160	LC1V320	LC1V610
Shock resistance (1/2 sine wave = 11 ms)	Contacts closed			10 gn	10 gn	10 gn
	Contacts open			10 gn	10 gn	10 gn
Vibration resistance		10...500 Hz		2 gn	2 gn	2 gn
Operating altitude	Above sea level	Maximum	m	3600	3600	3600
	Below sea level	Minimum	m	2500	4500	4500
Ambient air temperature around the device	Storage		°C	-40...+80	-40...+80	-40...+80
	Operation 0.8... 1.1 Uc		°C	-5...+55	-5...+55	-5...+55
	Permissible for operation at Uc		°C	-10...+75	-10...+75	-10...+75
Degree of protection		Conforming to IEC 60529		IP 00	IP 00	IP 00
Operating position				Any	Any	Any
Cabling	Cable c.s.a.	mm²		70	185	2 x 185
	Key for hex. screws	mm		Allen 4	20	20
	Tightening torque	N.m		14	39	39

Control circuit characteristics

Rated insulation voltage (Ui)	To earth	V	2000	2000	2000
Consumption	Inrush	VA	300	600	1700
	Sealed	VA	30	20	28
Permissible control circuit voltage			0.8...1.1 Uc	0.8...1.1 Uc	0.8...1.1 Uc
Closing time ⁽¹⁾		ms	18...22	24...32	24...32
Opening time ⁽¹⁾		ms	95...115	95...115	95...115

⁽¹⁾ The closing time "C" is measured from the moment the coil supply is switched on to initial contact of the main poles. The opening time "O" is measured from the moment the coil supply is switched off to the moment the main poles separate.

TeSys

TeSys V Vacuum high power contactors

Characteristics

Main pole characteristics					
Contactor type		LC1V160	LC1V320	LC1V610	
Rated insulation voltage (Ui)	V	1500	1500	1500	
Rated impulse withstand voltage (Uimp)	kV	8	8	8	
Conforming to standards		EN 60947-4-1 - IEC 60947-4-1			
Conventional rated thermal current (Ith)	A	160	320	630	
Rated operational current (Ie)	$\theta \leq 40$ °C AC-1	A	160	320	630
	$\theta \leq 55$ °C AC-3	A	160	320	610
	$\theta \leq 55$ °C AC-4	A	130	270	540
Electrical durability in millions of operating cycles (400 V at I max)	AC-1		1.2	1	1
	AC-3		1.6	1.5	1.5
	AC-4		0.18	0.15	0.12
Mechanical durability	In millions of operating cycles		5	2.5	2
Maximum operating rate in operating cycles per hour	Mechanical		1200	1200	1200
	AC-1		900	900	900
	AC-3		900	900	900
	AC-4		450	450	450
Maximum making capacity (I _{ms})	U _e = 1500 V To IEC 60947	A	1900	3800	7300
Maximum breaking capacity (I _{ms})	U _e = 1500 V To IEC 60947	A	1600	3200	6100
Maximum permissible current	For 1 s	A	2400	4500	9000
	For 2 s	A	2000	3750	7580
	For 10 s	A	1600	3200	6100
	For 30 s	A	960	1920	3600
Short-circuit protection at I _e in cat. AC-3 max.	aM fuse	A	160	400	630

Auxiliary contact characteristics				
Rated insulation voltage (Ui)	V	690		
Conventional rated thermal current (Ith)	A	10		
Rated operational current (Ie)	AC-15, 230 V	A	0.78	
	AC-15, 400 V	A	0.45	
	AC-15, 500 V	A	0.35	
	DC-13, 24 V	A	1.1	
	DC-13, 110 V	A	0.24	
	DC-13, 220 V	A	0.12	
Cabling	Cable c.s.a.	mm ²	2.5	
Short-circuit protection	gG fuse	A	10	
Operating time ⁽¹⁾ (at 100 % of U _c)	"C"	ms	±5	
	"O"	ms	±5	

(1) Operating time in relation to the main contacts.

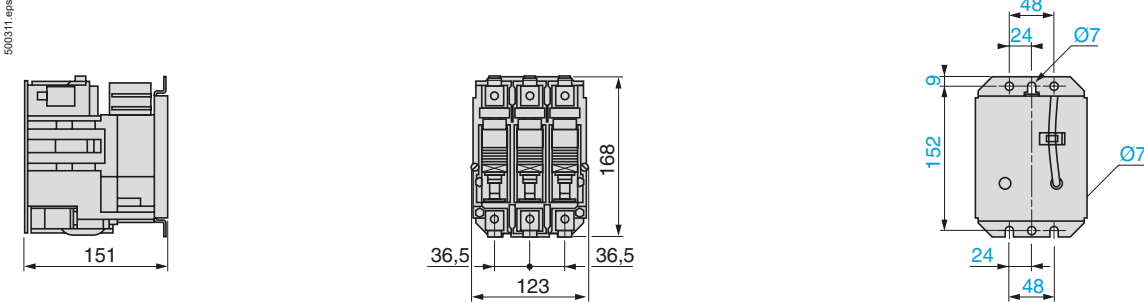
TeSys

TeSys V Vacuum high power contactors

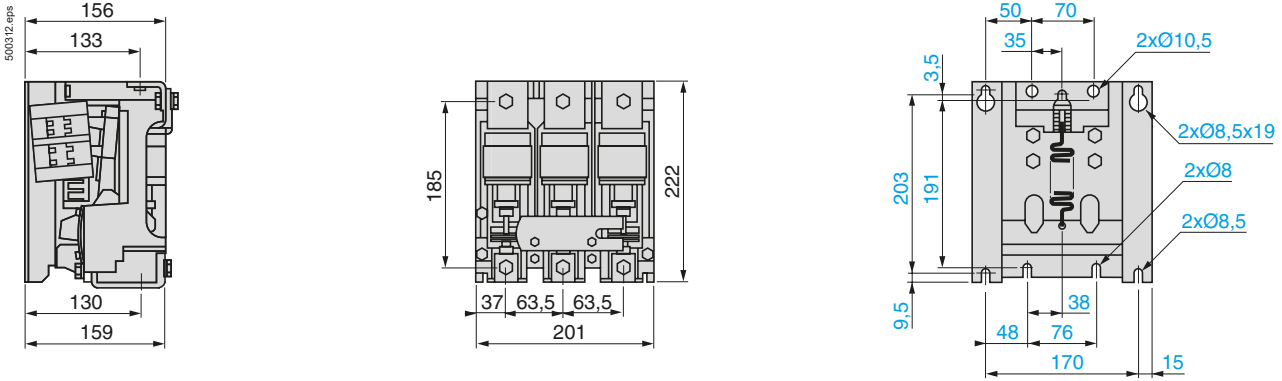
Dimensions, mounting, schemes

Dimensions, mounting

LC1V160

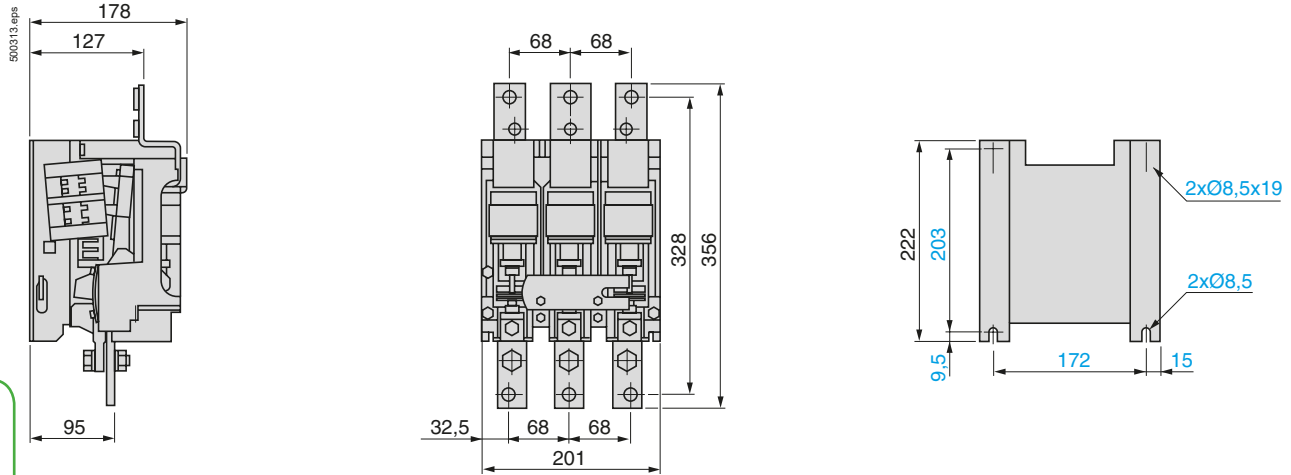


LC1V320



Ref.

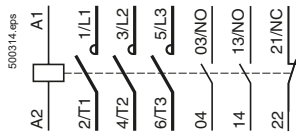
LC1V610



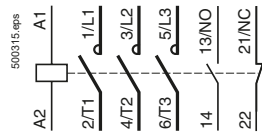
High power contactors

Schemes

LC1V160

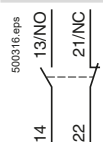


LC1V320, V610

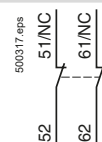


Auxiliary contact blocks

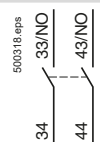
LA1VN11 1N/O & 1N/C



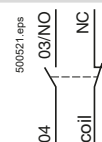
LA1VN02 2 N/C



LA1VN20 2 N/O



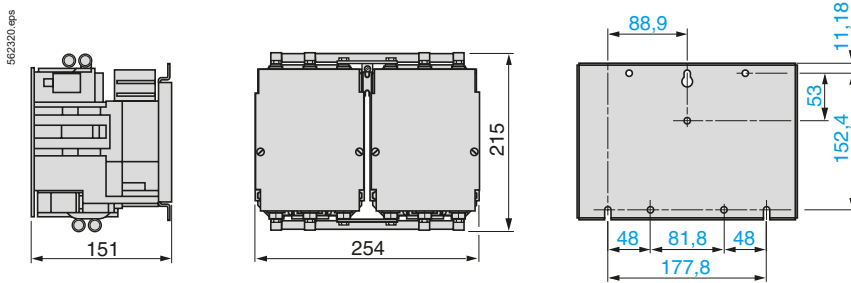
LA1VN11X 1 N/O



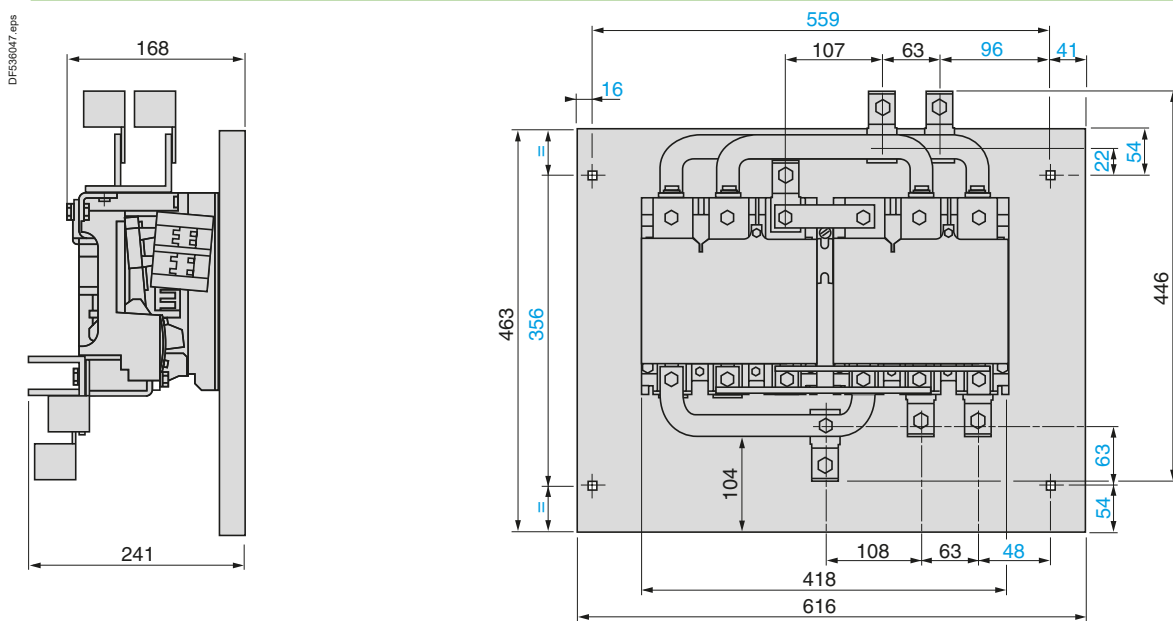
References:
page B9/4

Dimensions, mounting

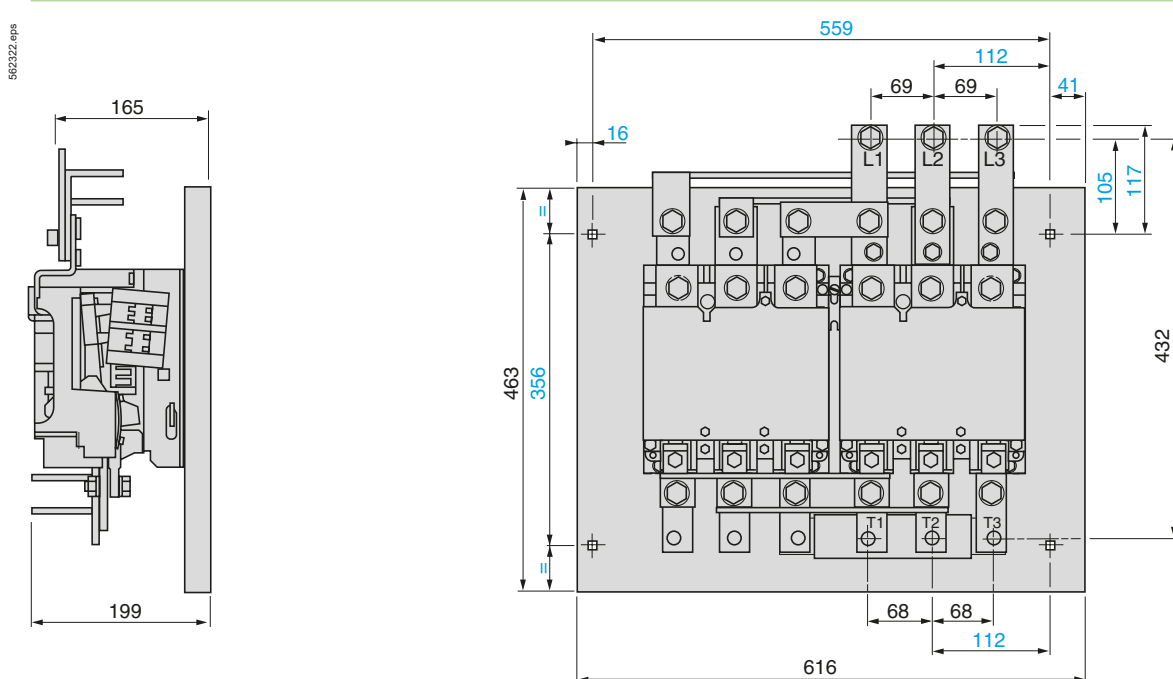
LA9V974 + 2 x LC1V160



LC2V320



LC2V610



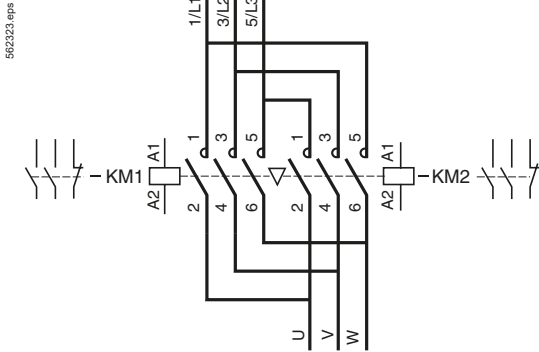
TeSys

TeSys V Vacuum high power reversing contactors

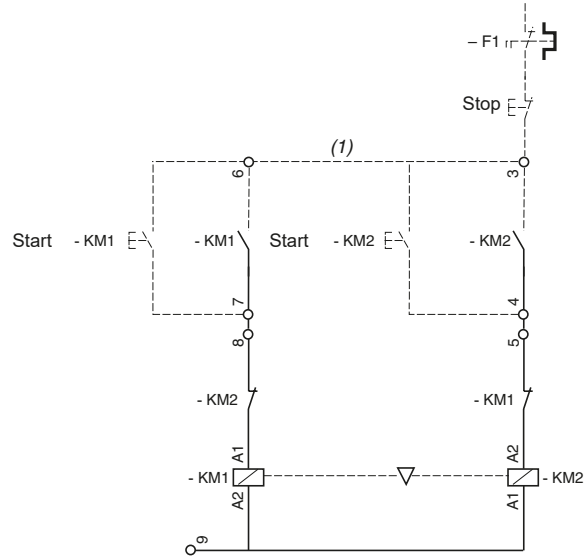
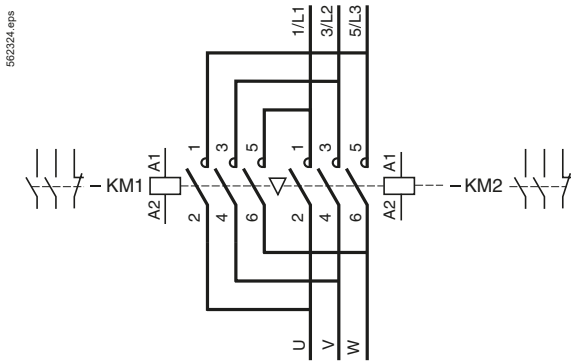
Schemes

Schemes

LA9V974 + 2 x LC1V160



LC2V320



(1) Dotted line indicates wiring to be installed by the customer.



High power contactors

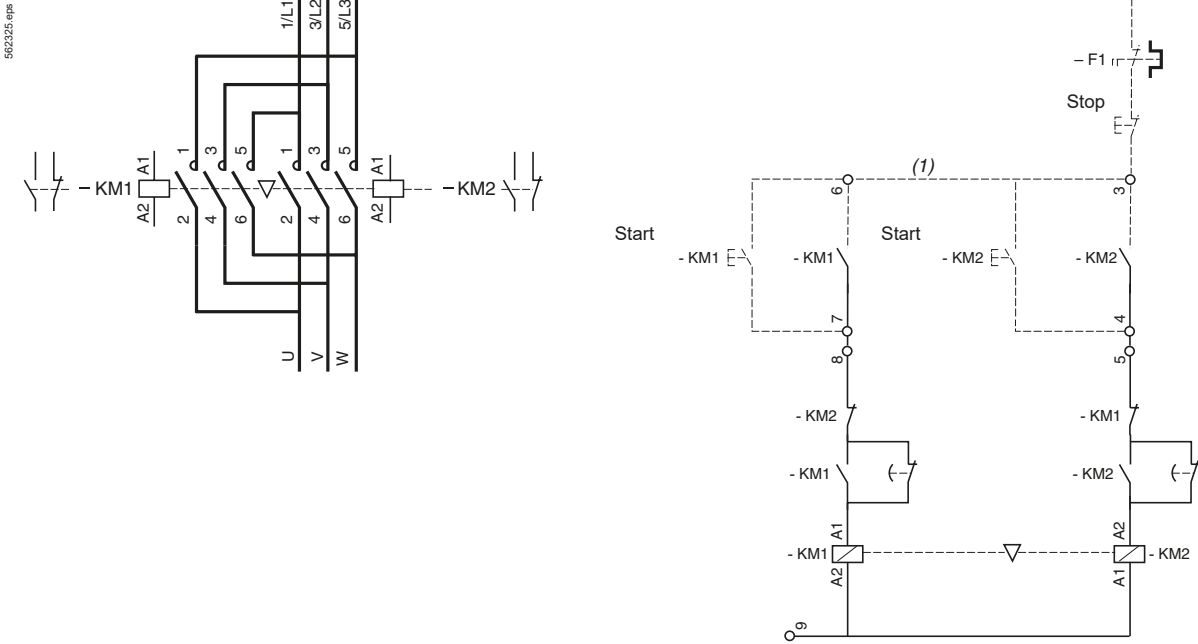
TeSys

TeSys V Vacuum high power reversing contactors

Schemes

Schemes

LC2V610



(1) Dotted line indicates wiring to be installed by the customer.

Ref.



High power contactors



LC1FG150



LC1FG265

Ref.



High power contactors

Shockproof contactor specificity

In an environment subject to severe mechanical shocks, unwanted closing of a contactor's poles and the serious consequences of this, is not permissible.

Shockproof contactors **LC1FG150** to **FG630** are equipped with an auxiliary electromechanical device which ensures that the contactor is mechanically locked in the "open" position when it's main electromagnet is not energised.

If the contactor is subjected to mechanical impact, from back to front or from front to back, accidental closing of the poles is then impossible.

In addition, accidental opening of the poles (when the contactor is in the "on" position), is virtually impossible due to the significant pull-in force characteristic of these contactors.

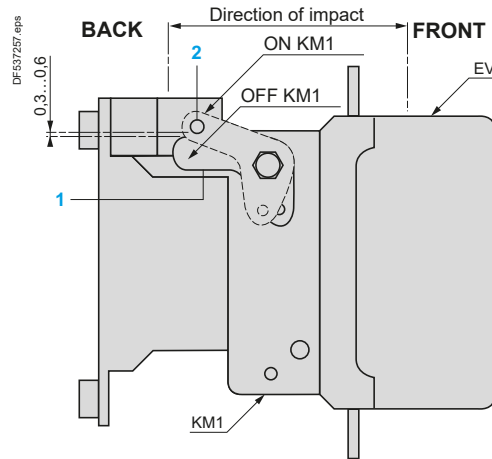
Applications

- **Marine:** on-board equipment, windlasses, capstans, winches, etc...
- **Military equipment:** land, sea, launching silos.
- **Heavy mechanical handling systems:** travelling cranes, cranes, gantries.
- **Conveying and handling:** lifts, hoists, conveyors.
- **Equipment for power stations.**
- **Distribution boards.**

Description of shockproof device

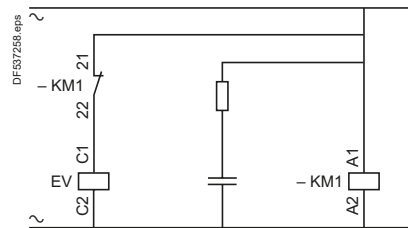
Shockproof contactors **LC1FG●●●** are equipped with:

- a lever **1** that is rotated by the core of the contactor's electromagnet.
- an auxiliary electromagnet (EV) for the locking function.
- an RC circuit (Resistor-Capacitor) to limit overvoltage.



Operation

- In the 'off' position (contactor open and not energised) the core **2** of the electromagnet (EV) locks the lever **1** and therefore the contactor.
 - The coils (KM1) and (EV) are energised simultaneously, the core **2** releases the lever **1** and allows the contactor to close.
 - De-energisation of the locking electromagnet (EV) is achieved by an auxiliary contact within the contactor.
- The core **2** rests freely in lever **1**.
- On de-energisation of coil KM1, the moving contact drops out. Core **2**, under spring pressure, once again locks lever **1**.



TeSys

TeSys FG Shockproof high power 3-pole contactors

Characteristics - Durability (AC)

Use in category AC-3 ($U_e \leq 440$ V)

Operational current and power ($\theta \leq 55$ °C)

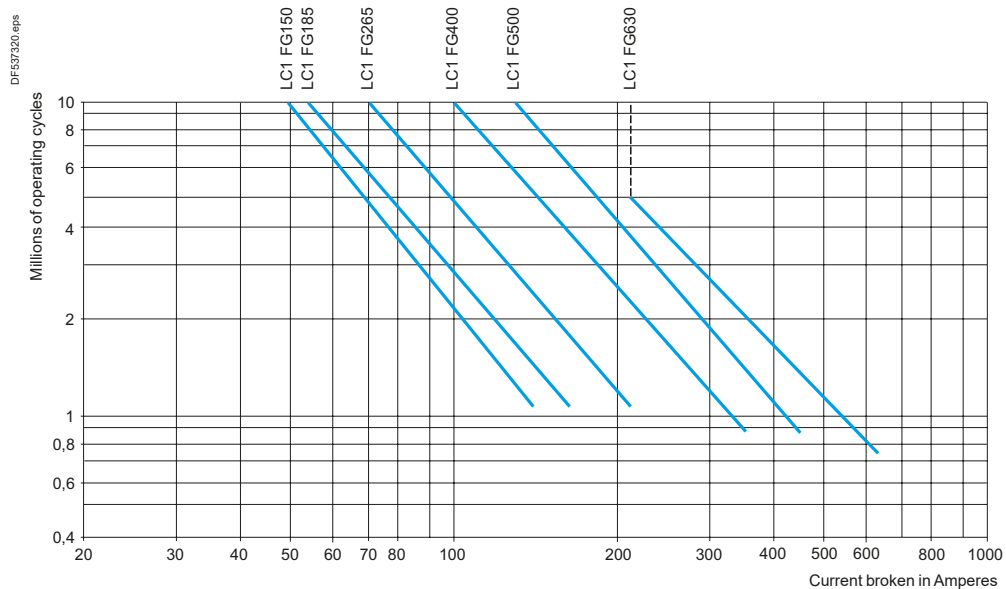
Contactors			LC1FG150	LC1FG185	LC1FG265	LC1FG400	LC1FG500	LC1FG630
Operational current	A		150	185	265	400	500	630
Operational power Standard power ratings of motors)	220/230 V	kW	40	55	75	110	147	200
		hp	54	75	100	150	200	270
	380/400 V	kW	75	90	132	200	250	335
		hp	100	185	180	270	340	450
	415 V	kW	80	100	140	220	280	375
		hp	110	136	180	300	380	500
	440 V	kW	80	100	140	250	295	400
		hp	110	136	190	340	400	545
	500 V	kW	90	110	160	257	355	400
		hp	125	150	220	350	480	545
	660/690 V	kW	100	110	160	280	335	450
		hp	136	150	220	380	450	600
	1000 V	kW	65	100	147	185	335	450
		hp	85	136	200	250	450	610

Maximum operating rate (operating cycles/hour) ⁽¹⁾

On-load factor	Operational power	LC1FG150	LC1FG185	LC1FG265	LC1FG400	LC1FG500	LC1FG630
≤ 85 %	P	750	750	750	500	500	500
≤ 85 %	0.5 P	2000	2000	2000	1200	1200	1200
≤ 25 %	P	1200	1200	1200	1200	1200	1200

(1) Depending on the operational power and the on-load factor ($\theta \leq 55$ °C).

Electrical durability in utilisation category AC-3 ($U_e \leq 440$ V)



Control of 3-phase asynchronous squirrel cage motors with breaking whilst running.
The current broken (I_e) in category AC-3 is equal to the rated operational current of the motor.

Example:

Asynchronous motor with $P = 55$ kW - $U_e = 380$ V - $I_e = 105$ A

4 million operating cycles required.

The above selection curves show the contactor rating needed: **LC1FG265**.



TeSys

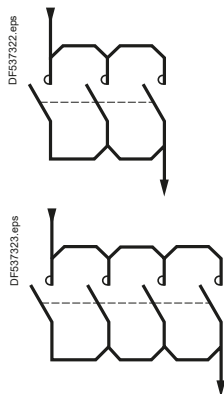
TeSys FG Shockproof high power 3-pole contactors

Characteristics - Durability (AC)

Use in category AC-1 ($U_e \leq 440$ V)											
Contactors				LC1FG150	LC1FG185	LC1FG265	LC1FG400	LC1FG500	LC1FG630		
Connection	Cable	C.s.a.	mm ²	120	150	240	–	–	–		
	Bar	Number		–	–	–	2	2	2		
		C.s.a.	mm	–	–	–	30 x 5	40 x 5	60 x 5		
Maximum operating rate in operating cycles/hour				600	600	600	600	600	600		
Operational current AC-1				≤ 40 °C	A	250	270	350	500	700	1000
				≤ 55 °C	A	220	240	300	430	580	850
				≤ 70 °C ⁽¹⁾	A	170	180	250	340	500	700

(1) Only for operation with coil supplied at U_c .

Increase in operational current by parallel connection of poles

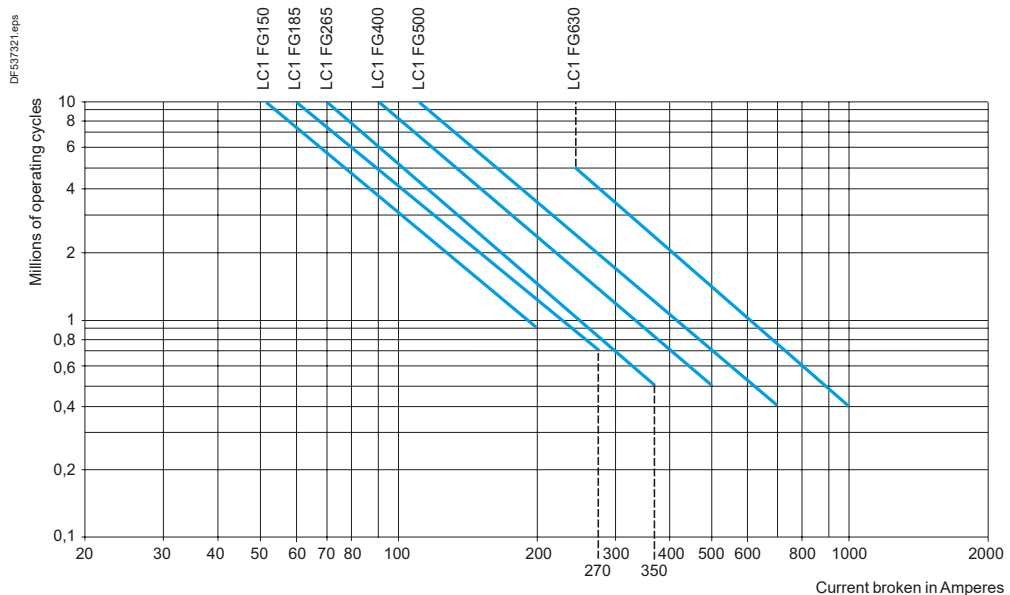


Apply the following multiplying factors to the current values given above.
 The factors take into account the often unbalanced current distribution between the 2 poles:

- 2 poles in parallel: $K = 1.6$
- 3 poles in parallel: $K = 2.25$
- 4 poles in parallel: $K = 2.8$.

Recommended connection scheme to equalise the currents in each pole (see opposite).

Electrical durability in utilisation category AC-1 ($U_e \leq 440$ V)



Example:
 Control of resistive circuits ($\cos \varphi \geq 0.95$).
 The current broken (I_c) in category AC-1 is equal to the current (I_e) normally drawn by the load.
 $U_e = 220$ V - $I_c = I_e = 300$ A - $\theta = 40$ °C.
 1 million operating cycles required.
 The above selection curves show the contactor rating needed: **LC1FG400**.

TeSys

TeSys FG Shockproof high power 3-pole contactors

Characteristics - Durability (AC)

Thermal limits in utilisation categories AC-2/AC-4							
Contactors		LC1 FG150	LC1 FG185	LC1 FG265	LC1 FG400	LC1 FG500	LC1 FG630
Thermal limit zone	Operating cycles/hour ⁽¹⁾ and on-load factor	Maximum current broken according to the duty requirements (thermal limit, ambient temperature ≤ 55 °C)					
A	From 150 and 15 % to 300 and 10 %	310	380	560	780	1100	1400
B	From 150 and 20 % to 600 and 10 %	280	350	500	700	950	1250
C	From 150 and 30 % to 1200 and 10 %	240	300	400	600	750	950
D	From 150 and 55 % to 2400 and 10 %	190	240	320	450	600	720
E	From 150 and 85 % to 3600 and 10 %	145	170	230	350	500	660

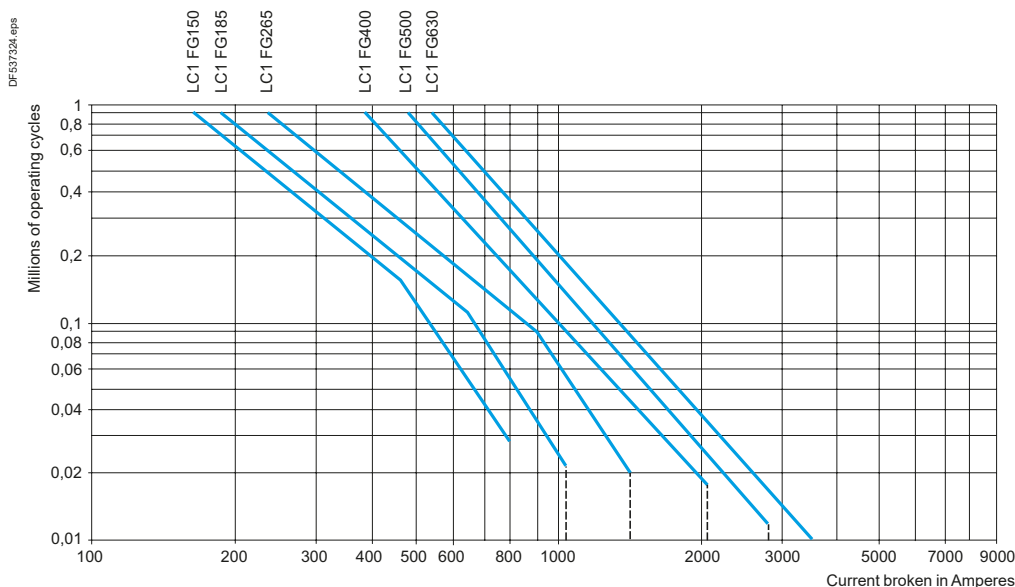
(1) Do not exceed the maximum limit for the mechanical operating cycles.

Counter current braking (plugging)

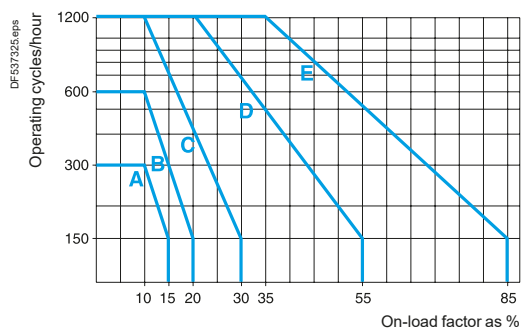
The current varies from the maximum plug-braking current to the rated motor current. The current made must be compatible with the making and breaking capacities of the contactor.

In most cases, breaking occurs at a current value close to the locked rotor current and contactor selection can therefore be made using the criteria for utilisation categories AC-2 and AC-4.

Electrical durability in utilisation categories AC-2/AC-4 (U_e ≤ 440 V)



Example: Contactor selection



For an on-load factor of 10 % at 400 operating cycles per hour, the curve on the left indicates zone B. If the current broken is 600 A, the above table leads to selection of an **LC1FG400** contactor. Referring to the electrical durability curves, it can be seen that the contactor will be able to perform 350 000 operating cycles. Where a higher value of electrical durability is required, 1 million operating cycles for example, an **LC1FG630** contactor would be recommended.

Ref.



High power contactors

Switching 3-phase capacitors

Capacitors, together with the circuits to which they are connected, form oscillatory circuits which can, at the moment of switch-on, give rise to high transient currents (> 180 I_n) at high frequencies (1 to 15 kHz).

The contactors are used for direct switching. The values of peak current at switch-on must not exceed the values indicated below.

An inductor or an early break resistor may be inserted in each of the three phases supplying the capacitors to reduce the peak current, if necessary. This must be done when switching multiple step capacitor banks.

Inductance values are determined according to the selected operating temperature: please refer to our "Motor starter solutions - Control and protection components" catalogue.

In addition, in accordance with standards IEC 60070, NF C 54 100, VDE 0560, the switching contactor must be able to withstand a continuous current of 1.43 times the rated current of the capacitor bank step being switched. The rated operational powers given in table the below take this overload into account.

Short-circuit protection is normally provided by g1 fuses rated at 1.3 to 1.6 I_n.

Maximum operational power of contactors

Maximum operating rate: 120 operating cycles/hour.

Electrical durability at maximum load: 100 000 operations.

With choke inductors connected, where necessary.

Operational power at 50/60 Hz						Maximum peak current	Contactor to be used
θ ≤ 40 °C			θ ≤ 55 °C				
220 V	400 V	600 V	220 V	400 V	600 V	A	
240 V	440 V	660 V	240 V	440 V	660 V		
kvar	kvar	kvar	kvar	kvar	kvar		
60	100	135	40	85	90	3200	LC1FG150
70	125	160	50	100	100	3500	LC1FG185
90	160	225	75	125	125	5000	LC1FG265
125	220	300	100	160	200	8000	LC1FG400
180	300	400	125	220	300	10 000	LC1FG500
250	400	600	190	350	500	12 000	LC1FG630

Switching the primaries of 3-phase transformers (LV/LV)

When a transformer is switched on, there is generally an initial current surge which can reach 20 to 40 times the rated current for the power ratings shown below.

This current reaches its peak value almost instantaneously and then decreases in a largely exponential manner, quickly dropping back down to its steady state value.

Contactor selection

Operating rate less than 120 operating cycles/hour.

Maximum operational voltages: 690/1000 V 50/60 Hz ⁽²⁾.

The value of the peak magnetising current must be lower than the values indicated below.

Maximum ambient temperature: 55 °C.

Contactor		LC1FG150	LC1FG185	LC1FG265	LC1FG400	LC1FG500	LC1FG630	
Maximum permissible current peak at switch-on	A	1700	2800	3500	5500	6800	9000	
Maximum operational power ⁽¹⁾	220 V	kVA	25	40	50	75	100	140
	380 V	kVA	50	75	90	130	170	225
	415/440 V	kVA	55	80	100	140	190	250
	500 V	kVA	65	95	110	170	225	280
	660 V	kVA	80	120	140	200	270	315
	1000 V	kVA	100	150	200	250	375	470

⁽¹⁾ Maximum operational power corresponding to a current peak at switch-on of 30 I_n.

⁽²⁾ Refer to page B9/80 and B9/81 for details on operational voltage.

Use in category DC-1 (resistive loads; time constant L/R ≤ 1 ms)

Rated operational current I _e							
Operational voltage (U _e)	Number of poles to be wired in series	Contactors					
		LC1 FG150	LC1 FG185	LC1 FG265	LC1 FG400	LC1 FG500	LC1 FG630
V		A	A	A	A	A	A
24	1	160	220	300	400	600	850
	2	160	220	300	400	600	850
	3	160	220	300	400	600	850
	4	160	220	300	400	600	850
48/75	1	160	220	300	400	600	850
	2	160	220	300	400	600	850
	3	160	220	300	400	600	850
	4	160	220	300	400	600	850
125	1	–	–	–	–	–	–
	2	130	170	300	400	550	850
	3	130	170	300	400	600	850
	4	130	170	300	400	600	850
225	1	–	–	–	–	–	–
	2	100	150	250	350	450	700
	3	130	170	300	400	600	850
	4	130	170	300	400	600	850
300	3	100	150	250	350	450	700
	4	130	170	300	400	600	850
460	4	100	150	250	350	450	700

Use in category DC-2 to DC-5 (inductive loads; time constant L/R ≤ 15 ms)

Rated operational current I _e							
Operational voltage (U _e)	Number of poles to be wired in series	Contactors					
		LC1 FG150	LC1 FG185	LC1 FG265	LC1 FG400	LC1 FG500	LC1 FG630
V		A	A	A	A	A	A
24	1	140	180	280	350	550	850
	2	140	180	280	350	550	850
	3	140	180	280	350	550	850
	4	140	180	280	350	550	850
48/75	1	140	180	280	350	550	850
	2	140	180	280	350	550	850
	3	140	180	280	350	550	850
	4	140	180	280	350	550	850
125	1	–	–	–	–	–	–
	2	100	140	250	350	550	850
	3	120	160	280	350	550	850
	4	120	160	280	350	550	850
225	1	–	–	–	–	–	–
	2	80	100	200	280	450	700
	3	100	140	250	350	550	850
	4	120	160	280	350	550	850
300	3	80	100	200	280	450	700
	4	120	160	280	350	550	850
460	4	80	100	200	280	450	700

Ref.



High power contactors

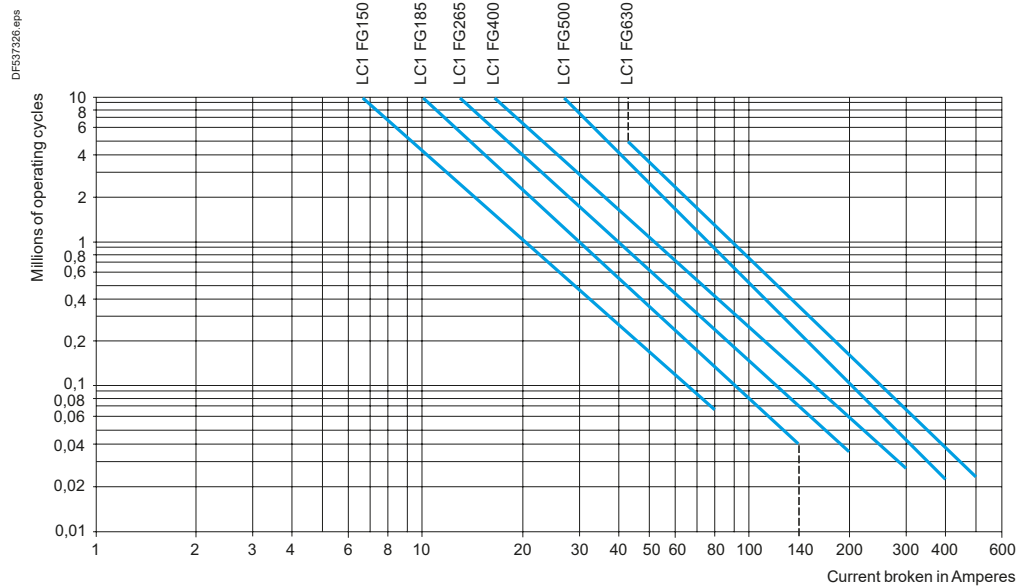
TeSys

TeSys FG Shockproof high power 3-pole contactors

Characteristics - Durability (DC)

Electrical durability

Utilisation categories DC-1 to DC-5



Determining the electrical durability

The electrical durability can be read directly from the curve above, having previously calculated the power broken P_c . The following table gives, for each utilisation category, the value of P_c according to the operational current I_e and the operational voltage U_e .

Utilisation categories	P_c (Power broken)
DC-1 Non-inductive loads	$P_c = U_e \times I_e$
DC-2 Shunt motors, breaking whilst running	$P_c = 0.1 U_e \times I_e$
DC-3 Shunt motors, reversing	$P_c = U_e \times 2.5 I_e$
DC-4 Series wound motors, breaking whilst running	$P_c = 0.3 U_e \times I_e$
DC-5 Series wound motors, reversing	$P_c = U_e \times 2.5 I_e$
Counter current braking (plugging)	$P_c = 1.5 U_e \times 1.5 I_e$

Example:

Series wound motor, breaking whilst motor running, category DC-4.

$P = 50 \text{ kW}$, $U_e = 200 \text{ V}$, $I_e = 250 \text{ A}$.

Select contactor **LC1FG265** with 3 poles in series.

The power broken is: $P_c = 0.3 U_e \times I_e = 0.3 \times 200 \times 250 = 15 \text{ kW}$.

The electrical durability read from the curve is 8 million operating cycles.

Maximum operating rate

The following operating rate used at I_e must not be exceeded: 120 operating cycles/hour.

Use of poles in parallel

The electrical durability is equal to the number of operating cycles performed by a pole, multiplied by the number of poles in parallel, multiplied by a coefficient of 0.70.

TeSys

TeSys FG Shockproof high power 3-pole contactors

Characteristics

Environment			LC1FG150	LC1FG185
Rated insulation voltage (Ui)	Conforming to IEC 60947-4-1	V	1000	
Rated impulse withstand voltage (Uimp)	Coil not connected to the power circuit	kV	8	
Conforming to standards			IEC/EN 60947-4-1	
Product certifications			N.A.T.O.	
Degree of protection	Conforming to IEC 60529		IP 20 front face with shrouds LA9F	
Ambient air temperature around the device	Storage	°C	-60...+80	
	Operation	°C	-5...+55	
	Permissible at Uc ⁽¹⁾	°C	-40...+70	
Maximum operating altitude	Without derating	m	3000	
Operating positions	Without derating			
	Not to be used			
Shock resistance ⁽²⁾			12 g, 50 ms on the three axes: X, Y, Z	
			15 g, 11 ms on the three axes: X, Y, Z	

⁽¹⁾ In these conditions, it is recommended that coils LX9F be used for contactor sizes FG150 to FG265.

⁽²⁾ In the least favourable direction, without change of contact state (coil at Uc).

⁽³⁾ Horizontal fixing:

- the operational current AC-1 is equivalent to 80 % of the value indicated in the catalogue
- breaking and making capacities not guaranteed
- mechanical and electrical durabilities not guaranteed.

Derating of pull-in and drop-out voltage

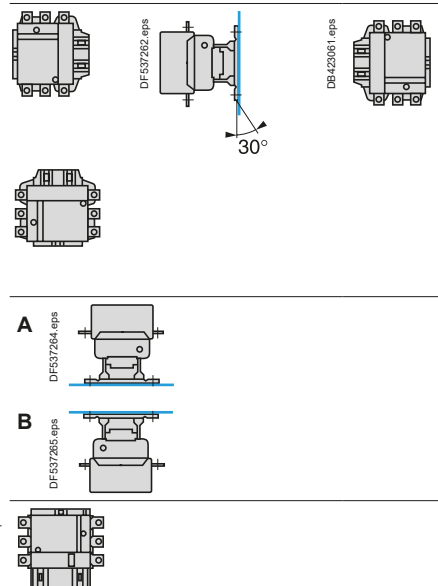
Contactors LC1		FG150	FG185	FG265	FG400	FG500	FG630
Fixing A	Pull-in	75 %	75 %	75 %	80 %	80 %	80 %
	Drop-out	105 %	105 %	105 %	110 %	110 %	110 %
Fixing B	Pull-in	115 %	115 %	115 %	120 %	120 %	120 %
	Drop-out	90 %	90 %	90 %	95 %	95 %	95 %



TeSys

TeSys FG Shockproof high power 3-pole contactors

Characteristics

LC1FG265	LC1FG400	LC1FG500	LC1FG630
1000			
8			
IEC/EN 60947-4-1			
N.A.T.O.			
IP 20 front face with shrouds LA9F			
-60...+80			
-5...+55			
-40...+70			
3000			
			
12 g, 50 ms on the three axes: X, Y, Z			
15 g, 11 ms on the three axes: X, Y, Z			

High power contactors

Pole characteristics				
Contactor type			LC1FG150	LC1FG185
Number of poles			3	3
Rated operational current (Ie) (Ue ≤ 440 V)	In AC-3, θ ≤ 70 °C	A	150/150	185/180
	In AC-1, θ ≤ 55 °C	A	220/170	240/180
Rated operational voltage (Ue)	Up to	V	690	690
Frequency limits	Of the operational current ⁽¹⁾	Hz	25 to 200	25 to 200
Conventional thermal current	θ ≤ 40	°C	250	275
Rated making capacity	I rms conforming to IEC 60947-4-1	A	Making current: 10 x I in AC-3	
Rated breaking capacity	I rms conforming to IEC 60947-4-1	A	Making and breaking current: 8 x I in cat. AC-3	
Permissible short time rating No current flowing for preceding 60 minutes with θ ≤ 40 °C	For 1.5 or 10 s	A	1200	1500
	For 30 s	A	700	920
	For 1 mn	A	600	740
	For 3 mn	A	450	500
	For 10 mn	A	350	400
Fuse protection against short-circuits (U ≤ 440 V)	Motor circuit (type aM)	A	160	200
	With thermal overload relay (type gG)	A	200	315
	gG fuses	A	250	315
Average impedance per pole	At Ith and 50 Hz	mΩ	0.35	0.33
Power dissipation per pole for the above operational currents	AC-3	W	8	12
	AC-1	W	22	25
Cabling Minimum c.s.a.	Bar	No. of bars	2	2
		Bar	mm	25 x 3
	Cable with lug	mm²	120	150
	Cable with connector	mm²	120	150
	Bolt diameter	mm	Ø8	Ø8
	Tightening torque	Power circuit connections	N.m	18

(1) Sine wave without interference. Above these values, please consult your Regional Sales Office.

(2) Ue ≤ 690 V in AC-3; Ue ≤ 1000 V in AC-1.

Ref.



High power
contactors

LC1FG265	LC1FG400	LC1FG500	LC1FG630
3	3	3	3
265/250	400/340	500/500	630/630
300/250	430/340	580/500	850/700
1000 ⁽²⁾	1000	1000 ⁽²⁾	1000
25 to 200	25 to 200	25 to 200	25 to 200
350	500	700	1000
Making current: 10 x I in AC-3			
Making and breaking current: 8 x I in AC-3			
2200	3600	4200	5050
1230	2400	3200	4400
950	1700	2400	3400
620	1200	1500	2200
480	1000	1200	1600
315	400	500	630
500	630	800	800
400	500	800	1000
0.3	0.26	0.18	0.12
21	42	45	48
37	65	88	120
2	2	2	2
32 x 4	30 x 5	40 x 5	60 x 5
240	2 x 150	2 x 240	–
240	–	–	–
Ø10	Ø10	Ø10	Ø12
35	35	35	58

a.c. control circuit characteristics with LX1/LX9 coil					
Contactor type				LC1FG150	LC1FG185
Rated control circuit voltage (U _c)	50 or 60 Hz		V	48...440	
Control voltage limits (θ ≤ 55 °C)	40...400 Hz coils	Operation		0.85...1.1 U _c	
		Drop-out		0.20...0.55 U _c	
Average consumption at 20 °C and at U _c	~ 50 Hz	Inrush	40...400 Hz coil	VA	690...855
				Cos φ	0.9
	Sealed	40...400 Hz coil	VA	6.6...8.1	
			Cos φ	0.9	
Heat dissipation			W	5.9...7.2	8...9.8
Operating time ⁽¹⁾	Closing "C"		ms	35	35
		Opening "O"	ms	130	130
Mechanical durability at U _c	In millions of operating cycles			10	10
Maximum operating rate at ambient temperature ≤ 55 °C	In operating cycles per hour			2400	2400
Cabling Min/max c.s.a.	Flexible cable without cable end	1 or 2 conductors	mm ²	1/4	1/4
		1 conductor	mm ²	1/4	1/4
	Flexible cable with cable end	2 conductors	mm ²	1/2.5	1/2.5
		1 or 2 conductors	mm ²	1/4	1/4
Tightening torque			N.m	1.2	1.2

Ref.



Characteristics of the locking electromagnet (shockproof device)					
Contactor type				LC1FG150	LC1FG185
Control circuit voltage	40...400 Hz		V	48...440	48...440
Inrush consumption			VA	100	100
Maximum energisation time at U _c			ms	20	20
Maximum operating rate	In operating cycles per hour			2400	2400
Mechanical durability at U _c	In millions of operating cycles			1 x 10 ⁶	1 x 10 ⁶

⁽¹⁾ The closing time "C" is measured from the moment the coil supply is switched on to initial contact of the main poles.
The opening time "O" is measured from the moment the coil supply is switched off to the moment the main poles separate.

High power contactors

LC1FG265	LC1FG400	LC1FG500	LC1FG630
48...440	110...440	110...440	110...440
0.85...1.1 Uc	0.85...1.1 Uc	0.85...1.1 Uc	0.85...1.1 Uc
0.35...0.55 Uc	0.3...0.5 Uc	0.3...0.5 Uc	0.25...0.5 Uc
650	1075	1100	1650
0.9	0.9	0.9	0.9
10	15	18	22
0.9	0.9	0.9	0.9
8	14	18	20
40...65	40...75	40...75	40...80
100...170	100...170	100...170	100...200
10	10	10	10
2400	2400	2400	1200
1/4	1/4	1/4	1/4
1/4	1/4	1/4	1/4
1/2.5	1/2.5	1/2.5	1/2.5
1/4	1/4	1/4	1/4
1.2	1.2	1.2	1.2

LC1FG265	LC1FG400	LC1FG500	LC1FG630
48...440	110...440	110...440	110...440
100	100	100	100
20	20	20	20
2400	2400	2400	1200
1 x 10 ⁶	1 x 10 ⁶	1 x 10 ⁶	1 x 10 ⁶

TeSys

TeSys Contact blocks for TeSys FG contactors

Characteristics

Environment					
Contact block type			LADN	LADT and LADS	LADR
Conforming to standards			IEC 60947-5-1, EN 60947-5-1		
Product certifications			UL, CSA		
Degree of protection	Conforming to IEC 60529		Protection against direct finger contact IP2X		
Ambient air temperature around the device	Storage	°C	-60...+80		
	Operation	°C	-5...+60		
	Permissible for operation at Uc	°C	-40...+70		
Maximum operating altitude	Without derating	m	3000		
Cabling	Phillips n° 2 and Ø6 mm. Flexible or solid cable with or without cable end	mm ²	Min: 1 x 1; max: 2 x 2.5		

Ref.



High power contactors

TeSys

TeSys Contact blocks for TeSys FG contactors

Characteristics

Instantaneous and time delay contact characteristics										
Contact block type		LADN	LADT and LADS				LADR			
Number of contacts			1 or 4		2		2			
Rated operational voltage Up to (U _e)		V	660							
Rated insulation voltage (U _i)		Conforming to IEC 60947-5-1	690							
		Conforming to UL, CSA	600							
Conventional thermal current (I _{th})		A	10							
Frequency of the operational current		Hz	25...400							
Minimum switching capacity		U min	17							
		I min	5							
Short-circuit protection		A	10							
Rated making capacity		A	~ 140; --- 250							
Short-time rating		Permissible for 1 s	100							
		500 ms	120							
		100 ms	140							
Insulation resistance		MΩ	> 10							
Non-overlap time		ms	1.5 (on energisation and on de-energisation)							
Time delay (LADT, R and S contact blocks) Accuracy only valid for setting range indicated on the front face		Ambient air temperature for operation	°C		-40...+70		-40...+70			
		Repeat accuracy			±2 %		±2 %			
		Drift up to 0.5 million operating cycles			+15 %		+15 %			
		Drift depending on ambient air temperature			0.25 % per °C		0.25 % per °C			
Mechanical durability			30		5		5			
Rated operational power of contacts Conforming to IEC 60947-5-1		V	24	48	110/127	220/230	380/400	440	600	
		1 million operating cycles	VA	150	300	400	480	500	500	500
		3 million operating cycles	VA	80	170	250	290	320	320	320
		10 million operating cycles	VA	30	65	90	120	130	130	130
		Occasional making capacity	VA	1200	2600	7000	13 000	15 000	13 000	9000

Ref.



High power contactors

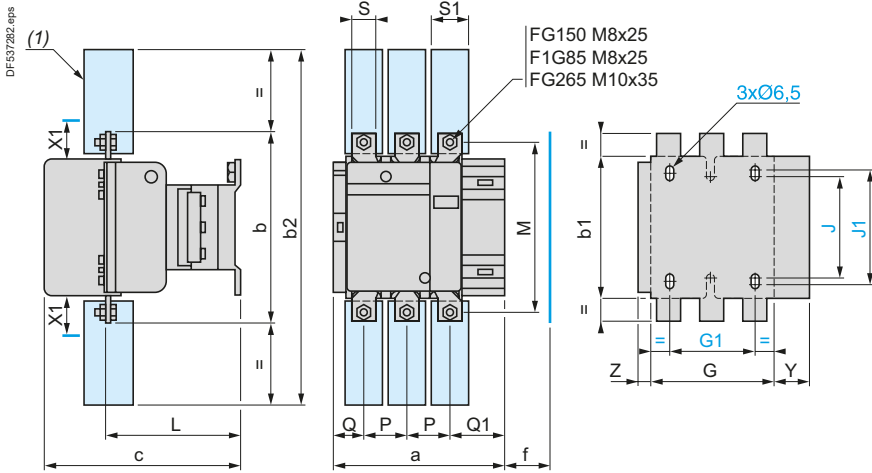
TeSys

TeSys FG Shockproof high power 3-pole contactors

Dimensions

Dimensions

LC1FG150, FG185 and FG265



X1 (mm) = Minimum electrical clearance according to operating voltage and breaking capacity.

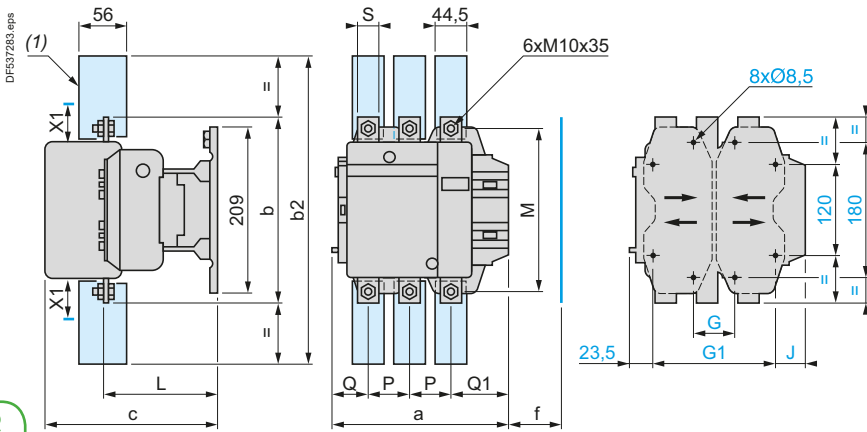
LC1	200...500 V	600...1000 V
FG150	10	15
FG185	10	15
FG265	10	15

(1) Power terminal protection shroud (see page B9/14).

LC1	a	b	b1	b2	c	f	G	G1	J	J1	L	M	P	Q	Q1	S	S1	Y	Z
FG150	181	170	137	301	180	131	106	80	106	120	116	150	40	26	57.5	20	34	44	13.5
FG185	183.5	174	137	305	190	130	111	80	106	120	122.5	154	40	29	59.5	20	34	44	13.5
FG265	217.5	203	145	375	222	147	142	96	106	120	150	178	48	39	66.5	25	44.5	38	21.5

f = minimum distance required for coil removal.

LC1FG400 and FG500



X1 (mm) = Minimum electrical clearance according to operating voltage and breaking capacity.

LC1	200...500 V	600...1000 V
FG400	15	20
FG500	15	20

(1) Power terminal protection shroud (see page B9/14).

LC1	a	b	b2	c	f	G	G supplied	G min.	G max.	G1 supplied	G1 min.	G1 max.	J	L	M	P	Q	Q1	S
FG400	237	206	375	234	146	80	66	102	223	156	192	19.5	160	181	48	75	74	25	
FG500	257	238	400	247	150	80	66	120	223	156	210	39.5	181	208	55	78	77	30	

f = minimum distance required for coil removal.

Ref.



High power contactors

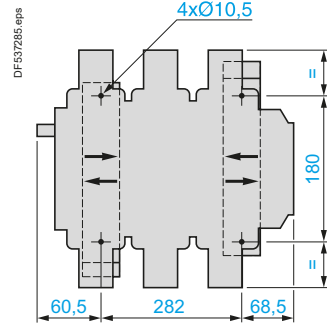
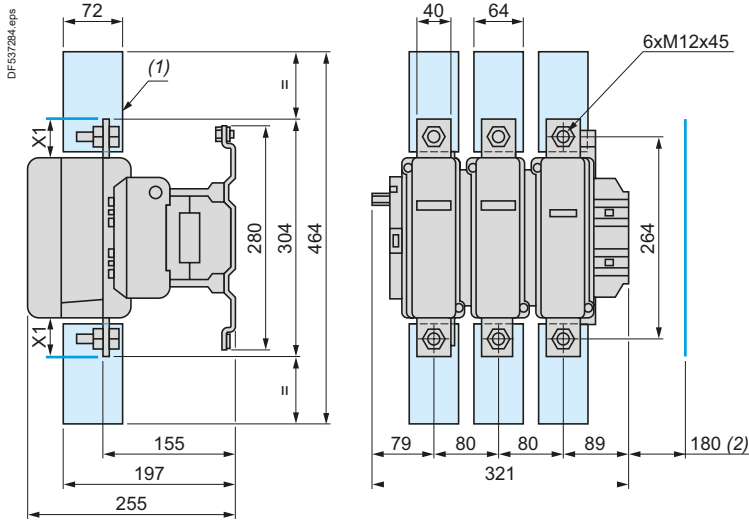
TeSys

TeSys FG Shockproof high power 3-pole contactors

Dimensions and schemes

Dimensions

LC1FG630



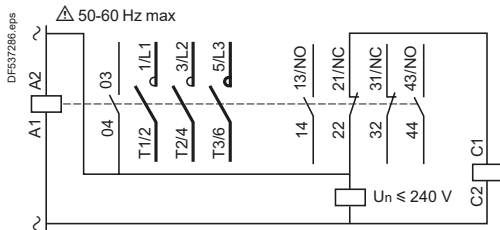
X1 (mm) = Minimum electrical clearance according to operating voltage and breaking capacity.

	200...500 V	690...1000 V
LC1		
FG630	20	30

- (1) Power terminal protection shroud (see page B9/14).
- (2) Minimum distance required for coil removal.

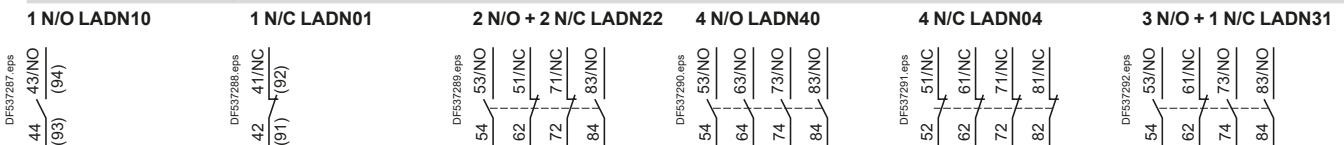
Schemes

Contactors LC1-FG150 to FG630

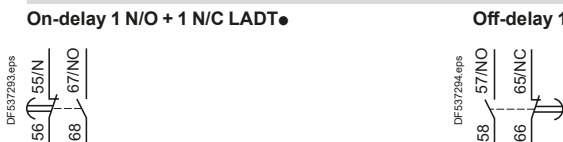


Add-on blocks

Instantaneous auxiliary contacts

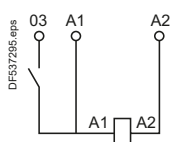


Time delay auxiliary contacts



Coils ~

LX1FH, FJ, FK and FL



PB 106370.eps



CR1F500

Ref.



High power
contactors

Magnetic latching contactors

Magnetic latching contactors of both block and bar mounted types are fitted with a special electromagnet which enables them to remain in the "On" position when the coil is no longer energised.

Applications

The special properties of magnetic latching contactors make them suitable for a large number of applications.

Properties

- Retention of the sequence memory in automatic control equipment in the event of loss of control voltage.
- Energy saving, since the source of supply to the coil does not need to supply current when the contactor is latched in the closed state.
- Change of state from "Closed" to "Open" by current signal through the coil.
- Unaffected by mains interference.
- Utilisation of contactors beyond their breaking capacity, as operations are performed off-load.
- Contactors are silent in the latched position.

Applications

- Refineries, power stations, excitation circuits.
 - Contactors remaining in the closed state for long periods.
- Examples: refineries, power supplies, low voltage distribution.
- Selective opening control.
 - No unwanted opening and closing of the main power poles.
 - Current carrying at voltages up to 1000 Volts.

Operation of the electromagnet

CR1F block contactors

CR1F magnetic latching contactors are fitted with a double coil with 3 terminals comprising a latching winding and an unlatching winding. The 2 windings have a common point which can necessitate special wiring precautions when the latching supply is separate from the unlatching supply.

The power supplies may be a.c. or d.c. For d.c. operation, the polarities indicated must be complied with.

Operating precautions:

- the 2 windings must not be supplied simultaneously
- a winding must not be supplied continuously
- supply to the coils must be via pulsed contacts.

Manual opening:

if the control voltage is not present, the contactor can be unlatched manually.

Latching is obtained by direct supply of the coil in one direction of current flow.

Unlatching is obtained by a reverse current, adjusted by resistors.

TeSys CR1F selection - Squirrel cage motor Direct On Line starter																	
Continuous or intermittent duty up to 30 operating cycles/hour																	
Motor ⁽¹⁾												3-pole contactor		3-pole differential thermal overload relay		3 fuses Type	
220 V 230 V			380 V 400 V			415 V			440 V			⁽²⁾	Reference	Setting range	aM	BS-88	
P	In		P	In		P	In		P	In							Reference
kW	HP	A	kW	HP	A	kW	HP	A	kW	HP	A		A	A	A		
25	35	85	-	-	-	-	-	-	-	-	-	CR1F150	LR9F5367	60...100	100	125	
30	40	103	51	70	98	55	75	100	59	80	97	CR1F150	LR9F5369	90...150	100	160	
33	45	113	55	75	105	-	-	-	-	-	-	CR1F150	LR9F5369	90...150	125	160	
-	-	-	59	80	112	59	80	105	63	85	109	CR1F150	LR9F5369	90...150	125	160	
-	-	-	63	85	117	63	85	115	-	-	-	CR1F150	LR9F5369	90...150	160	200	
37	50	126	75	100	138	75	100	135	75	100	125	CR1F150	LR9F5369	90...150	160	200	
40	54	134	-	-	-	-	-	-	80	110	131	CR1F185	LR9F5369	90...150	160	200	
45	60	150	80	110	147	80	110	138	90	125	146	CR1F185	LR9F5369	90...150	160	200	
51	70	170	90	125	170	90	125	165	100	136	162	CR1F185	LR9F5371	132...220	200	250	
55	75	182	-	-	-	100	136	182	-	-	-	CR1F265	LR9F5371	132...220	250	315	
59	80	195	100	138	188	110	150	200	110	150	178	CR1F265	LR9F5371	132...220	250	315	
63	85	203	110	150	205	-	-	-	129	175	209	CR1F265	LR9F7375	200...330	250	315	
75	100	240	129	175	242	129	175	230	132	180	215	CR1F265	LR9F7375	200...330	250	315	
-	-	-	132	180	245	132	180	240	-	-	-	CR1F265	LR9F7375	200...330	315	400	
-	-	-	-	-	-	140	190	250	140	190	227	CR1F265	LR9F7375	200...330	315	400	
80	110	260	140	190	260	147	200	260	147	200	236	CR1F400	LR9F7375	200...330	315	400	
-	-	-	147	200	273	150	205	270	150	205	246	CR1F400	LR9F7375	200...330	315	400	
-	-	-	150	205	280	160	220	280	160	220	256	CR1F400	LR9F7375	200...330	315	400	
90	125	295	160	220	300	-	-	-	180	245	289	CR1F400	LR9F7375	200...330	315	400	
-	-	-	-	-	-	-	-	-	185	250	295	CR1F400	LR9F7375	200...330	315	400	
100	136	325	180	245	333	180	245	320	200	270	321	CR1F400	LR9F7379	300...500	400	500	
110	150	356	185	250	342	185	250	325	220	300	353	CR1F400	LR9F7379	300...500	400	500	
-	-	-	200	270	370	200	270	340	250	340	401	CR1F400	LR9F7379	300...500	400	500	
-	-	-	-	-	-	220	300	385	-	-	-	CR1F500	LR9F7379	300...500	500	630	
129	175	420	220	300	408	-	-	-	257	350	412	CR1F500	LR9F7381	380...630	500	630	
132	180	425	250	340	460	250	340	425	280	380	450	CR1F500	LR9F7381	380...630	500	630	
140	190	450	-	-	-	257	350	450	-	-	-	CR1F500	LR9F7381	380...630	500	630	
147	200	472	-	-	-	-	-	-	295	400	473	CR1F500	LR9F7381	380...630	500	630	
-	-	-	257	350	475	280	380	475	300	410	481	CR1F630	LR9F7381	380...630	500	630	
-	-	-	-	-	-	295	400	500	-	-	-	CR1F630	LR9F7381	380...630	630	800	
150	205	483	280	380	510	300	410	510	315	430	505	CR1F630	LR9F7381	380...630	630	800	
160	220	520	295	400	546	315	430	535	335	450	518	CR1F630	LR9F7381	380...630	630	800	
180	245	578	300	410	565	335	450	550	355	480	549	CR1F630	LR9F7381	380...630	630	800	
185	250	595	315	430	584	355	480	580	375	500	575	CR1F630	LR9F7381	380...630	630	800	
200	270	626	335	450	620	375	500	610	400	454	611	CR1F630	LR9F7381	380...630	800	1000	
220	*	700	355	*	635	400	*	650	425	*	650	CR1BL33	LR9F7381	500...800	800	1000	
-	-	-	375	*	670	425	*	690	445	*	680	CR1BL33	LR9F7381	500...800	800	1000	
-	-	-	400	*	710	445	*	730	450	*	690	CR1BL33	LR9F7381	500...800	800	1000	
-	-	-	-	-	-	450	*	740	475	*	730	CR1BL33	LR9F7381	500...800	800	1000	
250	*	800	425	*	760	475	*	780	500	*	780	CR1BM33	LR9F7381	500...800	800	1000	
257	*	826	445	*	790	500	*	820	530	*	825	CR1BM33	LR9F7381	630...1000	1000	1250	
280	*	900	450	*	800	530	*	870	560	*	870	CR1BM33	LR9F7381	630...1000	1000	1250	
295	*	948	475	*	850	560	*	920	600	*	920	CR1BM33	LR9F7381	630...1000	1000	1250	
300	*	980	500	*	900	600	*	978	630	*	965	CR1BM33	LR9F7381	630...1000	1000	1250	
315	*	990	530	*	950	630	*	978	630	*	965	CR1BM33	LR9F7381	630...1000	1000	1250	

(1) The ratings are for standard 220/230 V, 380/400 V, 415 or 440 V motors. The overload relays should preferably be set to the motor full-load current shown on the motor rating plate. For other power ratings, select the overload relay with the appropriate range; the associated contactor and fuses must have ratings equal to or immediately greater than In.

(2) Reference to be completed, see page B9/79.

* There are no standard power ratings for these motors.

Ref.



High power contactors

Rated operational current in AC-3 ($\theta \leq 55^\circ\text{C}$)

Contactor size		CR1F 150	CR1 F185	CR1F 265	CR1F 400	CR1 F500	CR1F 630	CR1 BL	CR1 BM	CR1 BP	CR1 BR
440 V	A	150	185	265	400	500	630	750	1000	1500	1800
500 V	A	135	175	245	385	500	540	750	900	1200	1500
660/690 V	A	130	140	230	365	435	470	700	800	900	1100
1000 V	A	47	73	95	135	270	330	400	400	500	600

Rated operational power (standard motor power ratings)

220...240 V	kW	40	55	75	110	147	200	220	280	425	500
	HP	54	75	100	150	200	270	300	380	580	680
380...400 V	kW	75	90	132	200	250	335	400	500	750	900
	HP	100	185	180	270	340	450	545	680	1000	1220
415 V	kW	80	100	140	220	280	375	425	530	800	900
	HP	110	136	180	300	380	500	580	720	1100	1220
440 V	kW	80	100	140	250	295	400	450	560	800	900
	HP	110	136	190	340	400	545	610	760	1100	1220
500 V	kW	90	110	160	257	355	400	500	600	750	900
	HP	125	150	220	350	480	545	680	810	1000	1220
660/690 V	kW	100	110	160	280	335	450	560	670	750	900
	HP	–	–	–	–	–	610	760	910	1000	1220
1000 V	kW	65	100	147	185	335	450	530	530	670	750
	HP	–	136	200	250	–	610	720	720	910	1000

Maximum operating rate in operating cycles/hour, at rated operational power with an on-load factor = 85 %: 750 for CR1F150 to F265, 500 for CR1F400 to F630 and 120 for CR1 B.

Ref.



High power
contactors

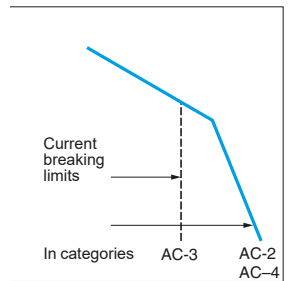
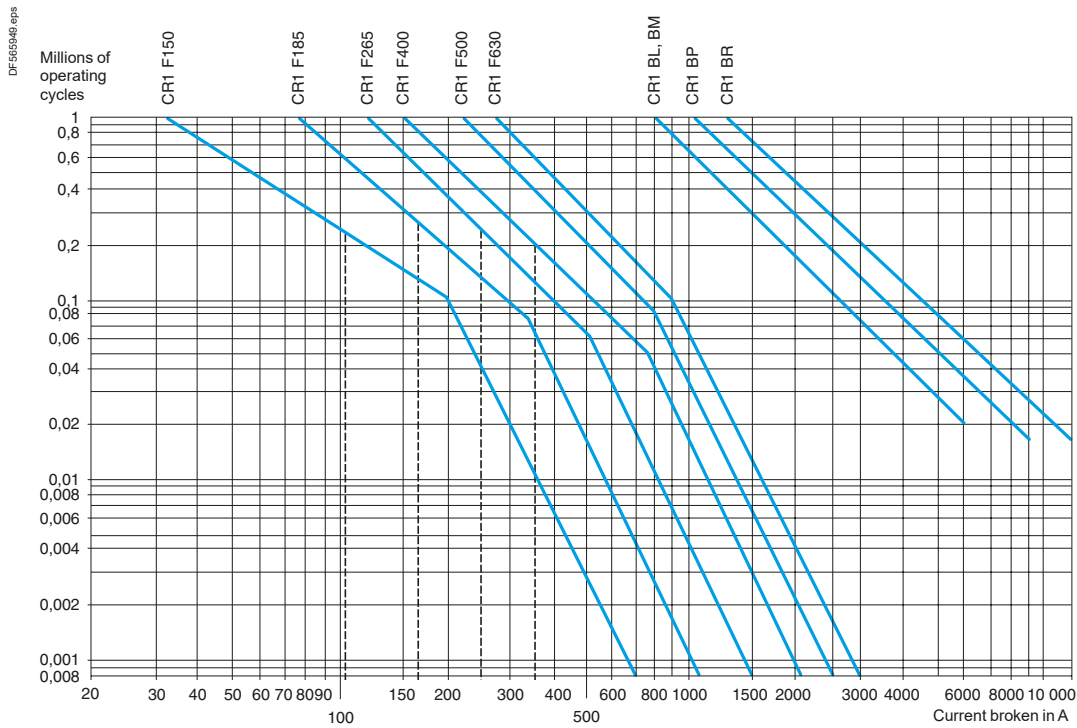
TeSys

TeSys CR1F Magnetic latching high power contactors

Characteristics - Durability (AC)

Use in category AC-3 ($U_e \leq 440 \text{ V}$) ⁽¹⁾ ($\theta \leq 55 \text{ °C}$)

The current (I_c) in AC-3 is equal to the rated operational current (I_e) drawn by the motor.



Example:

Asynchronous motor with $P = 50 \text{ kW}$, $U_e = 380 \text{ V}$, $I_e = 100 \text{ A}$, $I_c = I_e = 100 \text{ A}$, or asynchronous motor with $P = 55 \text{ kW}$, $U_e = 415 \text{ V}$, $I_e = 100 \text{ A}$, $I_c = I_e = 100 \text{ A}$.
600000 operating cycles required.

The above selection curves show the contactor rating needed, CR1F185.

⁽¹⁾ For 660 V, multiply the number of operating cycles by 0.8.

Ref.



High power contactors

TeSys

TeSys CR1F Magnetic latching high power contactors

Characteristics - Durability (AC)

Maximum operational current (on-load factor ≥ 0.95)

Maximum operating rate: 120 operating cycles/hour

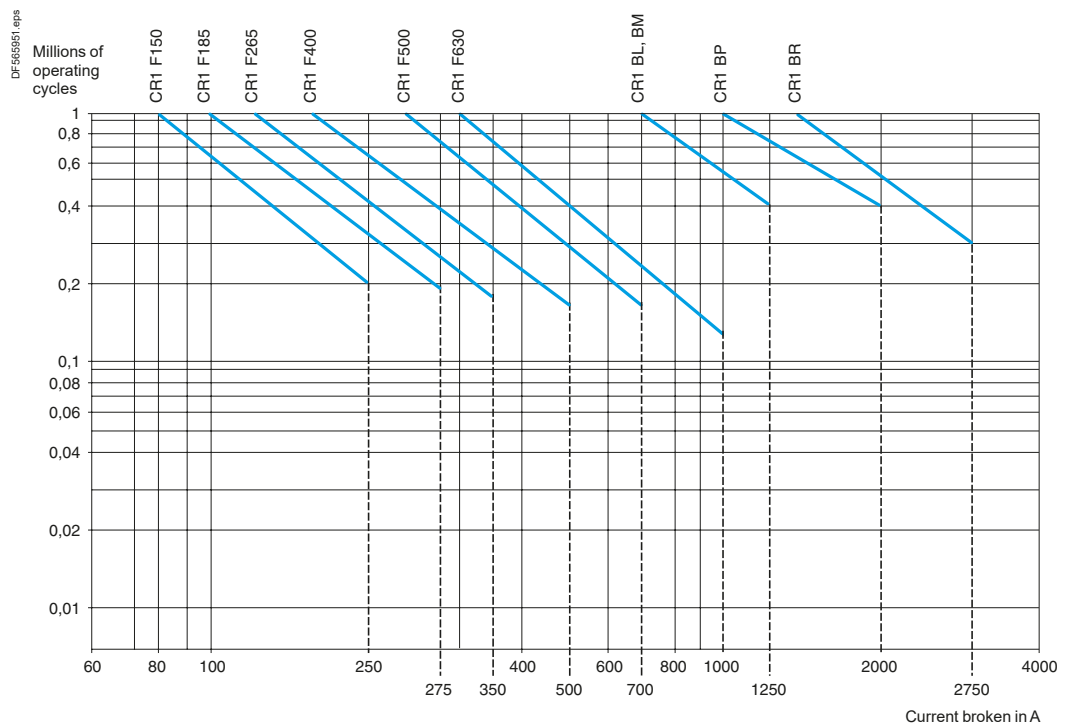
Contactor size		CR1 F150	CR1 F185	CR1 F265	CR1 F400	CR1 F500	CR1 F630	CR1 BL	CR1 BM	CR1 BP	CR1 BR	
Cable c.s.a.	mm ²	120	150	185	-	-	-	-	-	-	-	
Number of bars		-	-	-	2	2	2	2	2	3	4	
Bar c.s.a.	mm	-	-	-	30 x 5	40 x 5	60 x 5	50 x 5	80 x 5	100 x 5	100 x 5	
Operational current in category AC-1 at ambient temperature	$\leq 40\text{ }^{\circ}\text{C}$	A	250	275	350	500	700	1000	800	1250	2000	2750
	$\leq 55\text{ }^{\circ}\text{C}$	A	250	275	300	430	580	850	700	1100	1750	2400
	$\leq 70\text{ }^{\circ}\text{C}$	A	170	180	250	340	500	700	600	900	1500	2000

Increase in operational current by parallel connection of poles

Apply the following coefficients to the above currents; these coefficients take into account an often unbalanced distribution of current between the poles:

- 2 poles in parallel: K = 1.6
- 3 poles in parallel: K = 2.25
- 4 poles in parallel: K = 2.8.

Electrical durability (U_e \leq 440 V) ⁽¹⁾



Example:

U_e = 220 V - I_e = 200 A - θ = 40 °C - I_c = I_e = 200 A

600000 operating cycles required.

The above selection curves show the contactor rating needed, CR1F400.

⁽¹⁾ For 660 V, multiply the number of operating cycles by 0.8.



3-phase transformer primaries switching

Operating conditions

Maximum ambient temperature: 55 °C.

Maximum operational voltage: 1000 V, 50...60 Hz.

When a transformer is switched on, there is generally an initial current surge which reaches its peak value almost instantaneously and then decreases in a largely exponential manner to quickly reach its steady state value.

The value of this current depends on:

- the characteristics of the magnetic circuit and of the windings (cross sectional area of the core, rated inductance, number of turns, size of the windings, ...)
- the performance of the magnetic laminations used (residual induction and saturation inductance),
- the magnetic state of the circuit and the instantaneous value of the a.c. mains voltage at the moment of switch-on.

The peak current at the moment of switch-on can reach 20 to 40 times the rated current for the various kVA power ratings in the tables below. This value is independent of the “no-load” or “on-load” state of the transformer.

The peak magnetising current of the transformer must be lower than the values given in the tables below.

Contactor selection											
Maximum operating rate: 120 operating cycles/hour											
Contactor size		CR1 F150	CR1 F185	CR1 F265	CR1 F400	CR1 F500	CR1 F630	CR1 BL	CR1 BM	CR1 BP	CR1 BR
Maximum permissible current peak at switch-on	A	1700	2800	3500	5500	6800	9000	18 000	18 000	24 000	30 000
Maximum operational power ⁽¹⁾	220...230 V	kVA 25	40	50	75	100	140	230	230	300	380
	380...400 V	kVA 50	75	90	130	170	225	400	400	530	660
	415...440 V	kVA 55	80	100	140	190	250	450	450	560	700
	500 V	kVA 65	95	110	170	225	280	480	480	600	750
	660 V	kVA 80	120	140	200	270	315	600	600	800	950
	1000 V	kVA 100	150	200	250	375	470	700	700	1000	1200

⁽¹⁾ Maximum operational power corresponding to a current peak at switch-on of 30 In.

Ref.



High power contactors

Environment						
Contactor type			CR1F150	CR1F185	CR1F265	
Rated insulation voltage (Ui)	Conforming to IEC 60158-1, BS 775, 60947-4	V	1000	1000	1000	
Ambient air temperature around the device	Storage	°C	-60...+80			
	For operation at Uc	°C	-15...+70			
Maximum operating altitude	Without derating	m	3000			
Operating positions	Without derating		±5 ° in relation to normal vertical mounting plane			
Pole characteristics						
Number of poles			3 or 4	3 or 4	3 or 4	
Rated operational current (Ie) (Ue ≤ 440 V)	In AC-3, θ ≤ 40 °C	A	150	185	265	
	In AC-1, θ ≤ 40 °C	A	250	275	350	
	In AC-4, θ ≤ 40 °C	A	138	170	245	
Rated operational voltage (Ue)	Up to	V	1000	1000	1000	
Frequency limits (sine wave)	Of the operational current	Hz	25...200	25...200	25...200	
Rated making capacity	I rms	A	1700	2100	2940	
Rated breaking capacity	I rms	220...440 V	A	1500	1800	2450
		500 V	A	1200	1600	2200
		660/690 V	A	1100	1200	1700
		1000 V	A	450	600	800
Permissible short time rating from cold state, with no current flowing for previous 60 minutes at θ ≤ 40 °C	For 1 s	A	1200	1500	2200	
	For 5 s	A	1200	1500	2200	
	For 10 s	A	1200	1500	2200	
	For 30 s	A	700	920	1230	
	For 1 min	A	600	740	950	
	For 3 min	A	450	500	620	
	For 10 min	A	350	400	480	
Short-circuit protection by fuses θ ≤ 440 V	Motor circuit AC-3 (type aM)	A	160	200	315	
	AC-1 circuit (type gG, BS 88)	A	250	315	400	
Average impedance per pole	At Ith and 50 Hz	mΩ	0.45	0.36	0.32	
Power dissipated per pole for the above operational currents	AC-3	W	6	12	22	
	AC-1	W	18	26	39	
Connection	Number of conductors		1	1	1	
	Cable with lugs	mm ²	120	150	240	
	Cable with connector	mm ²	120	150	240	
	Number of bars		2	2	2	
	Bar c.s.a.	mm	25 x 3	25 x 3	32 x 4	
	Bolt diameter		Ø8	Ø8	Ø10	
	Tightening torque	N.m	18	18	35	

Ref.



High power contactors

Characteristics

CR1F400	CR1F500	CR1F630	CR1BL	CR1BM	CR1BP	CR1BR
1000	1000	1000	1000	1000	1000	1000
-60...+80			-60...+80			
-15...+70			-15...+60			
3000			3000			
±5° in relation to normal vertical mounting plane			±5° in relation to normal vertical mounting plane			
3 or 4	3 or 4	3 or 4	1, 2, 3 or 4	1, 2, 3 or 4	1, 2, 3 or 4	1, 2, 3 or 4
400	500	630	750	1000	1500	1800
500	700	1000	800	1250	2000	2750
370	460	560	700	800	1250	1500
1000	1000	1000	1000	1000	1000	1000
25...200	25...200	25...200	50...60	50...60	50...60	50...60
4500	5000	6740	10 000	10 000	15 000	18 000
4000	5000	6300	10 000	10 000	15 000	18 000
3500	4500	5400	9000	9000	12 000	15 000
3000	3560	4600	8000	8000	9000	11 000
1200	2500	3200	4000	4000	5000	6000
3600	4200	5050	9600	9600	12 000	15 000
3600	4200	5050	9600	9600	12 000	15 000
3600	4200	5050	7000	8000	9600	12 000
2400	3200	4400	4800	5200	6400	8000
1700	2400	3400	3500	3800	5200	6300
1200	1500	2200	2100	2400	3600	4400
1000	1200	1600	1200	1800	2800	3600
400	500	630	800	1200	800 x 2 ⁽¹⁾	1000 x 2 ⁽¹⁾
500	800	1000	800	1200	1000 x 2 ⁽¹⁾	1200 x 2 ⁽¹⁾
0.28	0.18	0.12	0.18	0.18	0.13	0.09
45	45	48	88	180	290	360
70	88	120	115	280	520	680
2	2	–	–	–	–	–
150	240	–	–	–	–	–
–	–	–	–	–	–	–
2	2	2	2	2	3	4
30 x 5	40 x 5	60 x 5	50 x 5	80 x 5	100 x 5	100 x 10
Ø10	Ø10	Ø12	4 x Ø8	4 x Ø10	4 x Ø10	4 x Ø10
35	35	58	21	35	35	35

(1) Paralleling of poles must be carried out only in accordance with the fuse manufacturer's recommendations.

a.c. and d.c. control circuit characteristics				CR1F150	CR1F185	CR1F265	
Rated control circuit voltage (Uc)	~ 50 or 60 Hz		V	48...415			
	~ 400 Hz		V	48...220			
	---		V	48...220			
	--- low consumption		V	48...220			
Control voltage limits ~ and ---	Latching			0.85...1.1 Uc			
	Unlatching			0.85...1.1 Uc			
Maximum operating rate at ambient temperature ≤ 40 °C	In operating cycles per hour			120			
Mechanical durability	In millions of operating cycles			1			
Average consumption 50/60 Hz	Latching	1-pole	VA	–	–	–	
		2-pole	VA	–	–	–	
		3-pole	VA	1100	1600	1650	
		4-pole	VA	100	1600	1650	
	Unlatching	1-pole	VA	–	–	–	
		2-pole	VA	–	–	–	
		3-pole	VA	7.3	8	9	
		4-pole	VA	7.3	8	9	
	400 Hz and ---	Latching	1-pole	VA	–	–	–
			2-pole	VA	–	–	–
			3-pole	VA	1260	1750	1800
			4-pole	VA	1260	1750	1800
		Unlatching	1-pole	VA	–	–	–
			2-pole	VA	–	–	–
			3-pole	VA	10	11	12
			4-pole	VA	10	11	12
--- low consumption	Latching	3/4-pole	W	500	500	500	
	Unlatching	3/4-pole	W	15	20	40	
Average operating time at Uc ⁽¹⁾	Latching		ms	35...40	35...40	45...50	
	Unlatching		ms	50...100	50...100	50...100	

(1) The closing time is measured from the moment the closing coil is energised to initial contact of the main poles. The opening time is measured from the moment the opening coil is energised to the moment the main poles separate.

Note: the arcing time depends on the circuit switched by the main poles. For 3-phase applications the arcing time is usually less than 10 ms. The load is isolated from the supply after a time equal to the sum of the opening time and the arcing time.

Auxiliary contact characteristics			
Type of contacts		LADN for contactors CR1F	
Conventional thermal current	A	10	
Rated insulation voltage (Ui)	Conforming to IEC 60947-5-1	V	690
Connection	Flexible or solid conductor with or without cable end	mm ²	1 x 1 min; 2 x 2.5 max
Operational power of contacts LADN for contactors CR1F		a.c. supply	d.c. supply
		Electrical durability (valid for up to 3600 operating cycles/hour) on an inductive load such as the coil of an electromagnet: making current (cos φ 0.7) = 10 times the power broken (cos φ 0.4).	Electrical durability (valid for up to 1200 operating cycles/hour) on an inductive load such as the coil of an electromagnet, without economy resistor, the time constant increasing with the load.
		V 48 115 230 400 600	V 48 125 250 440
1 million operating cycles		VA 120 280 560 960 1440	W 90 75 68 61
Occasional making capacity		VA 2600 7000 13 000 15 000 9000	W 700 400 260 220



CR1F400	CR1F500	CR1F630	CR1BL	CR1BM	CR1BP	CR1BR
48...415			110...500			
48...220			110...500			
48...220			110...500			
48...220			–			
0.85...1.1 Uc			0.85...1.1 Uc			
0.85...1.1 Uc			0.85...1.1 Uc			
120			120			
1			1			
–	–	–	650	650	650	650
–	–	–	1100	1100	1100	1100
1450	1650	2100	1650	1650	1650	1650
1450	1650	2100	1850	1850	1850	1850
–	–	–	110	110	110	110
–	–	–	125	125	125	125
12	9.5	8	165	165	165	165
12	9.5	8	175	175	175	175
–	–	–	600	600	600	600
–	–	–	1000	1000	1000	1000
1600	1800	2300	1500	1500	1500	1500
1600	1800	2300	1700	1700	1700	1700
–	–	–	100	100	100	100
–	–	–	115	115	115	115
16	13	11	150	150	150	150
16	13	11	160	160	160	160
500	550	620	–	–	–	–
70	60	45	–	–	–	–
40...75	40...80	40...80	100...150	100...150	100...150	100...150
50...100	50...100	50...100	20...40	20...40	20...40	20...40

(1) The closing time is measured from the moment the closing coil is energised to initial contact of the main poles. The opening time is measured from the moment the opening coil is energised to the moment the main poles separate.

Note: the arcing time depends on the circuit switched by the main poles. For 3-phase applications the arcing time is usually less than 10 ms. The load is isolated from the supply after a time equal to the sum of the opening time and the arcing time.

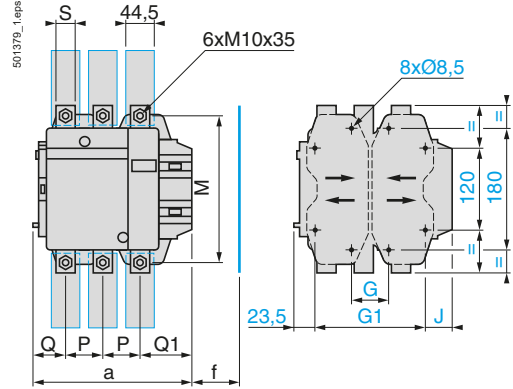
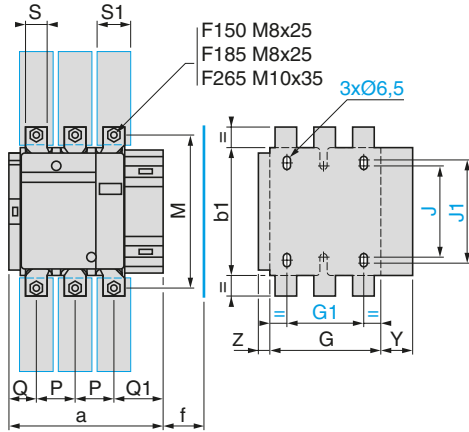
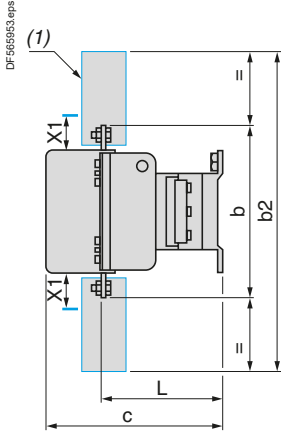
LADN for contactors CR1F	ZC4GM for contactors CR1B												
10	20												
690	660												
1 x 1 min; 2 x 2.5 max	2 min; 4 max												
Operational power of contacts ZC4GM for contactors CR1 B	a.c. supply Electrical durability (valid for up to 2400 operating cycles/hour) on an inductive load such as the coil of an electromagnet: making current ($\cos \varphi 0.7$) = 10 times the power broken ($\cos \varphi 0.4$).												
	d.c. supply Electrical durability (valid for up to 1200 operating cycles/hour) on an inductive load such as the coil of an electromagnet, without economy resistor, the time constant increasing with the load.												
	<table border="1"> <thead> <tr> <th>V</th> <th>110</th> <th>220</th> <th>380</th> <th>415</th> <th>500</th> </tr> </thead> <tbody> <tr> <td></td> <td>127</td> <td></td> <td></td> <td>440</td> <td></td> </tr> </tbody> </table>	V	110	220	380	415	500		127			440	
V	110	220	380	415	500								
	127			440									
1 million operating cycles	<table border="1"> <thead> <tr> <th>VA</th> <th>2000</th> <th>4000</th> <th>4000</th> <th>4000</th> <th>3500</th> </tr> </thead> <tbody> <tr> <td></td> <td></td> <td></td> <td></td> <td></td> <td></td> </tr> </tbody> </table>	VA	2000	4000	4000	4000	3500						
VA	2000	4000	4000	4000	3500								
Occasional making capacity	<table border="1"> <thead> <tr> <th>W</th> <th>250</th> <th>250</th> <th>230</th> <th>200</th> </tr> </thead> <tbody> <tr> <td></td> <td></td> <td></td> <td></td> <td></td> </tr> </tbody> </table>	W	250	250	230	200							
W	250	250	230	200									
	<table border="1"> <thead> <tr> <th>V</th> <th>110</th> <th>120</th> <th>440</th> <th>500</th> </tr> </thead> <tbody> <tr> <td></td> <td></td> <td></td> <td></td> <td></td> </tr> </tbody> </table>	V	110	120	440	500							
V	110	120	440	500									
	<table border="1"> <thead> <tr> <th>W</th> <th>1600</th> <th>800</th> <th>400</th> <th>360</th> </tr> </thead> <tbody> <tr> <td></td> <td></td> <td></td> <td></td> <td></td> </tr> </tbody> </table>	W	1600	800	400	360							
W	1600	800	400	360									

CR1F150 to F500

Common side view

CR1F150, F185, F265

CR1F400, F500



CR1	F150		F185		F265	
	3P	4P	3P	4P	3P	4P
a	163.5	201.5	168.5	208.5	201.5	244.5
b	170	170	174	174	203	203
b1	137	137	137	137	145	145
b2	301	301	305	305	370	370
c	171	171	181	181	213	213
f	131	131	130	130	147	147
G	106	143	111	151	142	190
G1	80	80	80	80	96	96
J	106	106	106	106	106	106
J1	120	120	120	120	120	120
L	107	107	113.5	113.5	141	141
M	150	150	154	154	178	178
P	40	40	40	40	48	48
Q	26	26	29	29	39	34
Q1	57.5	55.5	59.5	59.5	66.5	66.5
S	20	20	20	20	25	25
S1	27	27	34	34	38	38
Y	44	44	38.5	30.5	30.5	21.5
Z	13.5	13.5	13.5	13.5	15.5	15.5

f = minimum distance required for coil removal.

X1: Minimum electrical clearance according to operational voltage and breaking capacity.

Voltage in V	200...500	660...1000
CR1F150	10	15
CR1F185	10	15
CR1F265	10	15

CR1	F400		F500	
	3P	4P	3P	4P
a	213	261	233	288
b	206	206	238	238
b2	375	375	400	400
c	219	219	232	232
f	146	146	150	150
G supplied 80	80	80	140	140
G max.	102	150	120	175
G1 supplied 170	170	170	230	230
G1 min.	156	156	156	156
G1 max.	192	240	210	265
J	12	60	32	27
L	145	145	146	146
M	181	181	208	208
P	48	48	55	55
Q	43	43	47	47
Q1	74	74	77	77
S	25	25	30	30

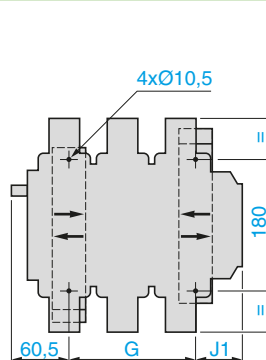
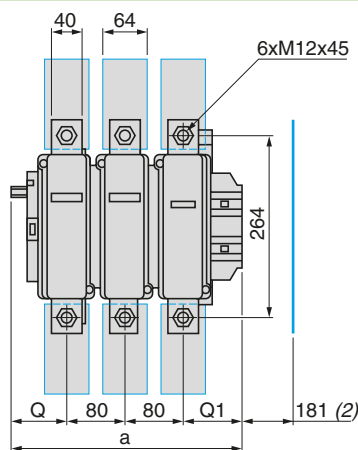
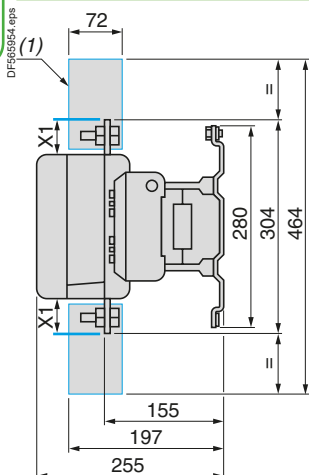
f = minimum distance required for coil removal.

X1: Minimum electrical clearance according to operational voltage and breaking capacity.

Voltage in V	200...500	660...1000
CR1F400	15	20
CR1F500	15	20

(1) Power terminal protection shroud (see page B9/14).

CR1F630



CR1F630	3P	4P
a	309	389
G supplied	180	240
G min.	100	150
G max.	195	275
J1	61	81
Q	60	60
Q1	89	89

X1: Min. electrical clearance according to operational voltage and breaking capacity.

Voltage in V	X1
200...500	20
690...1000	30

(1) Power terminal protection shroud.
(2) Minimum distance required for coil removal.

TeSys

TeSys CR1F Magnetic latching high power contactors

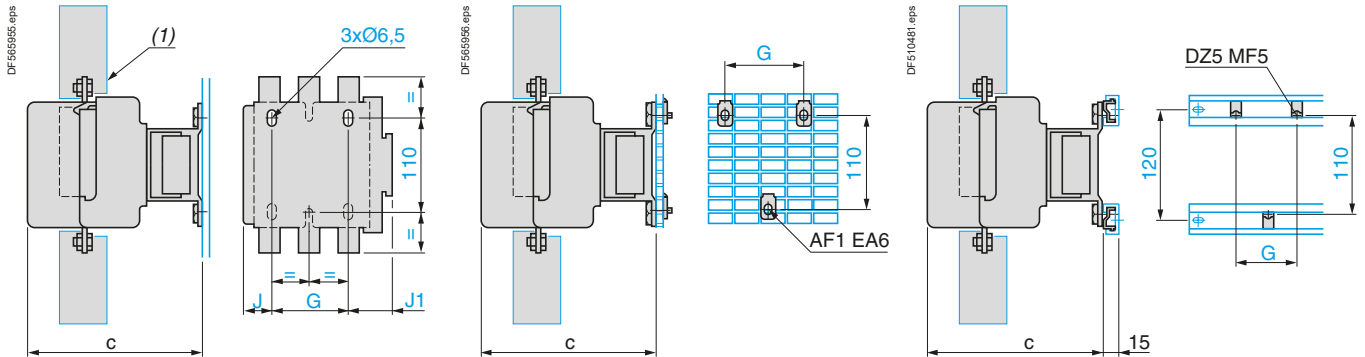
Mounting

CR1F150...F265

Panel mounted

On pre-slotted mounting plate AM1PA, PB, PC

On rails DZ5MB on 120 mm centres



CR1	F150	F185	F265
c	3P 171	181	213
	4P 171	181	213
G	3P 80	80	96
	4P 80	80	96
J	3P 26.5	29	44.5
	4P 45	49	68.5
J1	3P 57	59.5	61.5
	4P 75.5	79.5	85.5

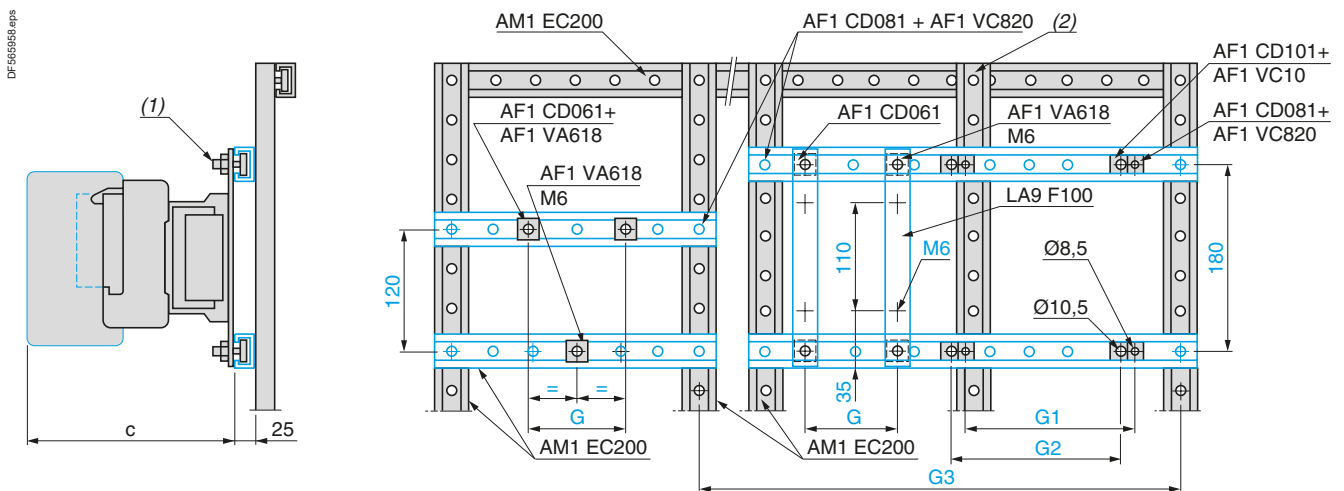
CR1	F150	F185	F265
c	3P 171	181	213
	4P 171	181	213
G	3P 80	80	96
	4P 80	80	96

CR1	F150	F185	F265
c	3P 171	181	213
	4P 171	181	213
G	3P 80	80	96
	4P 80	80	96

(1) Power terminal protection shroud (see page B9/14).

CR1F150...F650

On 2 notched uprights AM1EC●●●



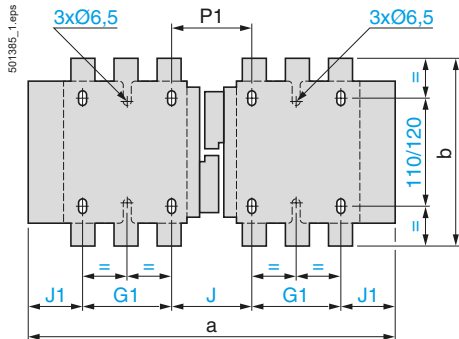
CR1	F150	F185	F265	F400	F500	F630
c	3P 171	181	213	213	226	250
	4P 171	181	213	213	226	250
G (M6)	3P 80	80	96	-	-	-
	4P 80	80	96	-	-	-
G1 (Ø8,5)	3P -	-	-	80	80	-
	4P -	-	-	80	140	-
G2 (Ø10,5)	3P -	-	-	-	-	180
	4P -	-	-	-	-	240

(1) AF1CD●●● or AF1VA●●●.

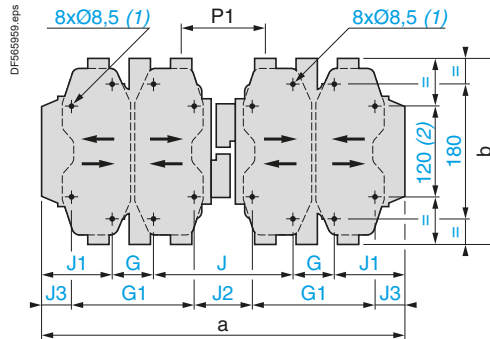
(2) This AM1EC200 upright is required when G2 or G3 is greater than 700 mm (please consult your Regional Sales Office).

Reversing contactors 2 x CR1F150...F265

Horizontally mounted



Reversing contactors 2 x CR1F400...F630



2 x CR1		F150	F185	F265
a	3P	345	357	425
	4P	422	437	521
b	3P	170	174	203
	4P	170	174	203
G1	3P	80	80	96
	4P	80	80	96
J	3P	71	78	109
	4P	111	118	157
J1	3P	57	59.5	61.5
	4P	75.5	79.5	85.5
P1	3P	71	78	100
	4P	71	78	100

2 x CR1		F400	F500	F630
a	3P	446	485	636
	4P	542	595	796
b	3P	206	238	304
	4P	206	238	304
G	3P	80	80	180
	4P	80	140	240
G1	3P	170	170	—
	4P	170	230	—
J	3P	157	156	139
	4P	157	156	139
J1	3P	64.5	84.5	68.5
	4P	112.5	79.5	68.5
J2	3P	67	66	—
	4P	67	66	—
J3	3P	19.5	39.5	—
	4P	67.5	34.5	—
P1	3P	107	112	137
	4P	107	112	137

(1) Except F630: 4 x Ø 10.5.

(2) Except F630: 180.

Ref.



High power contactors

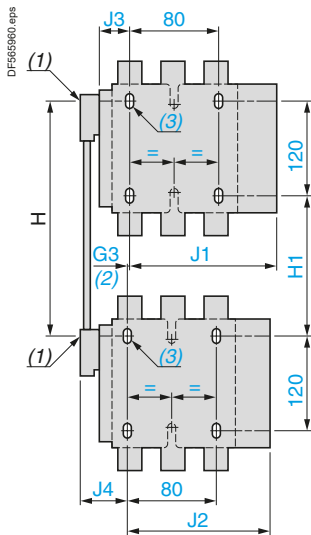
TeSys

TeSys CR1F Magnetic latching reversing contactors

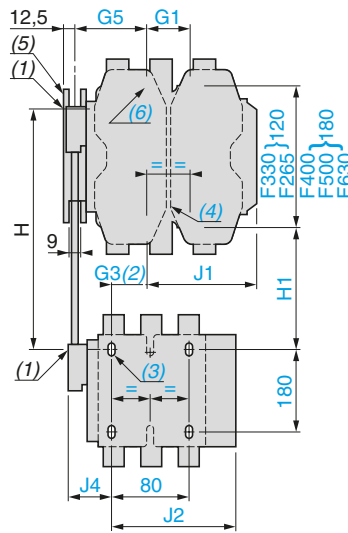
Mounting

Reversing contactors

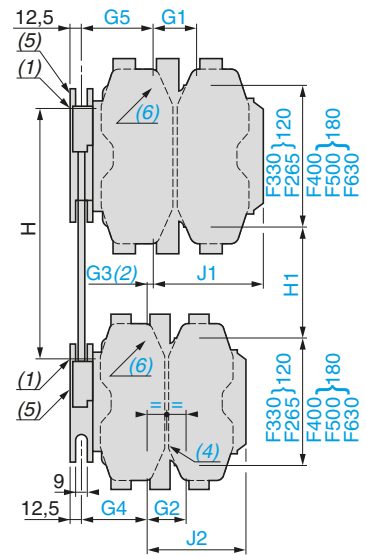
Vertically mounted with mechanical interlock **LA9F**...
 2 contactors **CR1F** of identical or different ratings (CR1F150...F630), see pages B9/81 and B9/81.
 Assembly A



Assembly B



Assembly C



- (1) Mechanical interlock shaft.
- (2) For assembly of contactors of different ratings only.
- (3) 3 x Ø6.5 mm for CR1F150...F265.
- (4) 3 x Ø6.5 mm for CR1F265.
- (5) Mechanical interlock guide bracket.
- (6) 4 x Ø8.5 mm for CR1F400, F500 or 4 x Ø10.5 mm.

Assembly type LA9F	A			B								C									
	F4F	G4F	G4G	H4F	J4F	K4F	L4F	H4G	J4G	K4G	L4G	H4H	J4H	K4H	L4H	J4J	K4J	L4J	K4K	L4K	L4L
G1	3P	-	-	96	80	80	180	96	80	80	180	96	80	80	180	80	80	180	80	180	180
	4P	-	-	96	80	140	240	96	80	140	240	96	80	140	240	80	140	240	140	240	240
G2	3P	-	-	-	-	-	-	-	-	-	-	96	96	96	96	80	80	80	80	80	180
	4P	-	-	-	-	-	-	-	-	-	-	96	96	96	96	80	80	80	140	140	240
G3	3P	0	3	0	21	45	45	35	19	42	42	0	0	0	9 ⁽⁷⁾	0	0	9 ⁽⁷⁾	0	9 ⁽⁷⁾	0
	4P	0	4	0	27	26	26	17	23	22	22	0	0	0	9 ⁽⁷⁾	0	0	9 ⁽⁷⁾	0	9 ⁽⁷⁾	0
G4	3P	-	-	-	-	-	-	-	-	-	-	60	60	60	60	83	83	83	83	83	74
	4P	-	-	-	-	-	-	-	-	-	-	83	83	83	83	83	83	83	83	83	74
G5	3P	-	-	-	60	83	83	74	60	83	83	60	83	83	74	83	83	74	83	74	74
	4P	-	-	-	83	83	83	74	83	83	83	83	83	83	74	83	83	74	83	74	74
H	min.	200	210	220	240	250	270	310	250	250	270	250	260	280	330	260	280	325	300	345	380
	max.	310	300	310	380	380	380	380	380	380	380	380	380	380	380	380	380	380	380	380	380
H1	min.	80	90	100	110	80	100	140	120	90	110	130	110	130	170	60	100	140	120	160	200
	max.	190	180	190	250	210	210	210	250	220	220	260	230	230	220	200	200	195	200	195	200
J1	3P	133	134	134	149.5	137	157	241	149.5	137	157	149.5	137	157	24	137	157	241	157	244	241
	4P	145	146	146	164.5	185	212	321	164.5	185	212	164.5	185	212	321	185	212	321	212	321	321
J2	3P	133	133	134	183	133	183	133	134	134	134	142.5	149.5	149.5	149.5	137	137	137	157	157	241
	4P	145	145	146	145	145	145	145	146	146	146	164.5	164.5	164.5	164.5	185	185	185	212	212	312
J3	3P	48.5	53	53	-	-	-	-	-	-	-	-	-	-	-	-	-	-	-	-	-
	4P	67	73	73	-	-	-	-	-	-	-	-	-	-	-	-	-	-	-	-	-
J4	3P	48.5	54	53	48.5	48.5	48.5	48.5	53	53	53	-	-	-	-	-	-	-	-	-	-
	4P	67	69	73	67	67	67	67	73	73	73	-	-	-	-	-	-	-	-	-	-

(7) In this case, G4 is greater than G5.

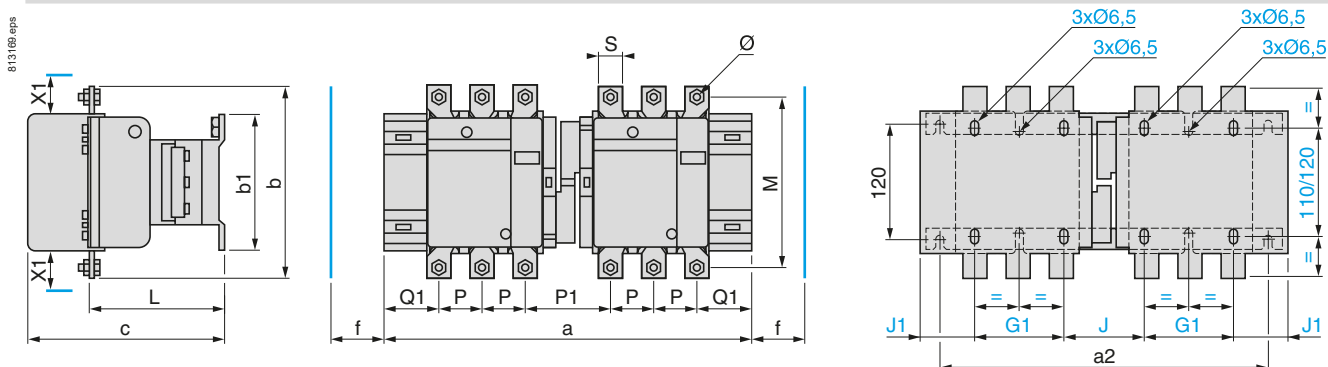
TeSys

TeSys F - Reversing and changeover contactors

Dimensions

Pre-assembled

LC2F115 to F265 (reverser supplied on 2 bars which can be used for fixing the device)



f - Minimum distance required for coil removal.

Bar fixing centres
Vertical: 120 mm
Horizontal: a_2 see table

X_1 (mm) = Minimum electrical clearance according to operating voltage and breaking capacity.

LC1	200...500 V	660...1000 V
F115, F150	10	15
F185	10	15
F225, F265	10	15

Ref.

LC2		a	a2	b	b1	c	G1	J	J1	L	M	P	P1	Q1	S	f	\emptyset
F115	3P	345	317	162	137	171	80	71	57	107	147	37	77	60	20	131	M6
	4P	419	378	162	137	171	80	108	75.5	107	147	37	77	60	20	131	M6
F150	3P	345	317	170	137	171	80	71	57	107	150	40	71	57	20	131	M8
	4P	422	381	170	137	171	80	111	75.5	107	150	40	71	55.5	20	131	M8
F185	3P	357	326	174	137	181	80	78	59.5	113.5	154	40	78	59.5	20	130	M8
	4P	437	390	174	137	181	80	118	79.5	113.5	154	40	78	59.5	20	130	M8
F225	3P	357	326	197	137	181	80	78	59.5	113.5	172	48	62	51.5	25	130	M10
	4P	437	390	197	137	181	80	118	79.5	113.5	172	48	54	47.5	25	130	M10
F265	3P	425	386	203	145	213	96	109	61.5	141	178	48	100	66.5	25	147	M10
	4P	521	464	203	145	213	96	157	85.5	141	178	48	100	66.5	25	147	M10

High power contactors

TeSys

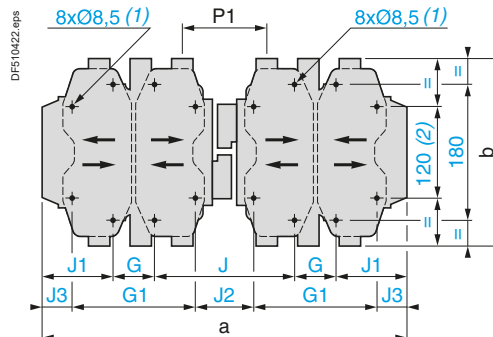
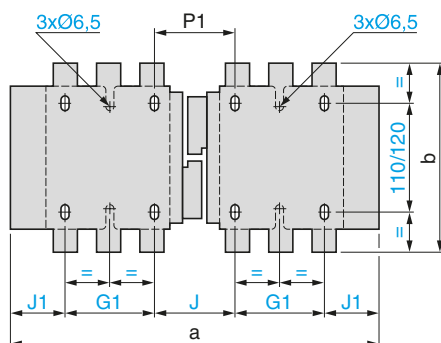
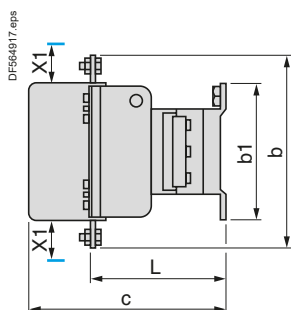
TeSys F - Reversing and changeover contactors

Dimensions

For customer assembly, fixing recommended on AM1EC uprights, please consult your Regional Sales Office.

2 x LC1F115 to F330

2 x LC1F400, F500, F630, F800



X1 (mm) = Minimum electrical clearance according to operating voltage and breaking capacity.

LC1	200...500 V	660...1000 V	200...690 V	1000 V
F115, F150	10	15	-	-
F185	10	15	-	-
F225, F265	10	15	-	-
F330	10	15	-	-
F400	15	20	-	-
F500	15	20	-	-
F630	20	30	-	-
F800	-	-	10	20

2 x LC1		a	b	b1	c	G	G1	J	J1	J2	J3	L	P1
F115	3P	345	162	137	171	-	80	71	57	-	-	107	77
	4P	419	162	137	171	-	80	108	75.5	-	-	107	77
F150	3P	345	170	137	171	-	80	71	57	-	-	107	71
	4P	422	170	137	171	-	80	111	75.5	-	-	107	71
F185	3P	357	174	137	181	-	80	78	59.5	-	-	113.5	78
	4P	437	174	137	181	-	80	118	79.5	-	-	113.5	78
F225	3P	357	197	137	181	-	80	78	59.5	-	-	113.5	62
	4P	437	197	137	181	-	80	118	79.5	-	-	113.5	54
F265	3P	425	203	145	213	-	96	109	61.5	-	-	141	100
	4P	521	203	145	213	-	96	157	85.5	-	-	141	100
F330	3P	447	206	145	219	-	96	124	65.5	-	-	145	107
	4P	543	206	145	219	-	96	172	89.5	-	-	145	107
F400	3P	446	206	209	219	80	170	157	64.5	67	19.5	145	107
	4P	542	206	209	219	80	170	157	112.5	67	67.5	145	107
F500	3P	485	238	209	232	80	170	156	84.5	66	39.5	146	112
	4P	595	238	209	232	140	230	156	79.5	66	34.5	146	112
F630	3P	636	304	280	255	180	-	139	68.5	-	-	155	137
	4P	796	304	280	255	240	-	139	88.5	-	-	155	137
F800	3P	636	304	280	255	180	-	139	68.5	-	-	155	137

(1) Except LC1F630 and F800: 4 x Ø10.5.

(2) Except LC1F630 and F800.

For other dimensions: see pages B9/54 and B9/55.

COORD.

Ref.



High power contactors

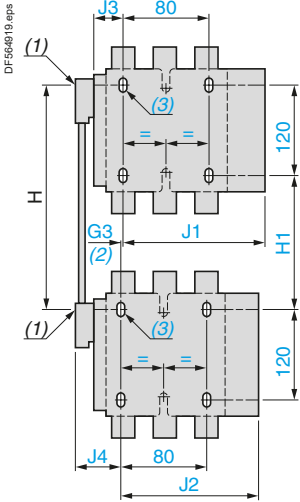
TeSys

TeSys F - Reversing and changeover contactors

Dimensions

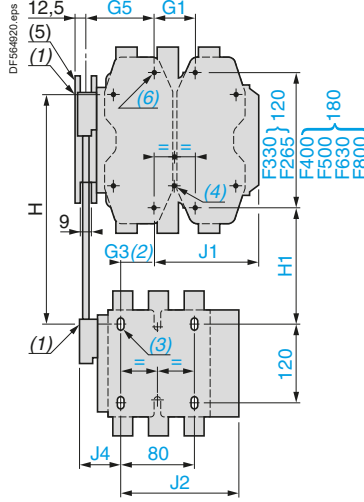
For customer assembly, with mechanical interlock (MI) **LA9F**, fixing recommended on AM1EC uprights (please consult your Regional Sales Office). 2 x LC1 identical or different ratings (**LC1F115 to F630 and F800**). See pages B9/34 to B9/37.

Assembly A



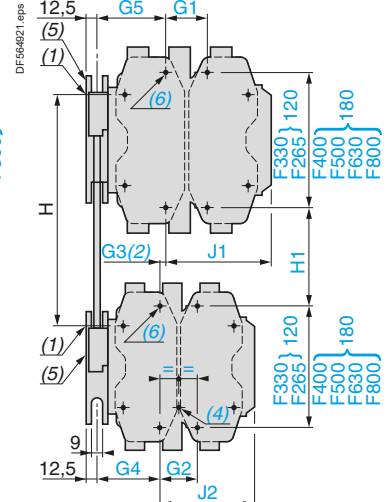
- (1) Mechanical interlock shaft.
- (2) For assembly of contactors of different ratings only.
- (3) 4 x Ø6.5 for LC1F115 to F225.

Assembly B



- (4) 4 x Ø6.5 for LC1F265.
- (5) Mechanical interlock guide bracket.

Assembly C



- (6) 4 x Ø8.5 for LC1F400, F500 or 4 x Ø10.5 for LC1F630 and F800.

Assembly A (7) - Mechanical interlock reference

	G3 3P	G3 4P	H min.	H max.	H1 min.	H1 max.	J1 3P	J1 4P
LA9FF4F	0	0	200	310	80	190	137	155.5
LA9FG4F	3	4	210	300	90	180	139.5	159.5
LA9FG4G	0	0	220	310	100	190	139.5	159.5
	J2 3P	J2 4P	J3 3P	J3 4P	J4 3P	J4 4P		
LA9FF4F	137	155.5	48.5	67	48.5	67		
LA9FG4F	137	155.5	53	73	54	69		
LA9FG4G	139.5	159.5	53	73	53	73		

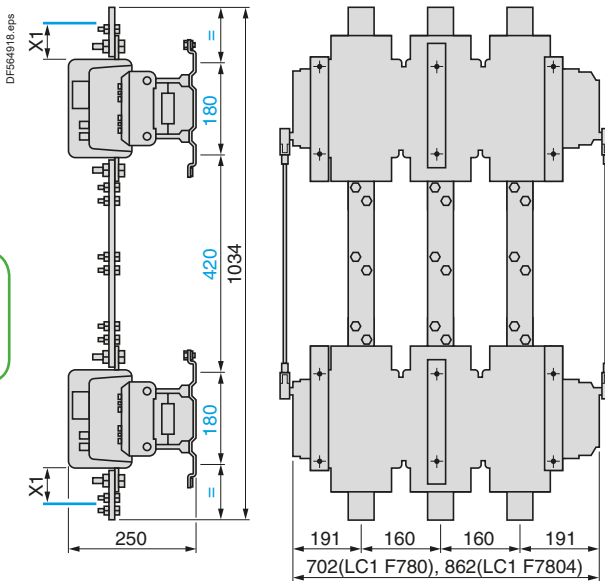
For customer assembly, fixing recommended on AM1EC uprights, please consult your Regional Sales Office.
2 x LC1F780

Assembly B (7) - Mechanical interlock reference

	G1 3P	G1 4P	G3 3P	G3 4P	G5 3P	G5 4P	H min.	H max.
LA9FH4F	96	96	21	27	60	83	240	380
LA9FJ4F	80	80	45	26	83	83	250	380
LA9FK4F	80	140	45	26	83	83	270	380
LA9FL4F	180	240	35	17	74	74	310	380
LA9FH4G	96	96	19	23	60	83	250	380
LA9FJ4G	80	80	42	22	83	83	250	380
LA9FK4G	80	140	42	22	83	83	270	380
LA9FL4G	180	240	33	13	74	74	310	380
	H1 min.	H1 max.	J1 3P	J1 4P	J2 3P	J2 4P	J4 3P	J4 4P
LA9FH4F	110	250	157.5	181.5	137	155.5	48.5	67
LA9FJ4F	80	210	144.5	192.5	137	155.5	48.5	67
LA9FK4F	100	210	164.5	219.5	137	155.5	48.5	67
LA9FL4F	140	210	248.5	328.5	137	155.5	48.5	67
LA9FH4G	120	250	157.5	181.5	139.5	159.5	53	73
LA9FJ4G	90	220	144.5	192.5	139.5	159.5	53	73
LA9FK4G	110	220	164.5	219.5	139.5	159.5	53	73
LA9FL4G	150	220	248.5	328.5	139.5	159.5	53	73

Assembly C (7)

	G1 3P	G1 4P	G2 3P	G2 4P	G3 3P	G3 4P	G4 3P	G4 4P	G5 3P	G5 4P
LA9FH4H	96	96	96	96	0	0	60	83	60	83
LA9FJ4H	80	80	96	96	23	0	60	83	83	83
LA9FK4H	80	140	96	96	23	0	60	83	83	83
LA9FL4H	180	240	96	96	14	9 ⁽⁸⁾	60	83	74	74
LA9FJ4J	80	80	80	80	0	0	83	83	83	83
LA9FK4J	80	140	80	80	0	0	83	83	83	83
LA9FL4J	180	240	80	80	9 ⁽⁸⁾	9 ⁽⁸⁾	83	83	74	74
LA9FK4K	80	140	80	140	0	0	83	83	83	83
LA9FL4K	180	240	80	140	9 ⁽⁸⁾	9 ⁽⁸⁾	83	83	74	74
LA9FL4L	180	240	180	240	0	0	74	74	74	74
	H min.	H max.	H1 min.	H1 max.	J1 3P	J1 4P	J2 3P	J2 4P		
LA9FH4H	250	380	130	260	157.5	181.5	157.5	181.5		
LA9FJ4H	260	380	110	230	144.5	192.5	157.5	181.5		
LA9FK4H	280	380	130	230	164.5	219.5	157.5	181.5		
LA9FL4H	330	380	170	220	248.5	328.5	157.5	181.5		
LA9FJ4J	260	380	60	200	144.5	192.5	144.5	192.5		
LA9FK4J	280	380	100	200	164.5	219.5	144.5	192.5		
LA9FL4J	325	380	140	195	248.5	329.5	144.5	192.5		
LA9FK4K	300	380	120	200	164.5	329.5	164.5	219.5		
LA9FL4K	345	380	160	195	248.5	328.5	164.5	219.5		
LA9FL4L	380	380	200	200	248.5	328.5	248.5	328.5		



High power contactors

X1 and fixings, see page B9/86.

(7) Only 3P for F800.

(8) In this case, G4 is greater than G5.

Coordination tables:
pages A6/34 to A6/59

References:
pages B9/34 to B9/39

Schemes:
pages B9/106 and B9/107

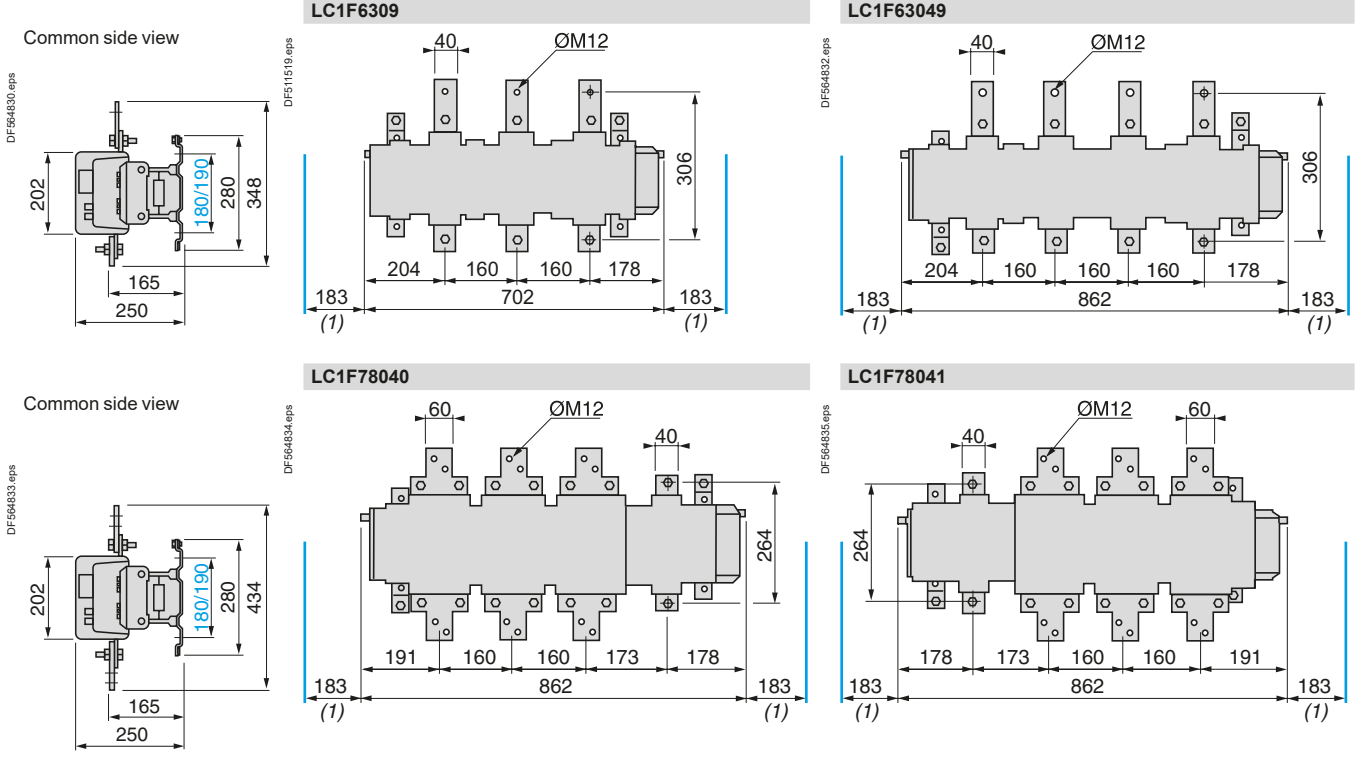
TeSys

TeSys F - Reversing and changeover contactors

Dimensions

Dimensions

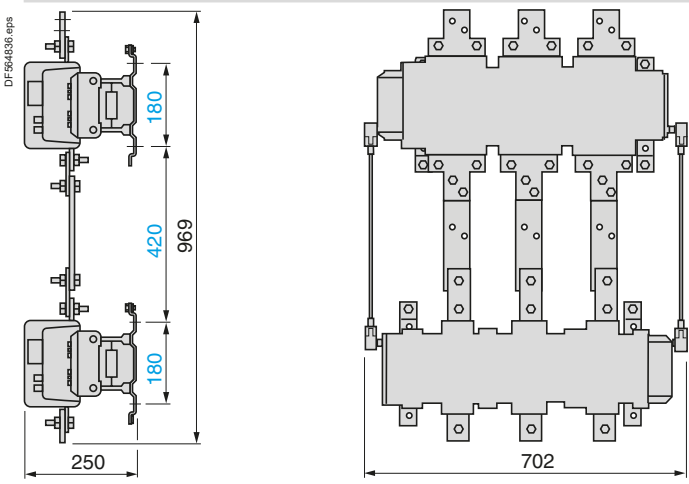
Contactors used to assemble high power changeover contactor pairs LC1F780: see page B9/41



(1) Minimum distance required for removal of each coil.

3-phase changeover contactor pairs

LC1F780 + LC1F780 + LA9FX970: see page B9/41
 LC1F780 + LC1F6309 + LA9FX970



References:
 page B9/41

Ref.
 High power contactors

TeSys

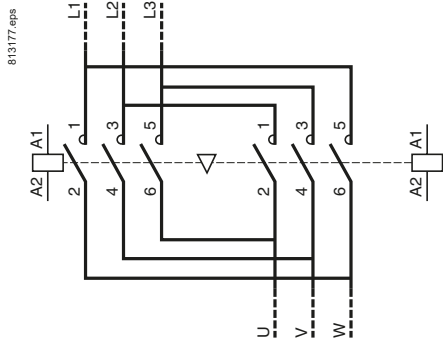
TeSys F - Reversing and changeover contactors

Schemes

Reversing contactors for motor control LC2F

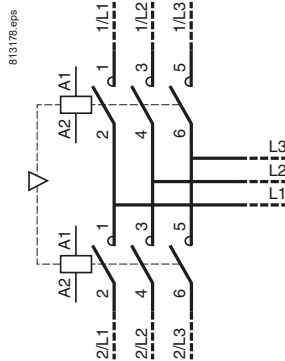
2 x LC1F

Horizontally mounted



2 x LC1F

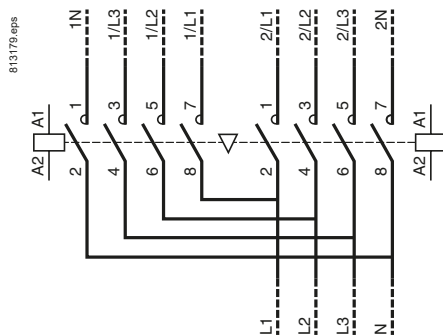
Vertically mounted



Changeover contactor pairs for distribution LC2F

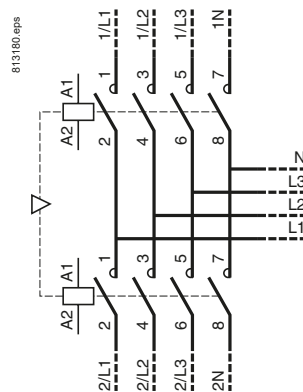
2 x LC1F

Horizontally mounted



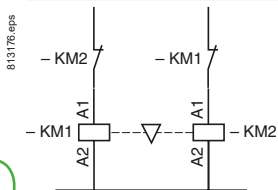
2 x LC1F

Vertically mounted



Electrical interlocking of reversers fitted with mechanical interlock without integral electrical contacts

LA9F



Ref.



High power contactors

TeSys

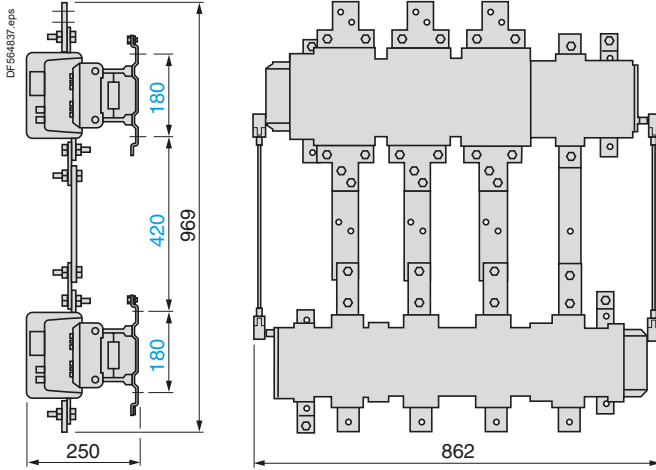
TeSys F - Reversing and changeover contactors

Dimensions, schemes

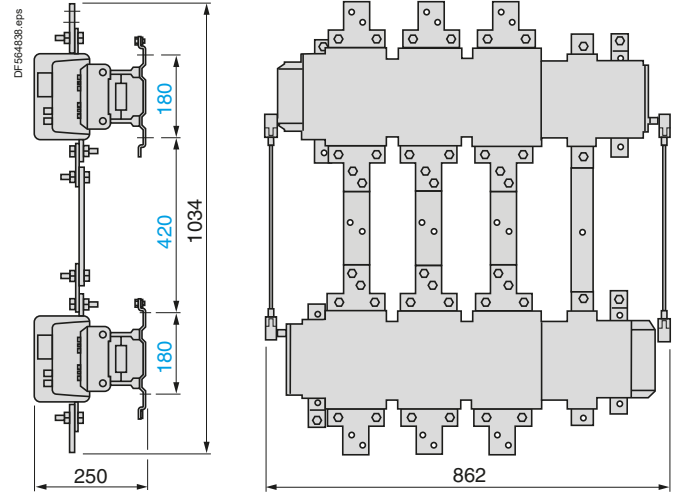
Dimensions

3-phase + neutral changeover contactor pairs

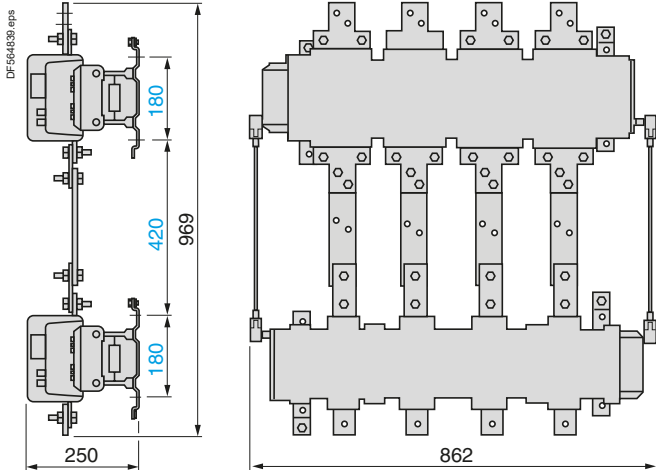
LC1F78041 + LC1F63049 + LA9FX970



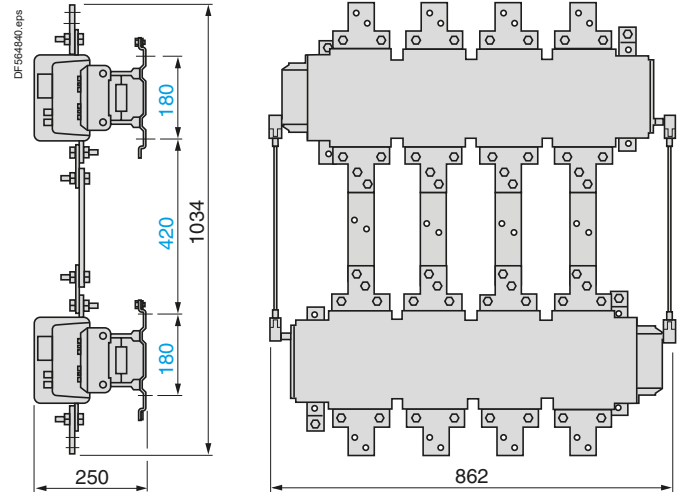
LC1F78041 + LC1F78040 + LA9FX970



LC1F7804 + LC1F63049 + LA9FX971



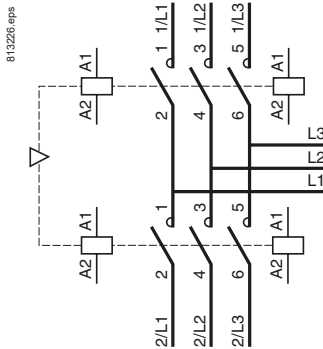
LC1F7804 + LC1F7804 + LA9FX971



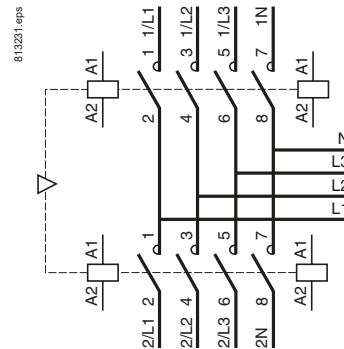
Ref.

Schemes

3-phase changeover contactor pairs



3-phase + neutral changeover contactor pairs



High power contactors

<https://sid1.hu/>

High power
contactors